

Broil King®



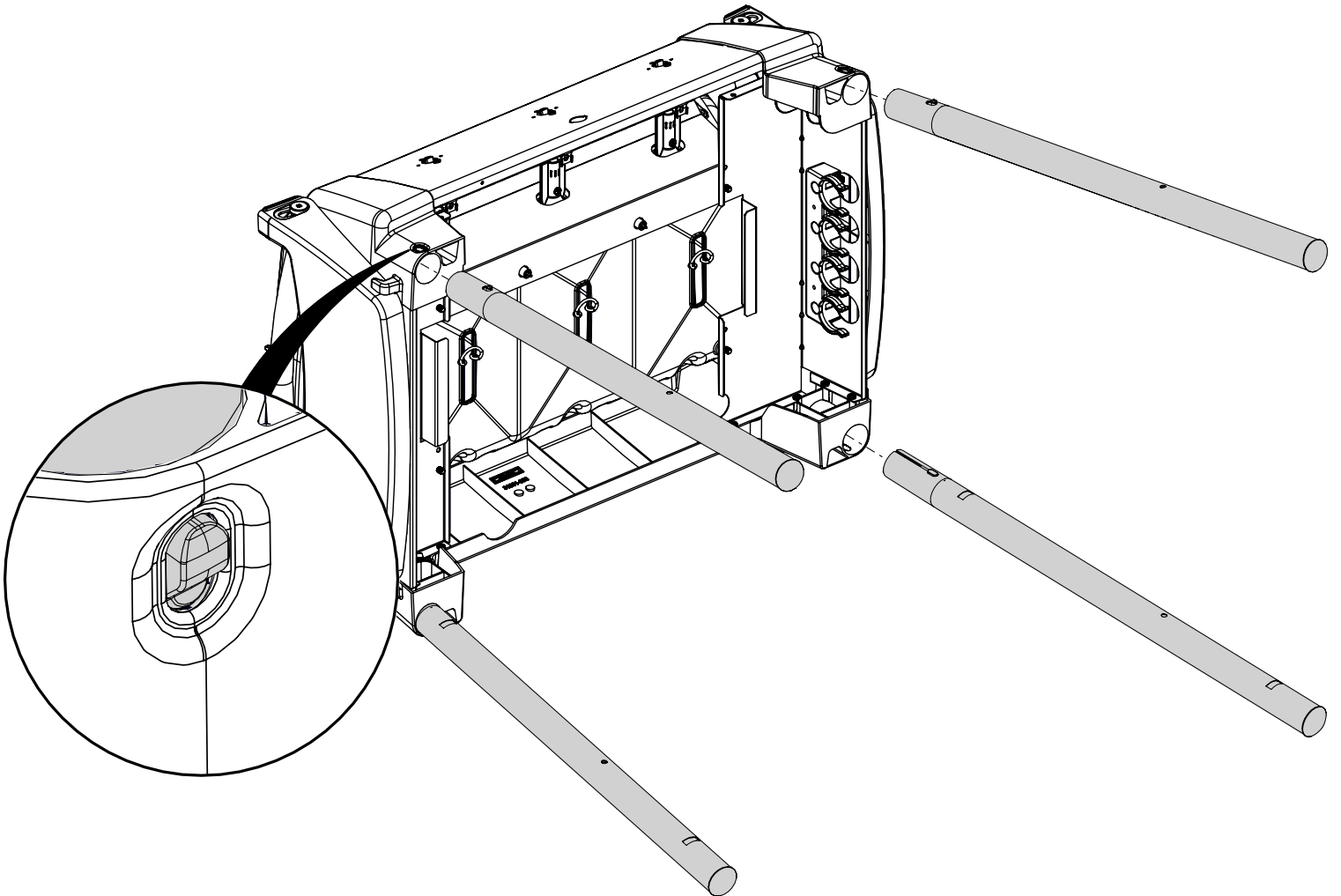
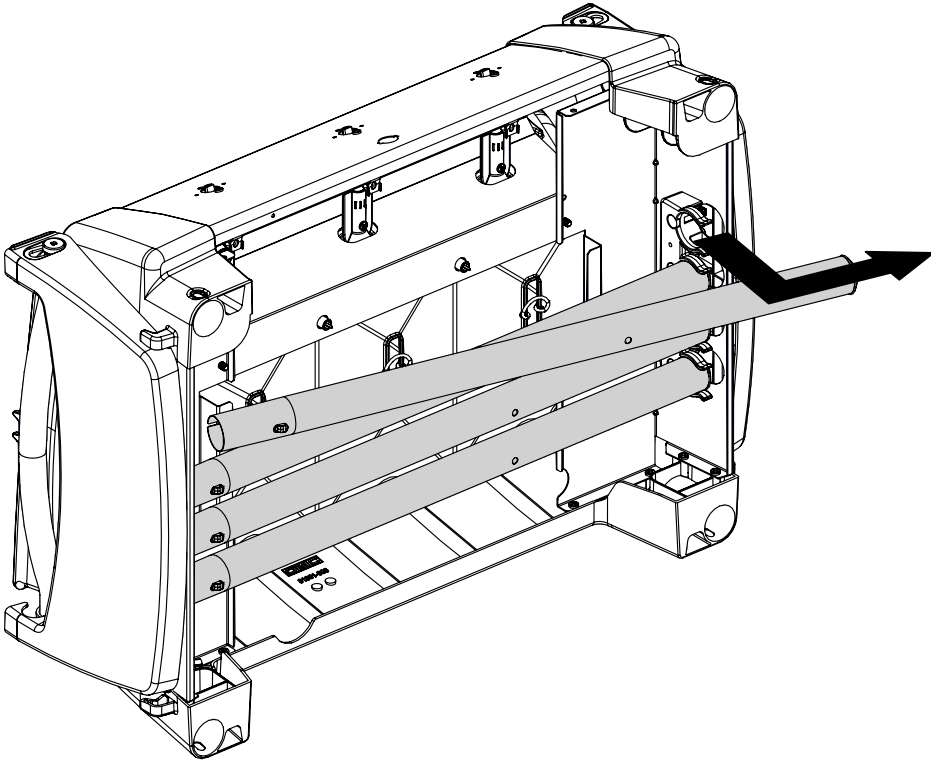
Broil King
PORTA-CHEF 320
9526-53NZ

Onward
MANUFACTURING COMPANY
585 KUMPF DRIVE
WATERLOO, ONTARIO, CANADA
N2V 1K3

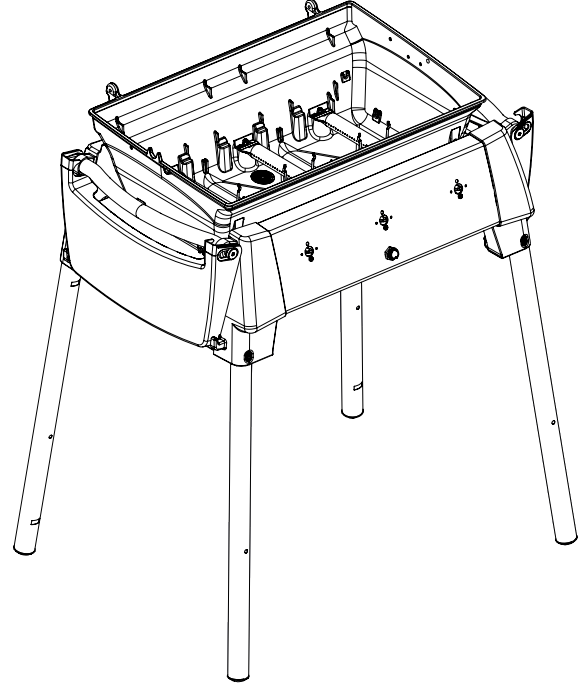
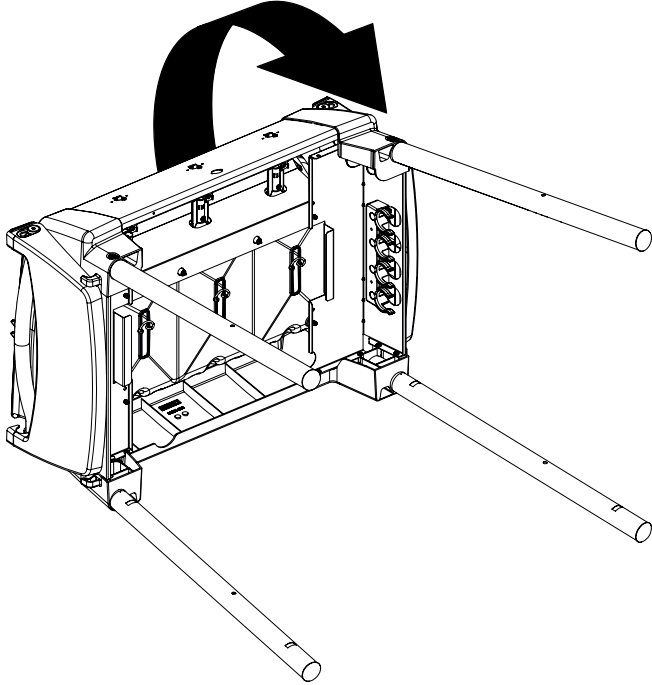
SINCE 1906
LIMITED

10084-E25NZ REV C 04/21

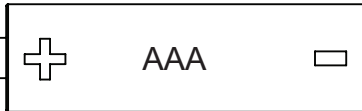
1

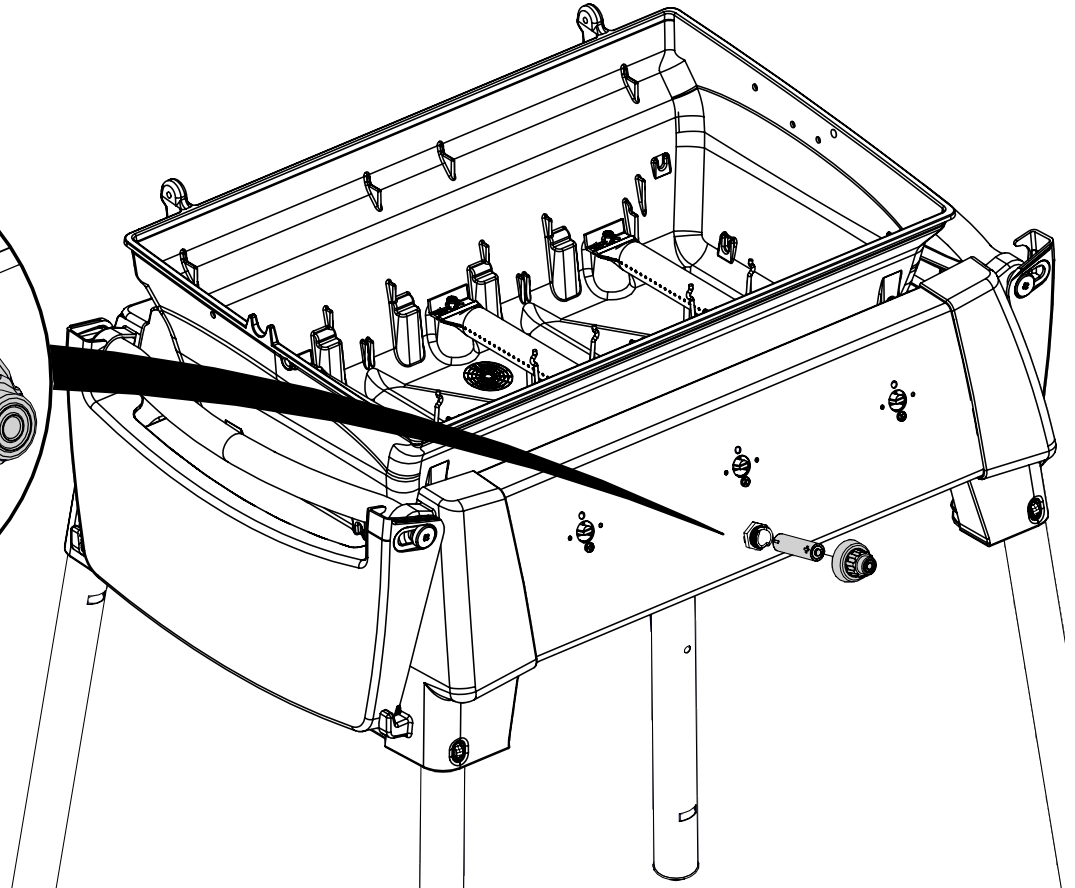
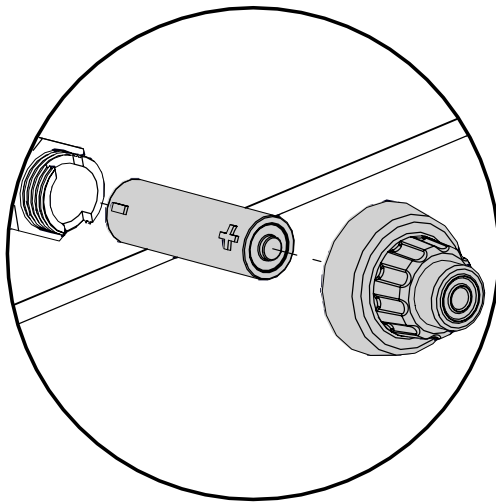


2

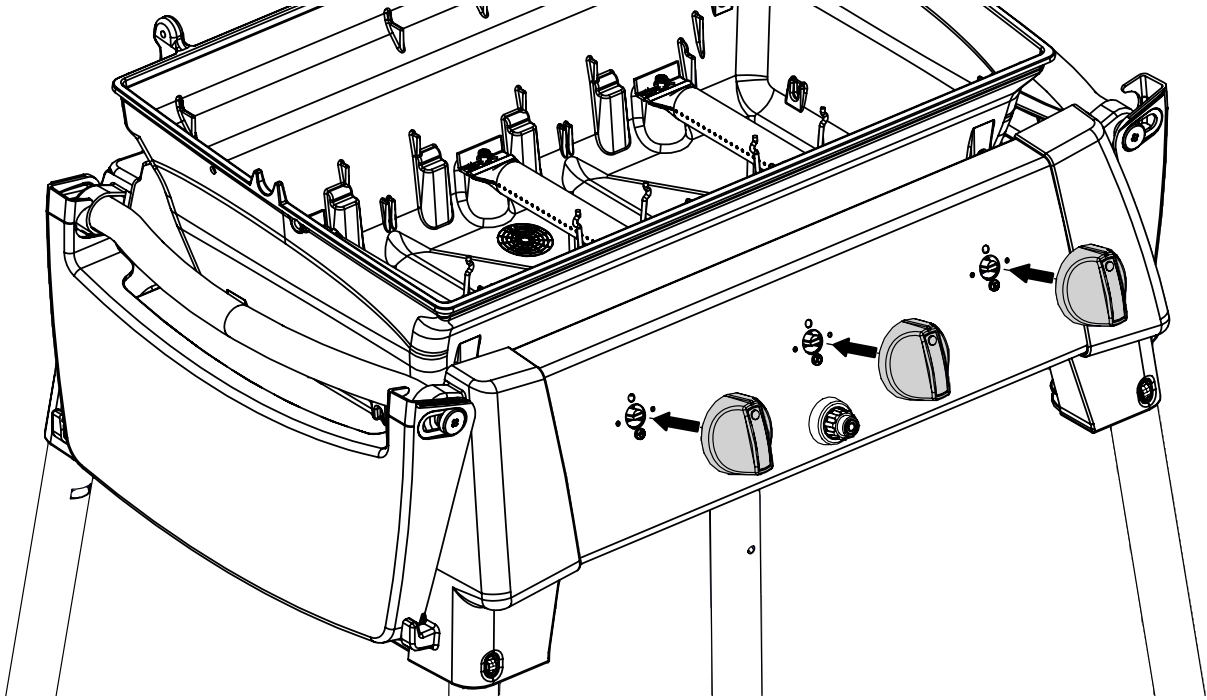


3

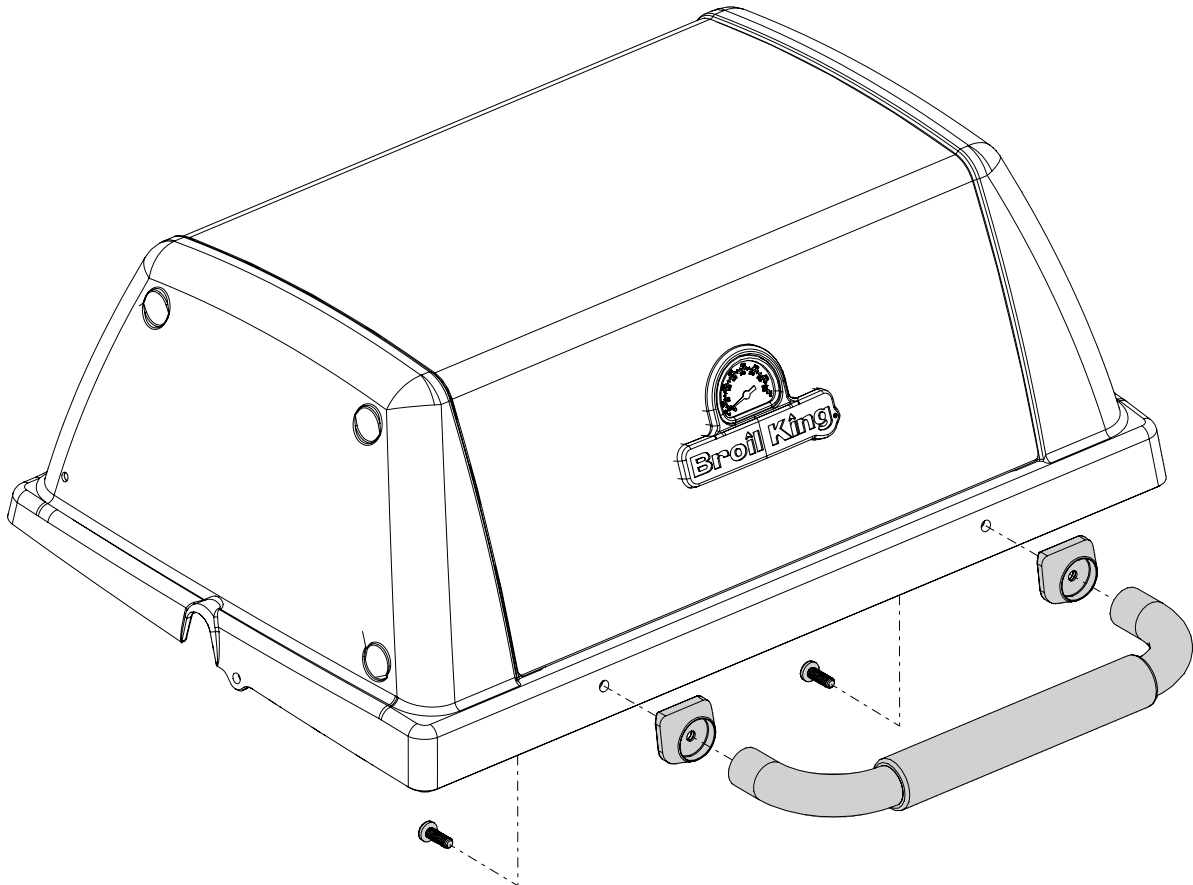
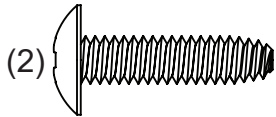
(1)  AAA



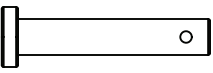
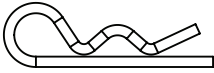
4

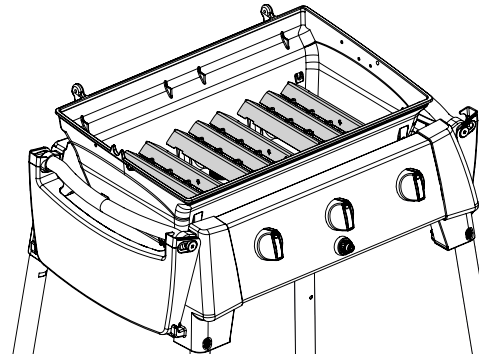
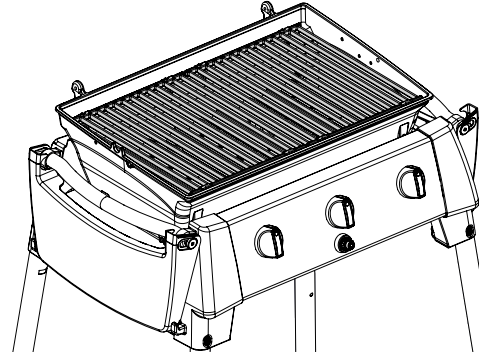
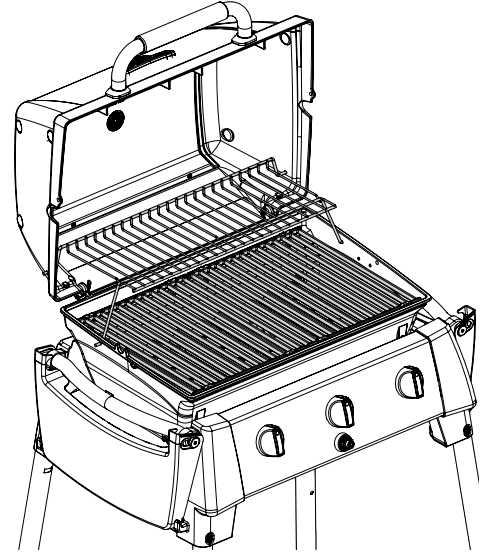
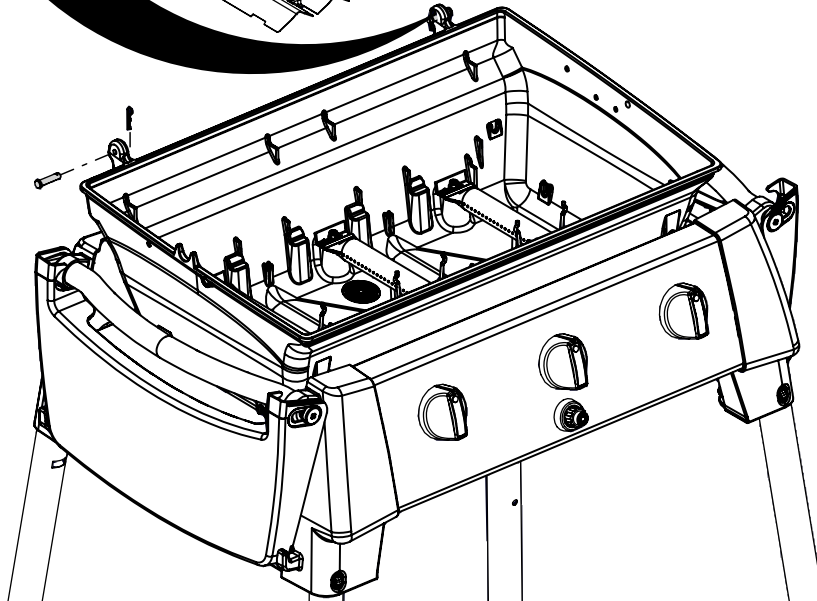
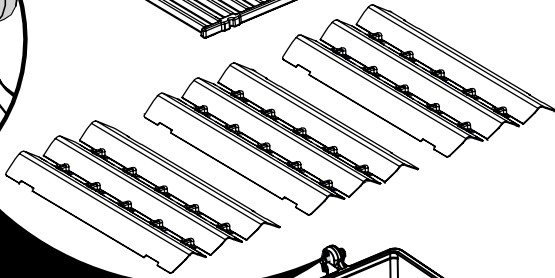
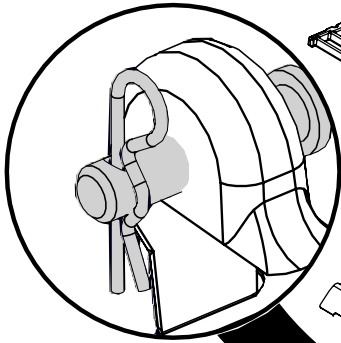
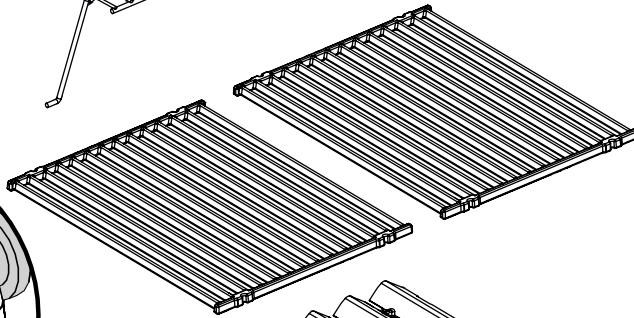
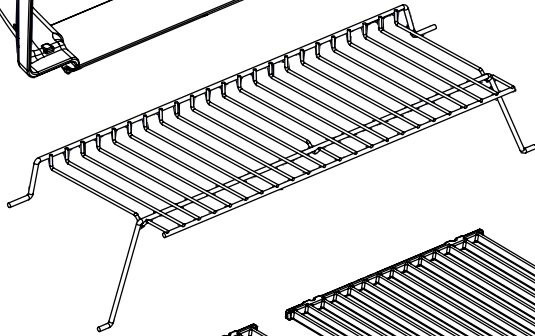
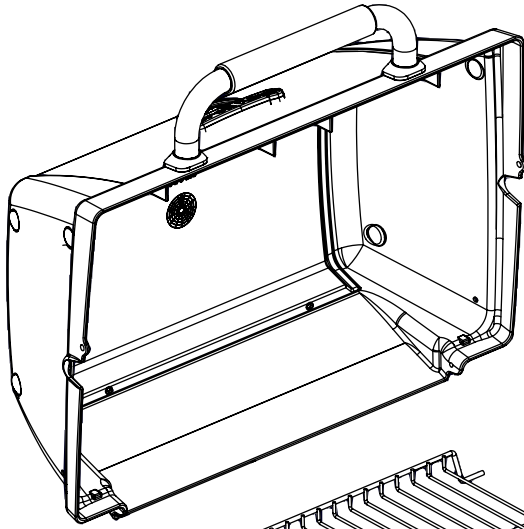


5

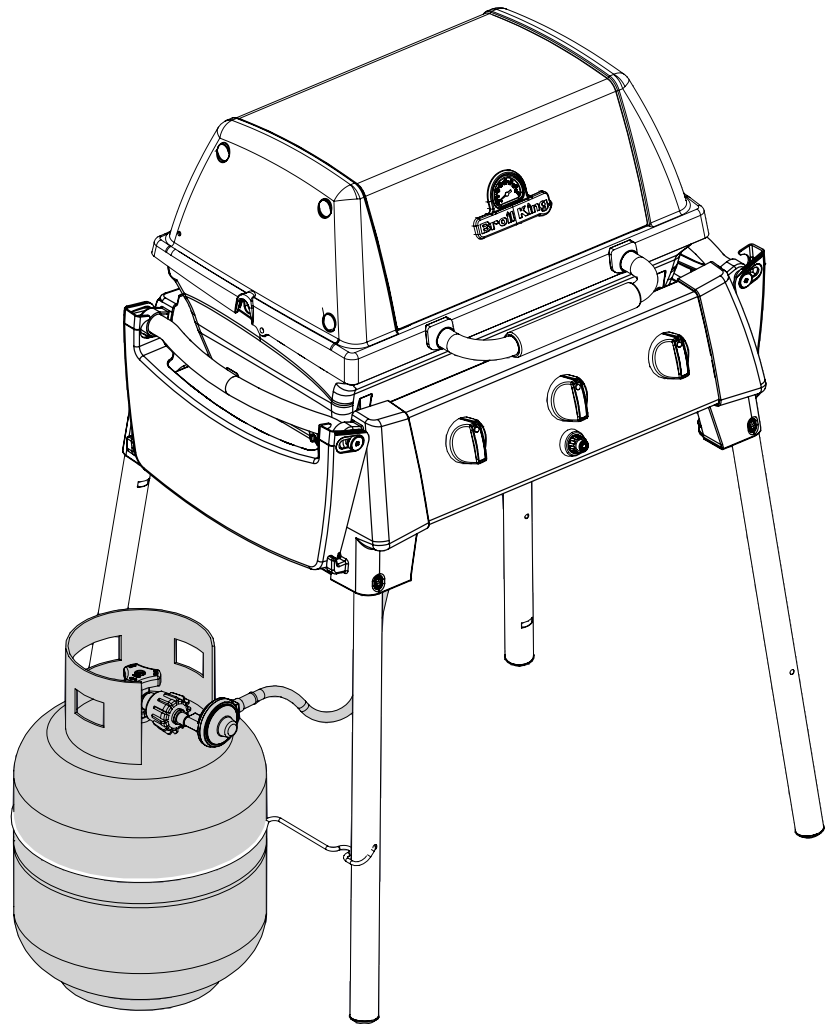
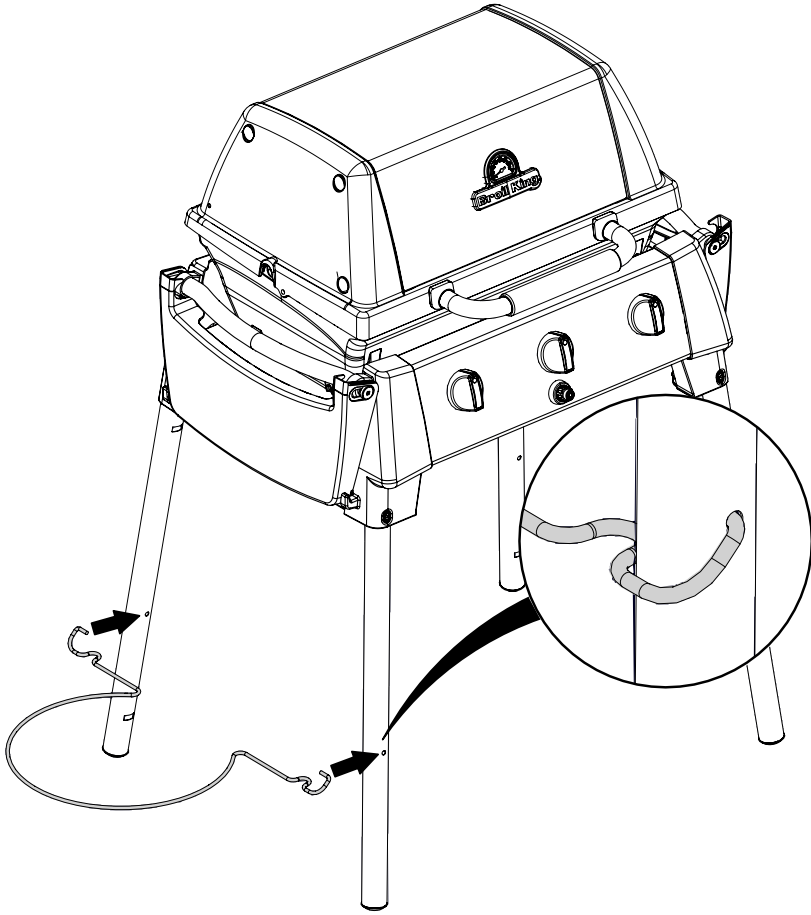


6

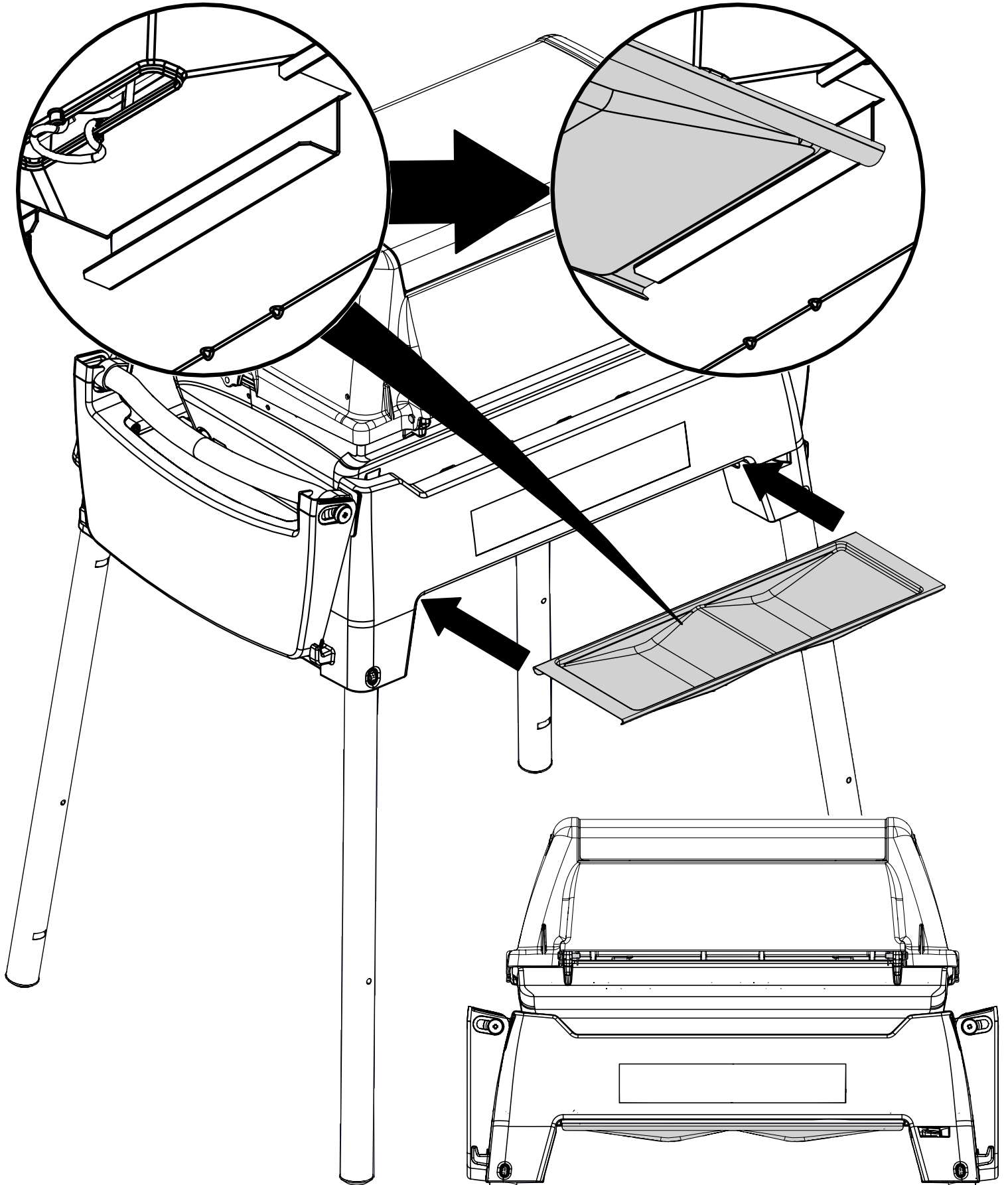
(2)  (2) 



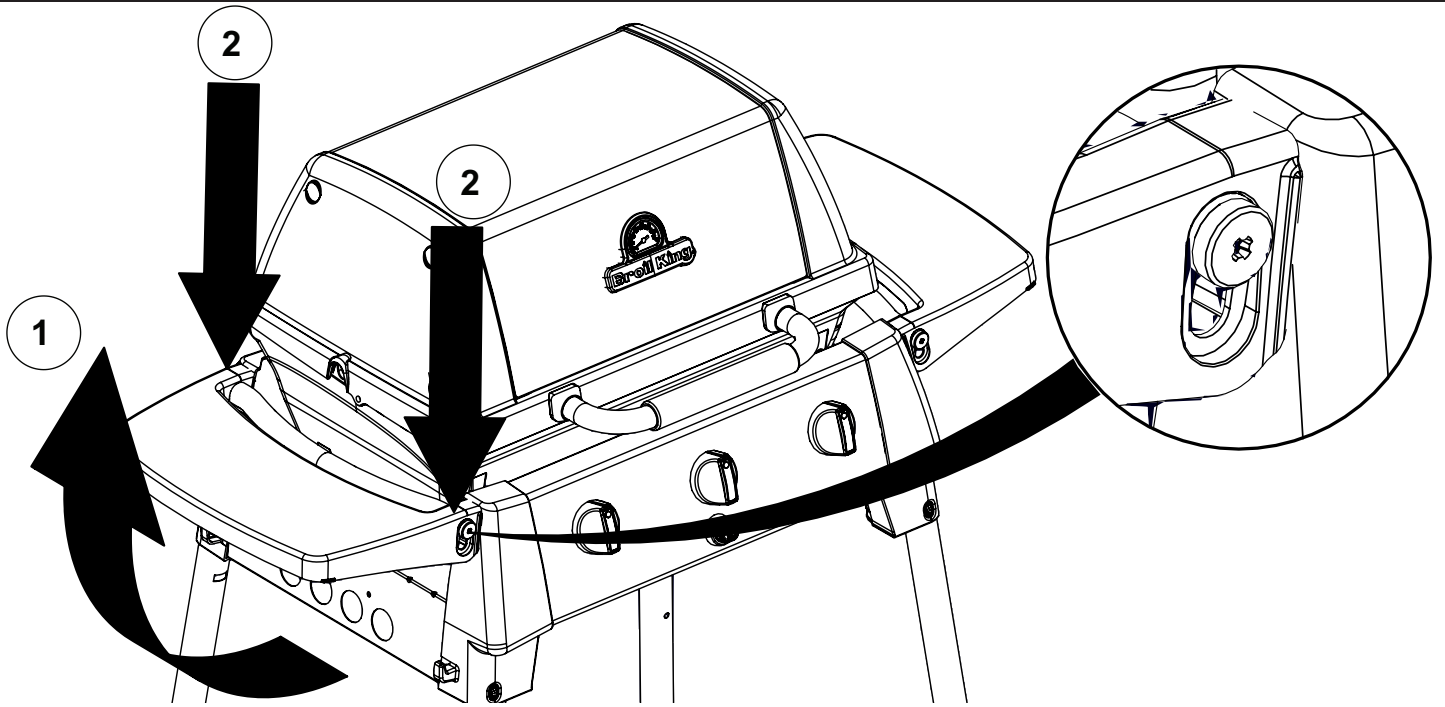
7



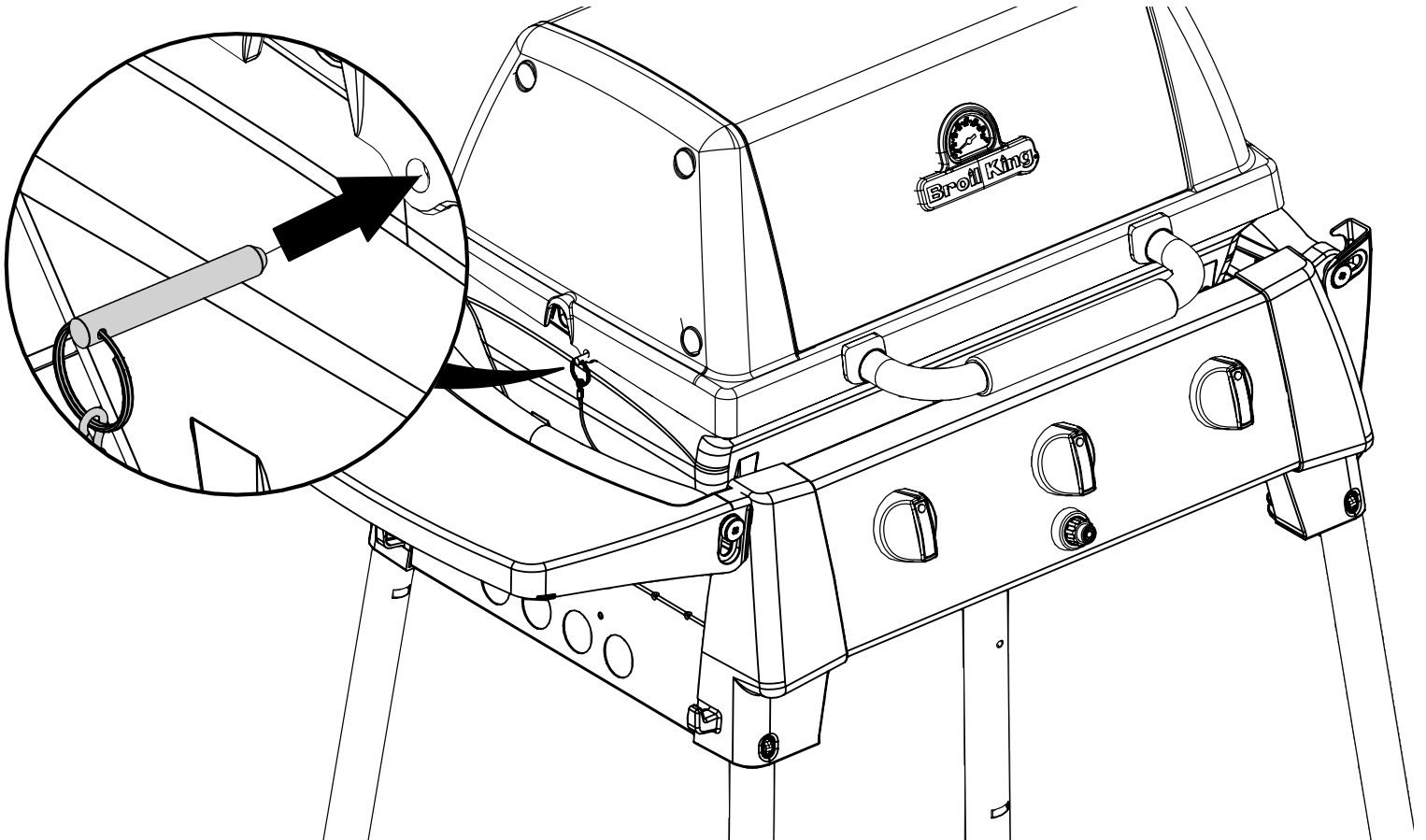
8



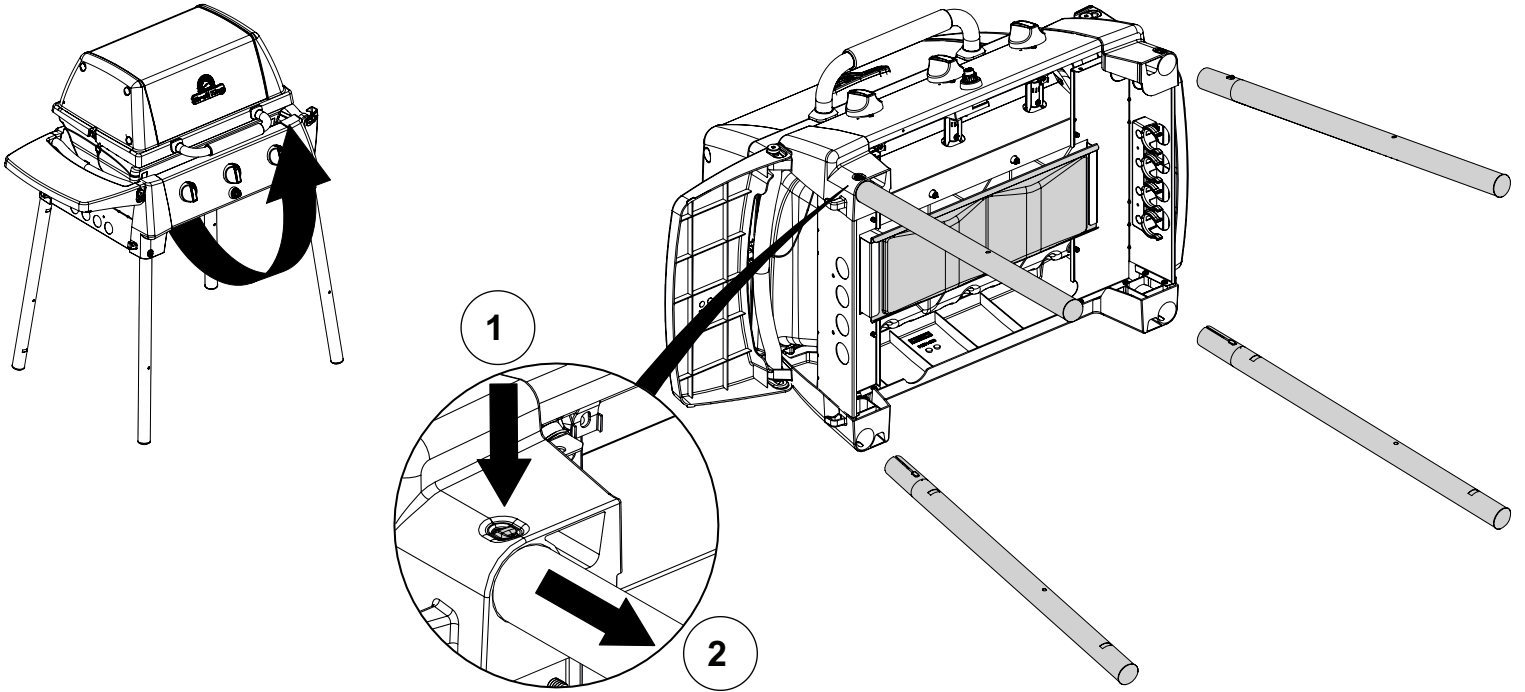
9



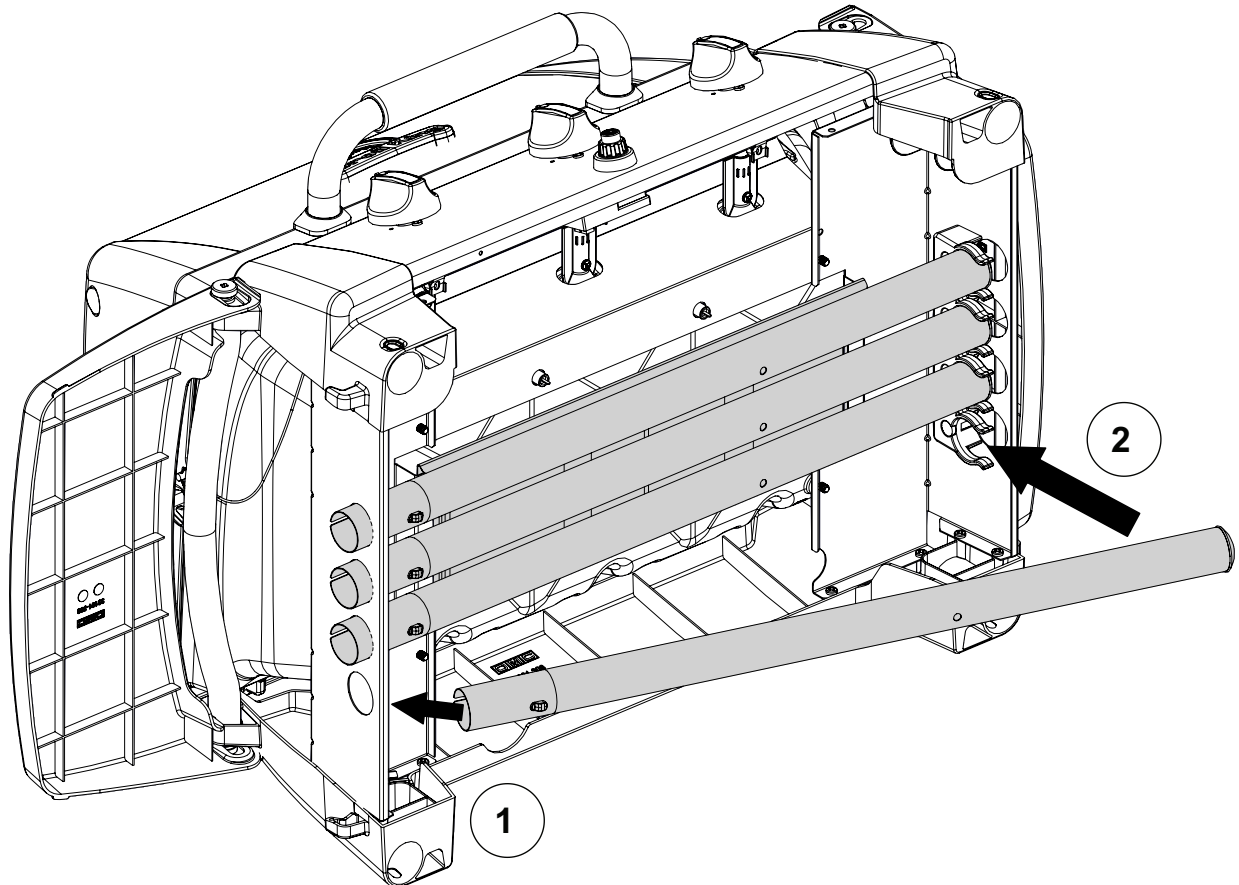
10



11



12



PARTS LIST

<u>KEY #</u>	<u>ITEM #</u>	<u>DESCRIPTION</u>	<u>9526-53NZ</u>
1	10909-E33	CASTING BOTTOM	1
2	10473-E33	CASTING TOP	1
3	10081-BK530	NAMEPLATE	1
4	10958-E334A	TOP CASTING INSERT	1
5	10571-5	HEAT INDICATOR	1
6	32300112	HINGE PIN	2
7	Y-11544	SCREW - BURNER	3
8	S21242	HITCH PIN CLIP	3
9	10225-T205	GRID	2
10	10222-E304	FLAV-R-WAVE™	3
11	10225-E330	WARMING RACK	1
12	10184-E17	WIRE RETAINER	3
15	10390-E30	BURNER	3
17	10342-245	IGNITOR	1
18	10342-E12	ELECTRODE	2
19	52014-903	COLLECTOR BOX	1
21	39004-044	CONTROL ASSEMBLY	1
22	10111-NZ	HOSE & REGULATOR	1
23	10472-K431	CONTROL KNOB	3
29	34100-8	LID PIN	2
30	10194-E228	CONTROL COVER	1
31	31201-338	EDGE CAP	1
32	31201-318	EDGE CAP	1
33	10184-F35	HEAT SHIELD	1
36	10184-E281	SUPPORT-CASTING	2
39	31301-308	BRACE-REAR	1
41	Y-12664	LEG CLIP	1
42	Y-12662	LEG CLIP	4
43	31403-201A	LEG	4
50	33101-308	SHELF	2
51	10338-144	HANDLE	2
58	34000-336	BEZEL	2
75	31106-13A	HANDLE	1
76	Y-12128	BUSHING	4
78	31003-248	LEG PLUG	4
82	Y-12680	SCREW 1/4-20 X 1	6
96	S21125	SCREW #8 X 3/8	4
103	10184-E14	TANK BRACKET	1
123	32051-302	GREASE TRAY	1
146	S21233	HITCH PIN CLIP	2
147	Y-11231	BUMPER	4
159	S21136	SCREW #8-32 X 3/8	3
161	Y-29306	SCREW #10-24 X 3/4	22
167	Y-11989	BOLT 1/4-20 X 1	4

