

Broil King®

BARBECUES



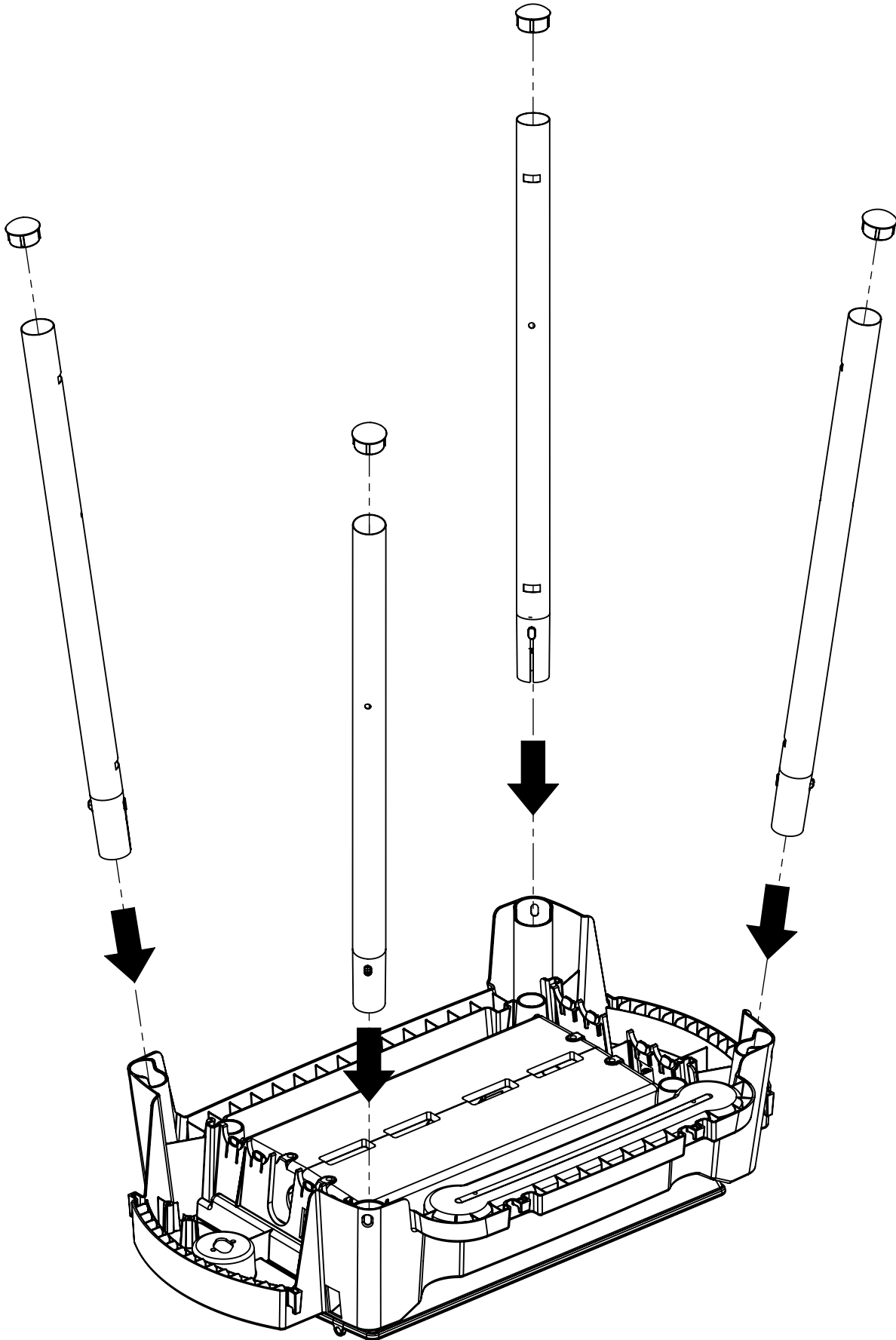
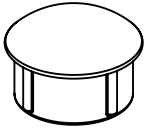
Broil King
PORTA-CHEF 120
9506-53NZ

Onward
MANUFACTURING COMPANY
SINCE 1906
585 KUMPF DRIVE LIMITED
WATERLOO, ONTARIO, CANADA
N2V 1K3

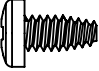
10084-E24NZ REV A 03/22

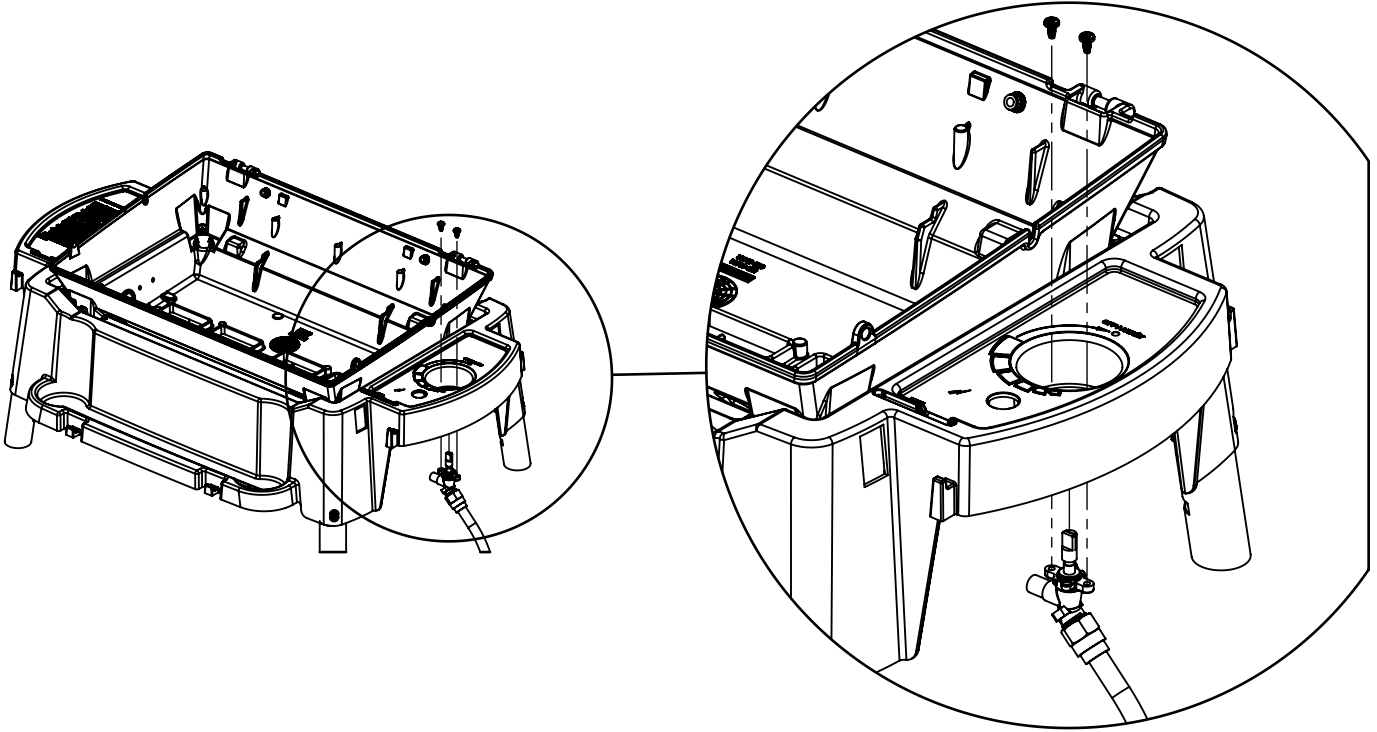
1

(4)

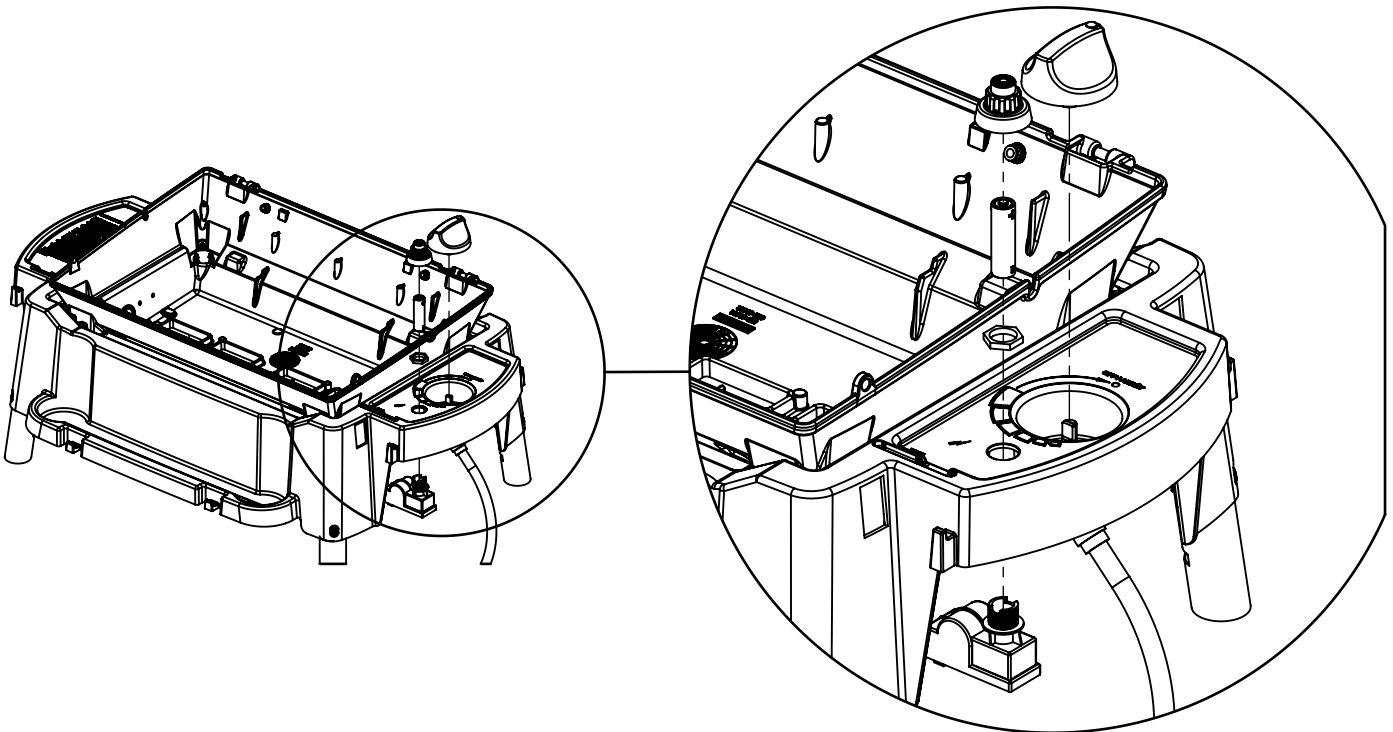


2

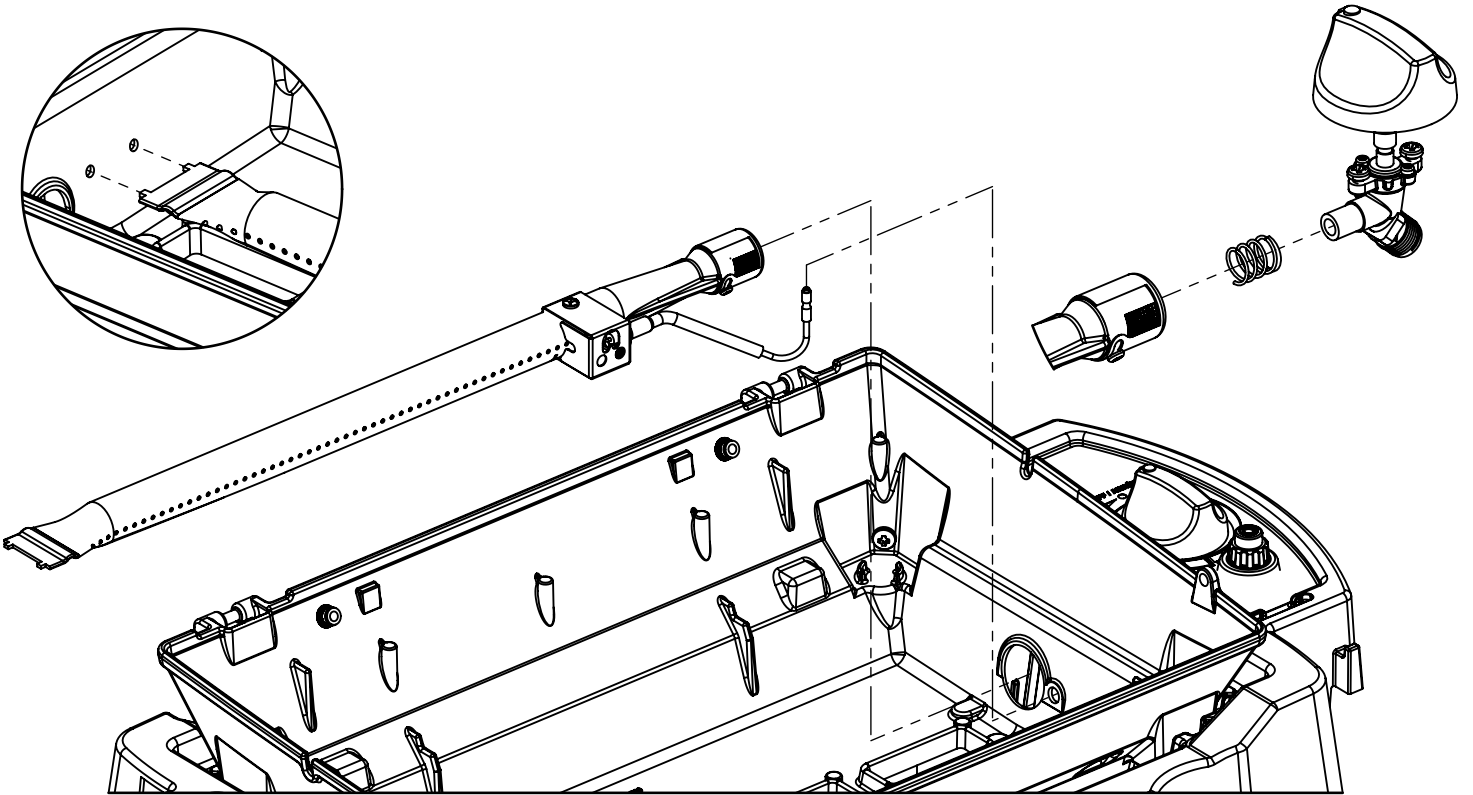
(2) 



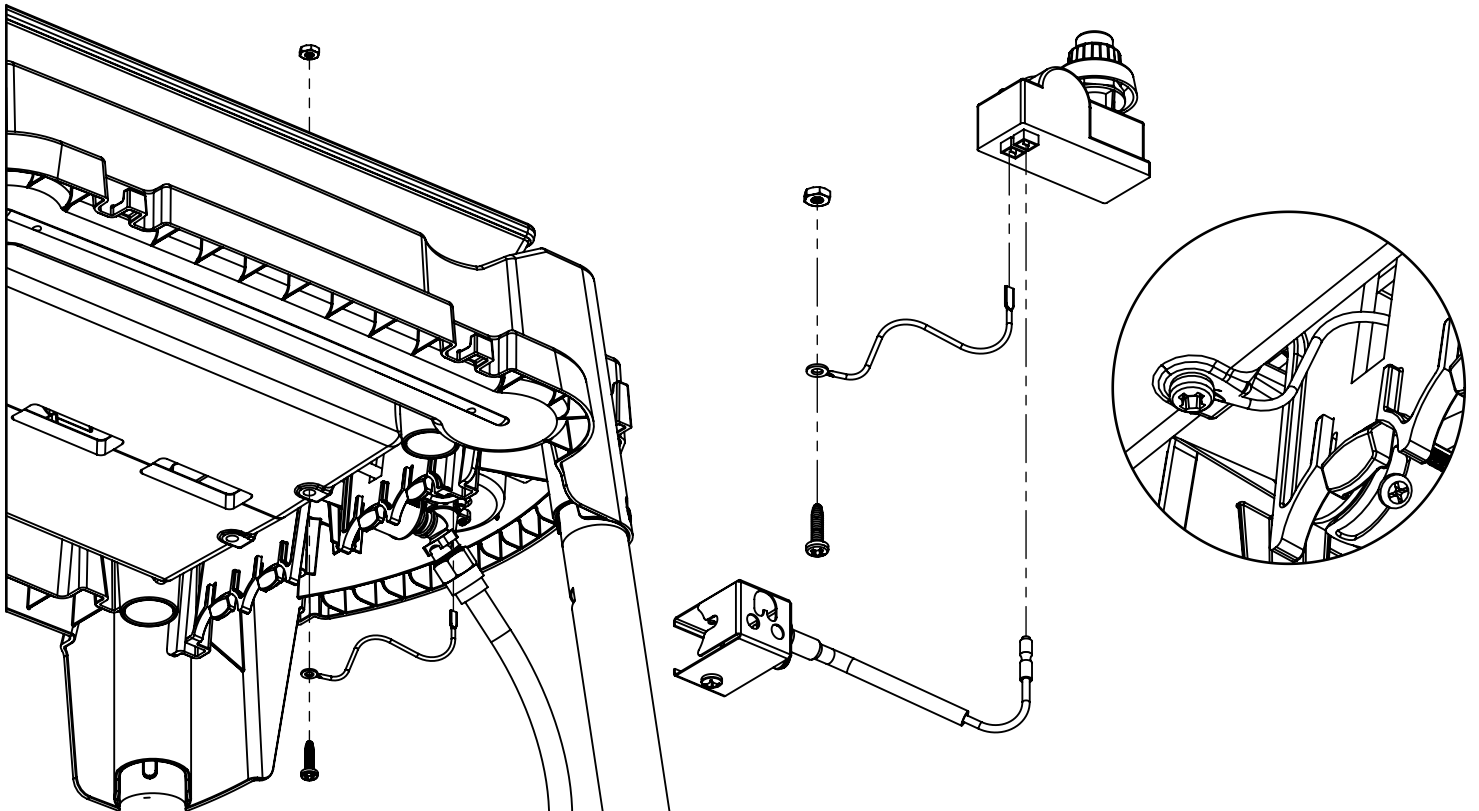
3



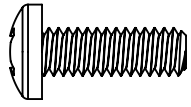
4

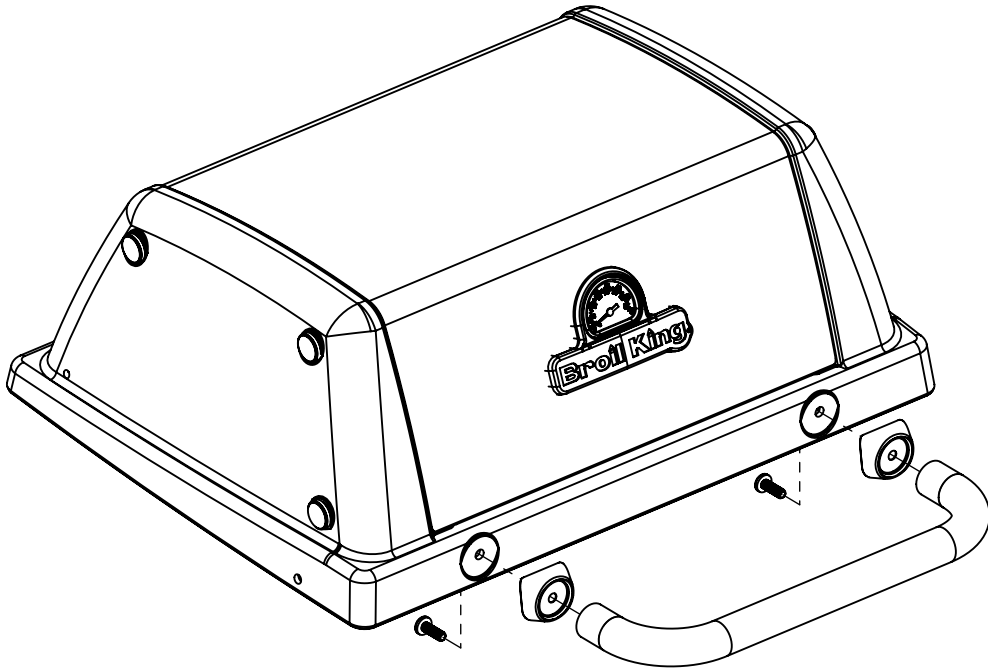


5

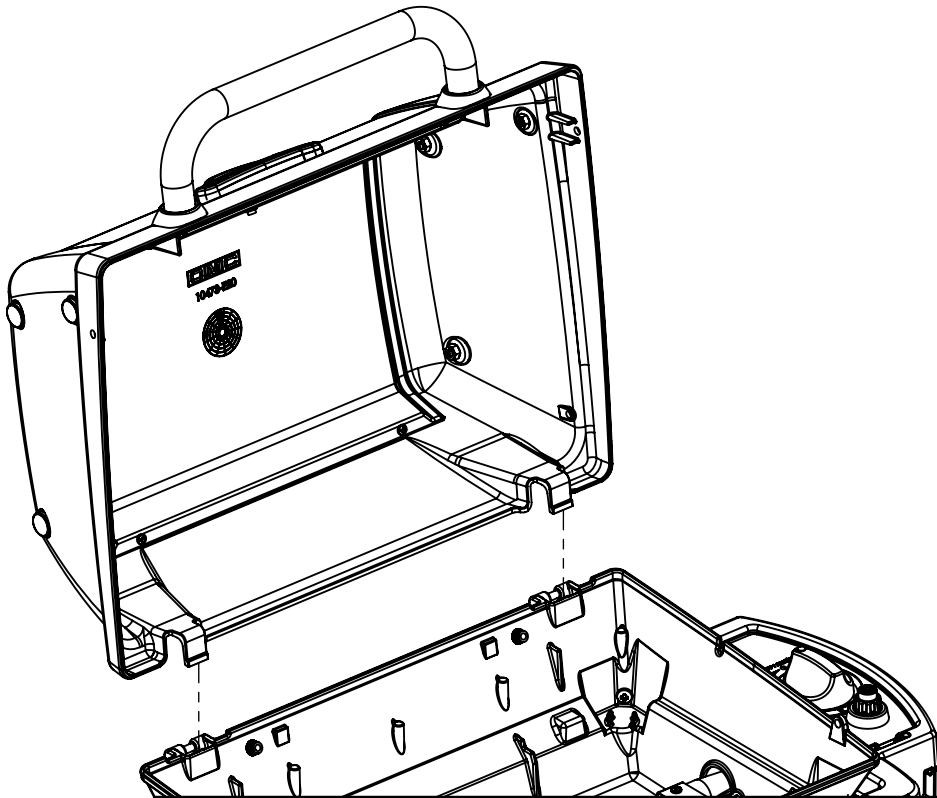


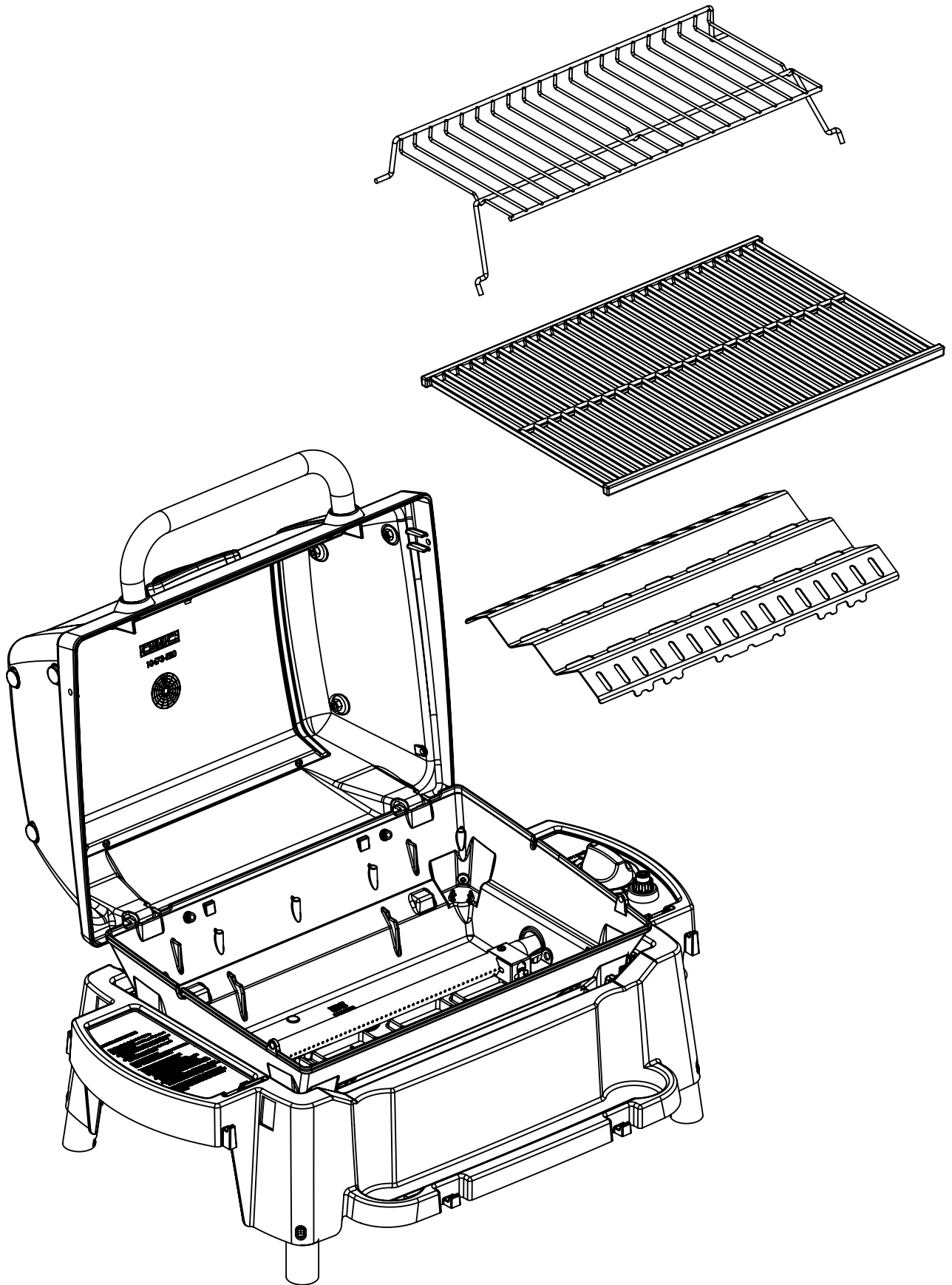
6

(2) 

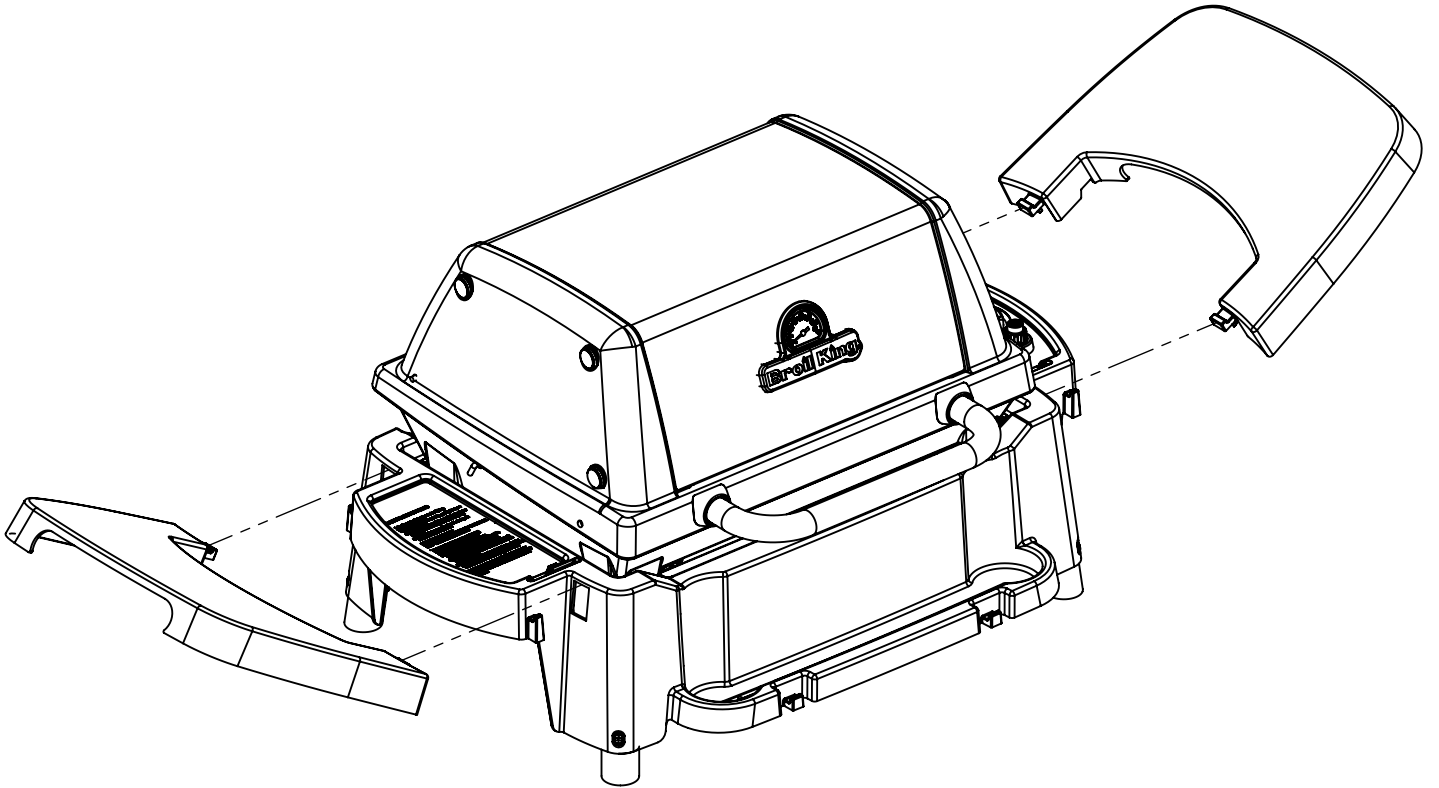


7



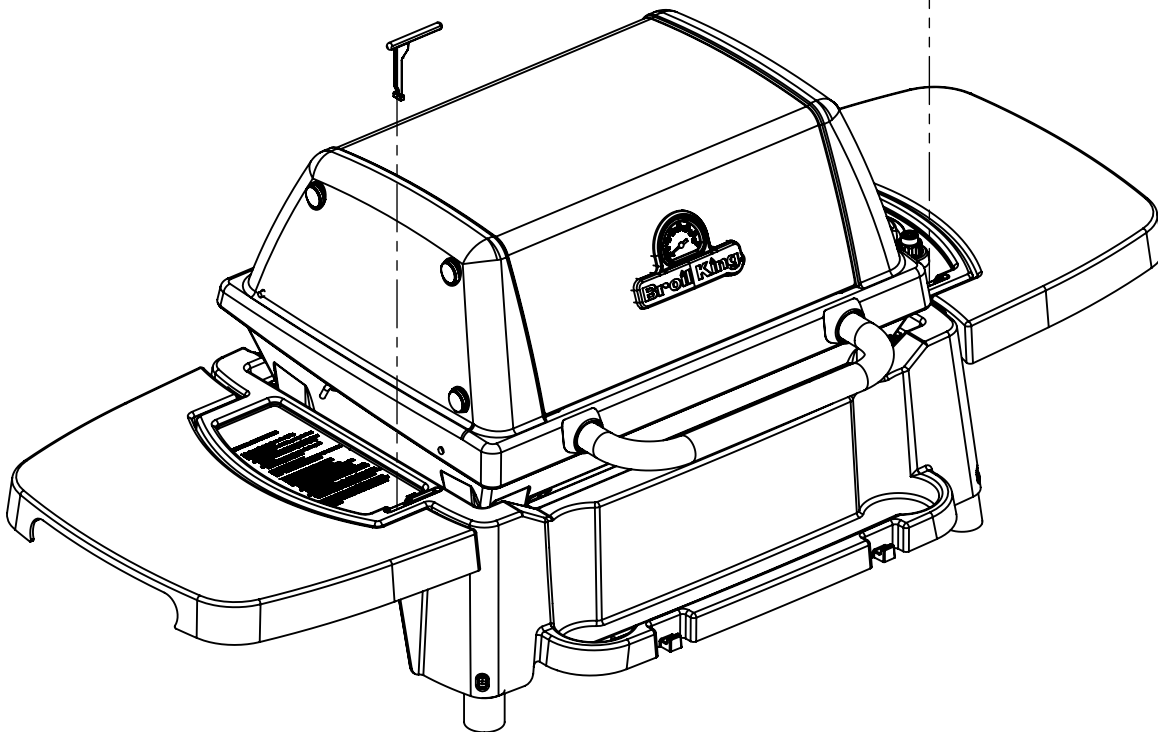
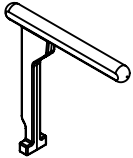


9

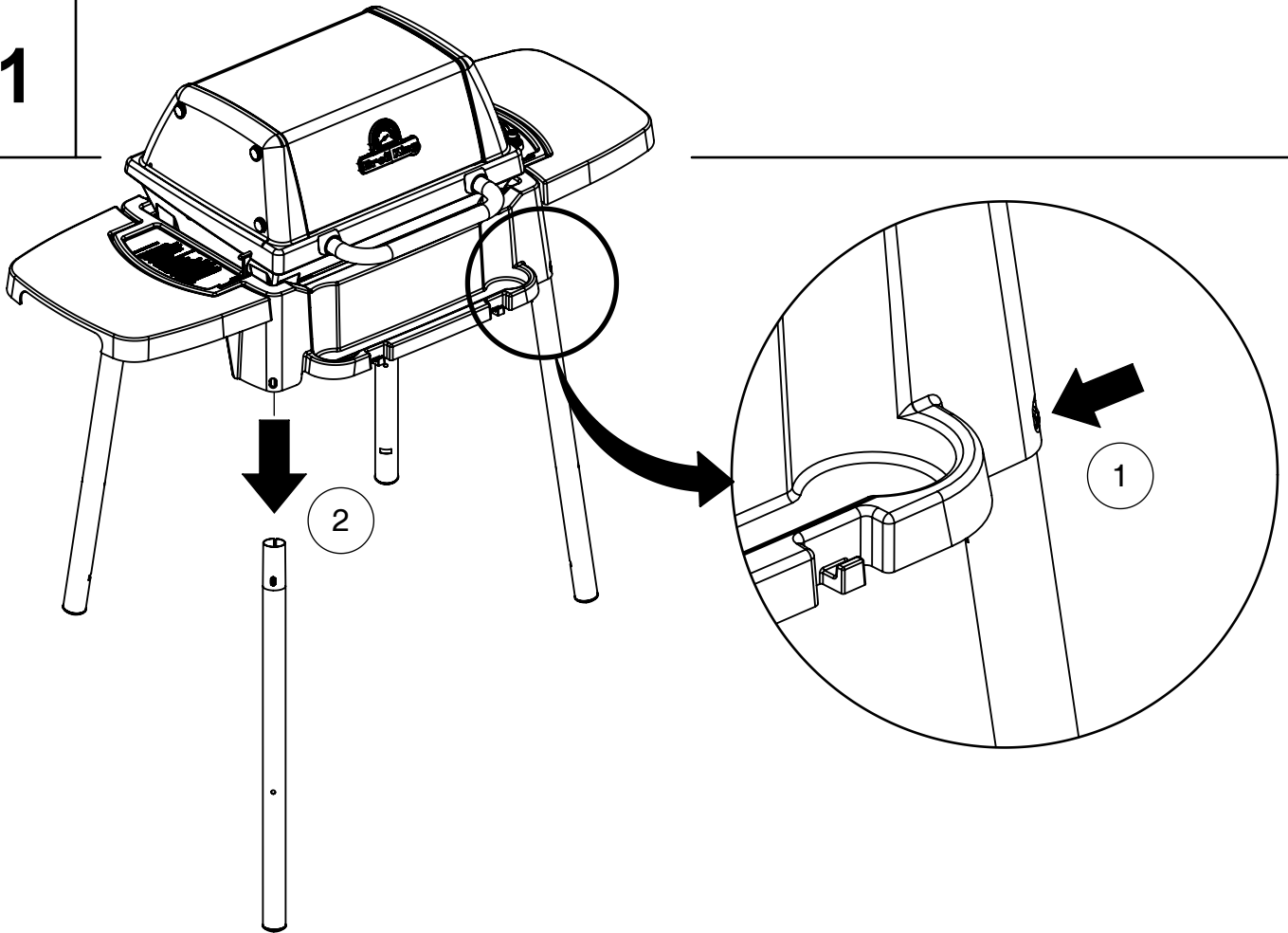


10

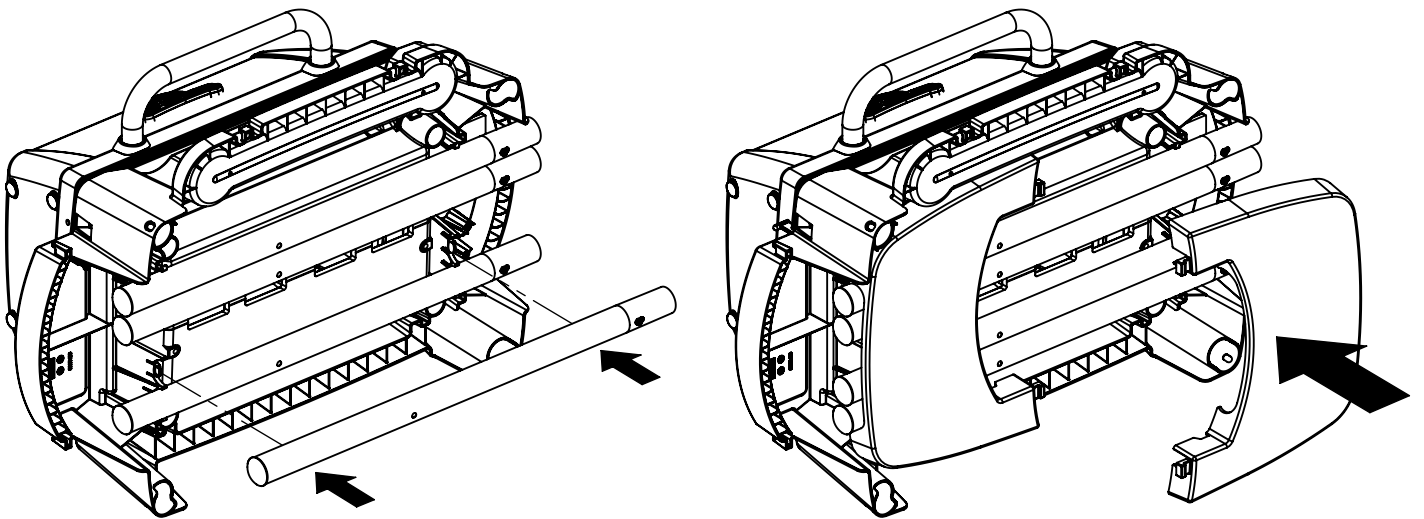
(2)

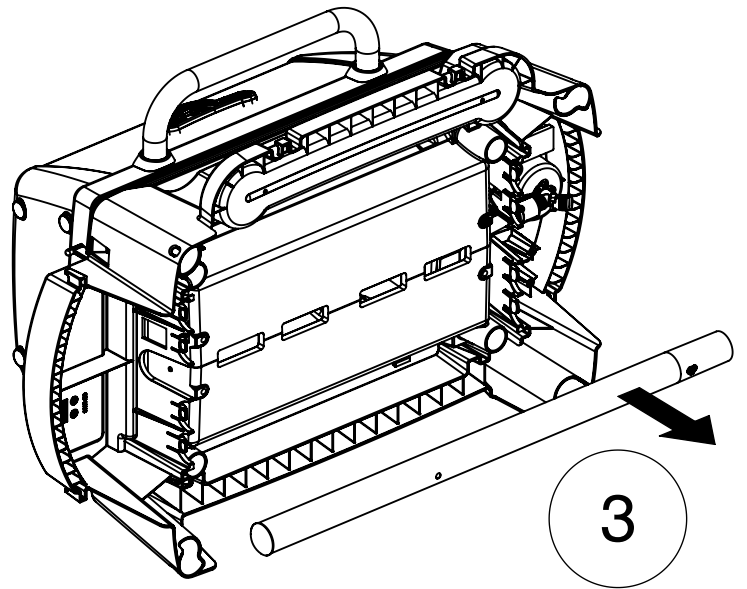
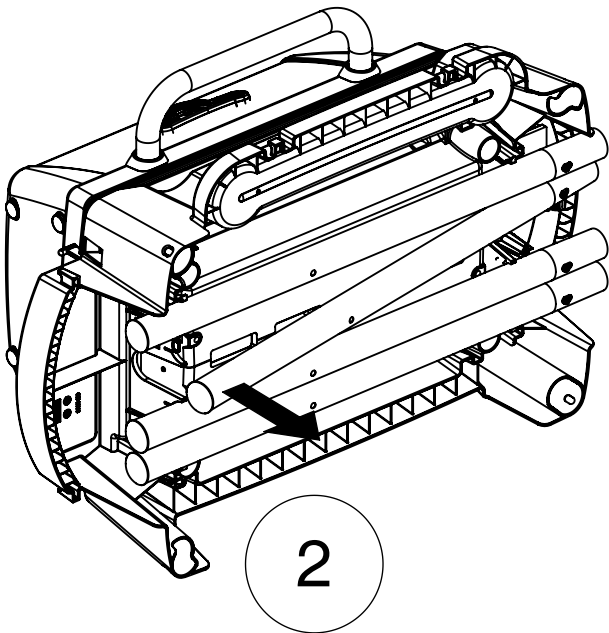
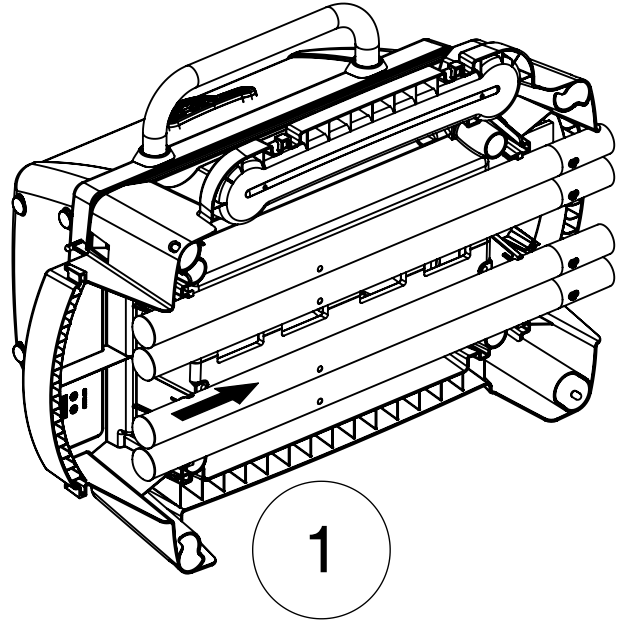
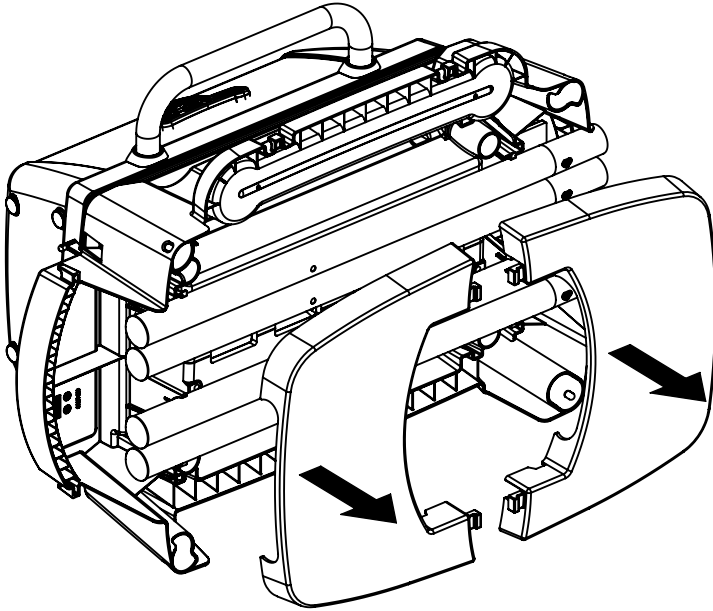


11



12





PARTS LIST / LISTE DES PIECES / TEILELISTE

<u>KEY #</u>	<u>ITEM #</u>	<u>DESCRIPTION</u>	<u>9506-53NZ</u>
1	10473-E20	TOP CASTING	1
2	10081-BK530	NAME PLATE	1
3	10571-5	THERMOMETER	1
4	10958-E200	LID INSERT	1
5	Y-12310	SCREW 1/4-20 X 3/4	2
6	21106-13	LID HANDLE	1
7	S21136	SCREW #8-32 X 3/8	1
8	S21125	SCREW #8 X 3/8	6
9	32209-104	COLLECTOR BOX	1
10	10909-E20	BOTTOM CASTING	1
11	10390-E21E	BURNER	1
12	Y-29306	SCREW #10-24 X 3/4	1
13	10222-T225	FLAV-R-WAVE™	1
14	10225-T247	WARMING RACK	1
15	10225-T208	COOKING GRID	1
16	10441-E20	VALVE	1
18	31003-248	LEG END CAP	4
19	Y-29307	NUT #10-24	1
21	10472-K37	CONTROL KNOB	1
22	10086-E21	LABEL	1
23	10086-E22	LABEL	1
24	31403-201	LEG	4
25	10342-245	IGNITOR	1
26	S15506	ELECTRODE	1
29	35651-208	CHASSIS	1
33	Y-12865	SCREW 1-4-20 X 1/2	4
34	10240-21	LID LOCKING PIN	2
35	35033-208	CHASSIS SPACER	4
36	Y-12662	LEG CLIP	4
37	32201-89	GROUND WIRE	1
38	Y-29304	SCREW #10-24 X 3/8	2
40	10111-HR06	REGULATOR ASSEMBLY	1
50	33101-208	SHELF	2
51	S21360	BURNER SPRING	1
58	34000-336	HANDLE STANDOFF	2
87	Y-11793	NUT 1/4-20	6
166	Y-11979	BOLT 1/4-20 X 3/8	6

