

Broil King®

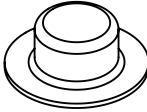

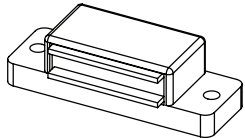
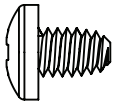


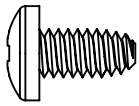
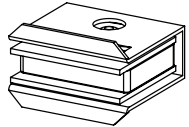
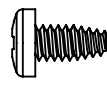
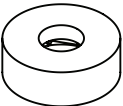
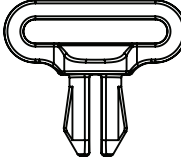
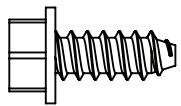
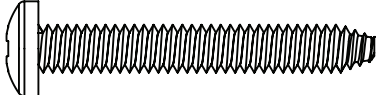
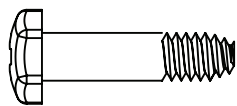
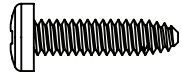


Broil King
MONARCH 320
9319-53NZ



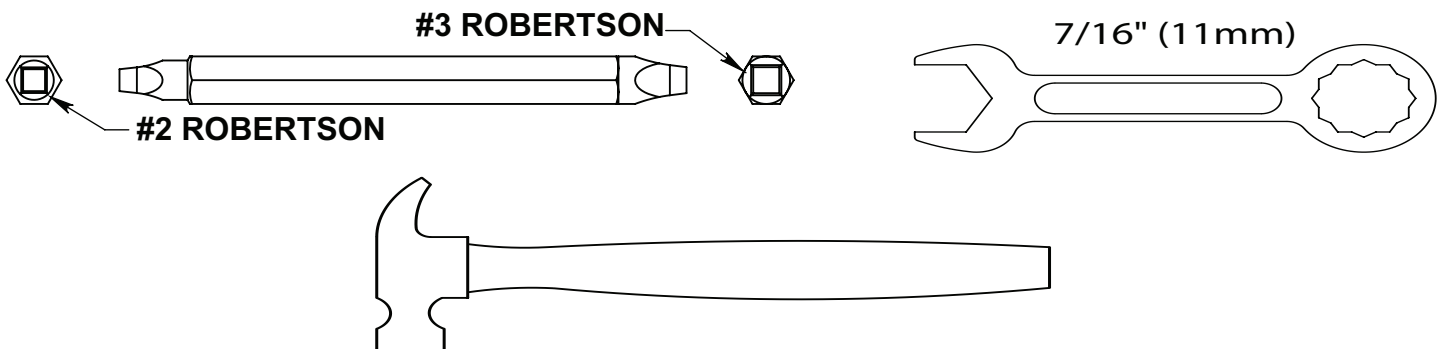
Broil King
MONARCH 390
9319-83NZ



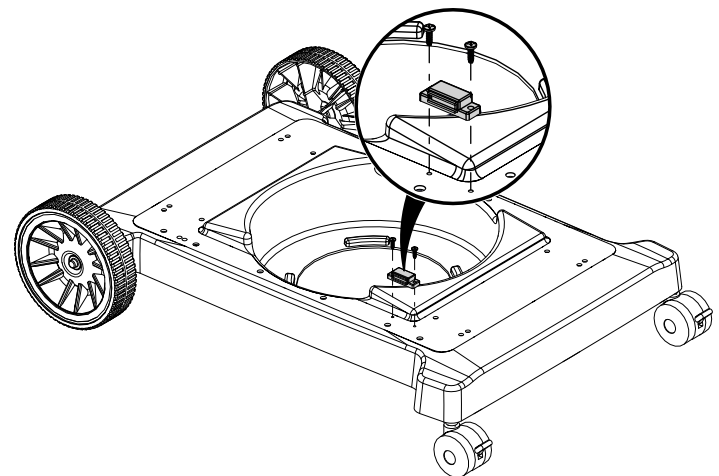
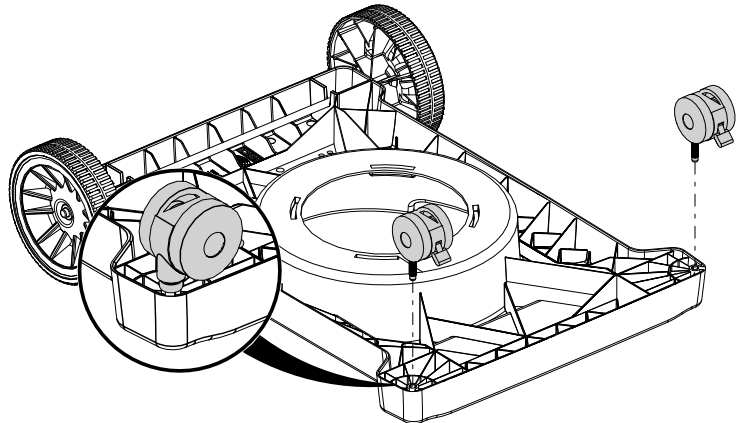
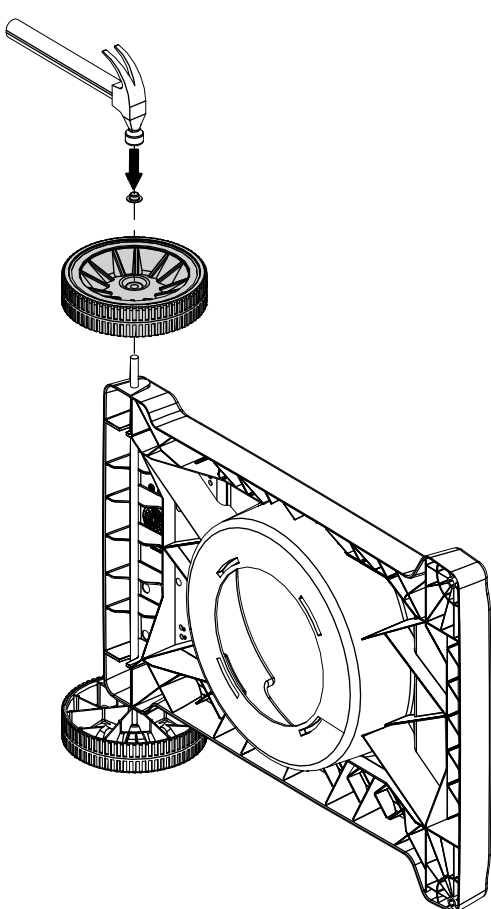
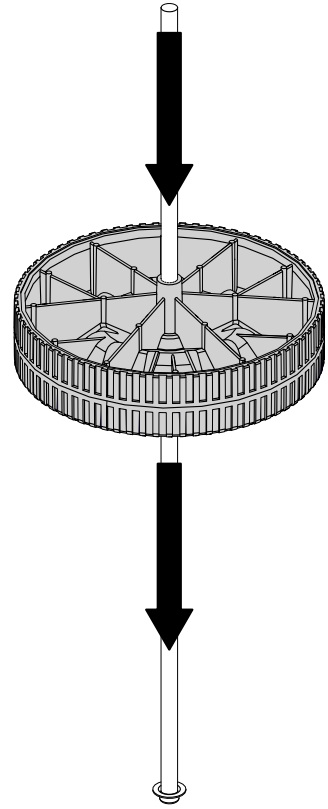
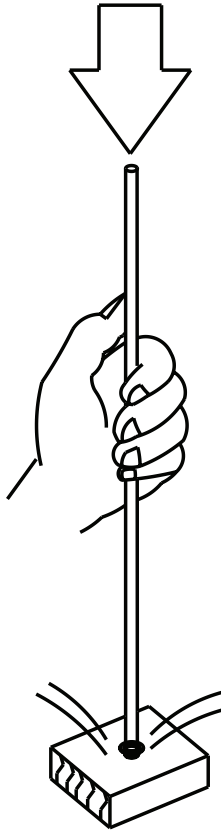
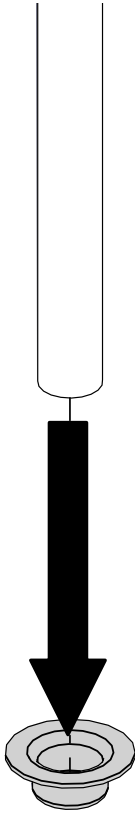
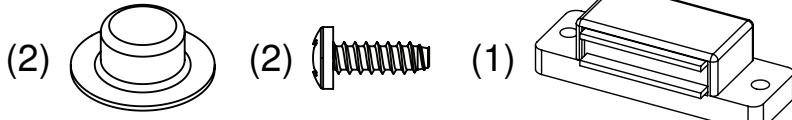
HARDWARE INCLUDED

S21420  X2	S21124  X2	Y-12222  X1
Y-12855  X1	Y-11793  X5	AAA  X1
Y-12865  X8	Y-12223  X1	Y-29304  X2
Y-12124  X1	Y-12673  X2	S21084  X2
Y-11561  X4	Y-11551  X1	
Y-29306  X2	S21061  X2	
10070-E340MS  X1		

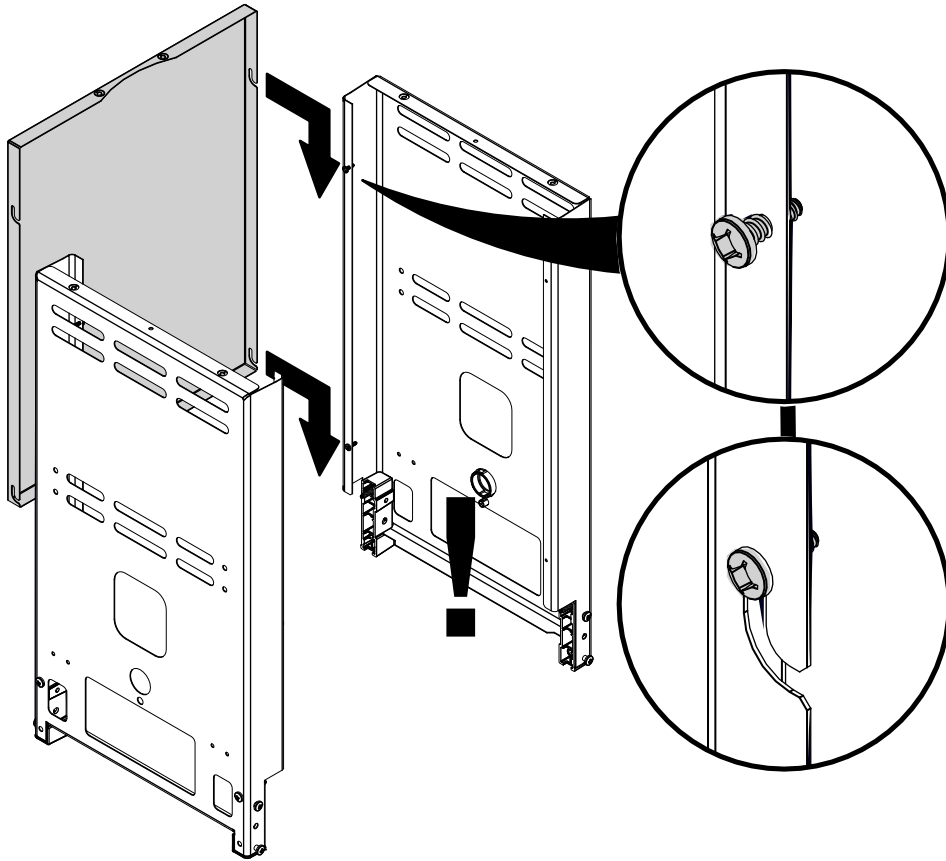
TOOLS REQUIRED



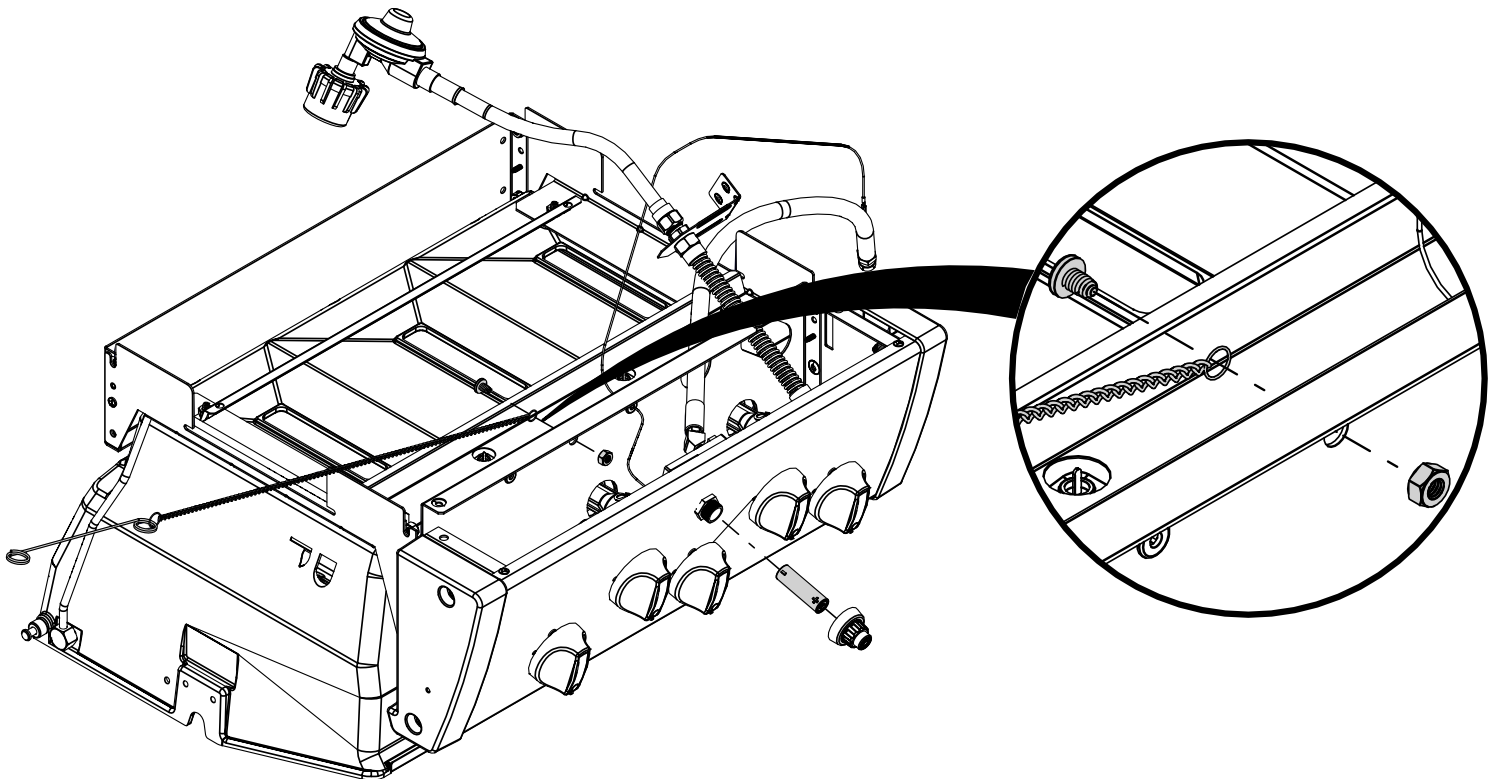
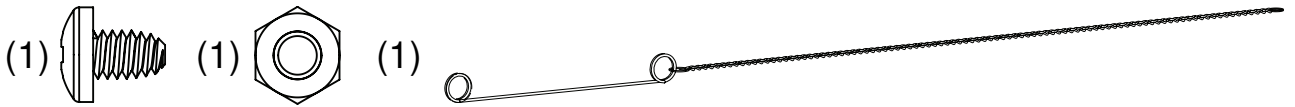
1




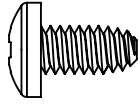
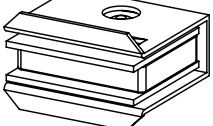
2

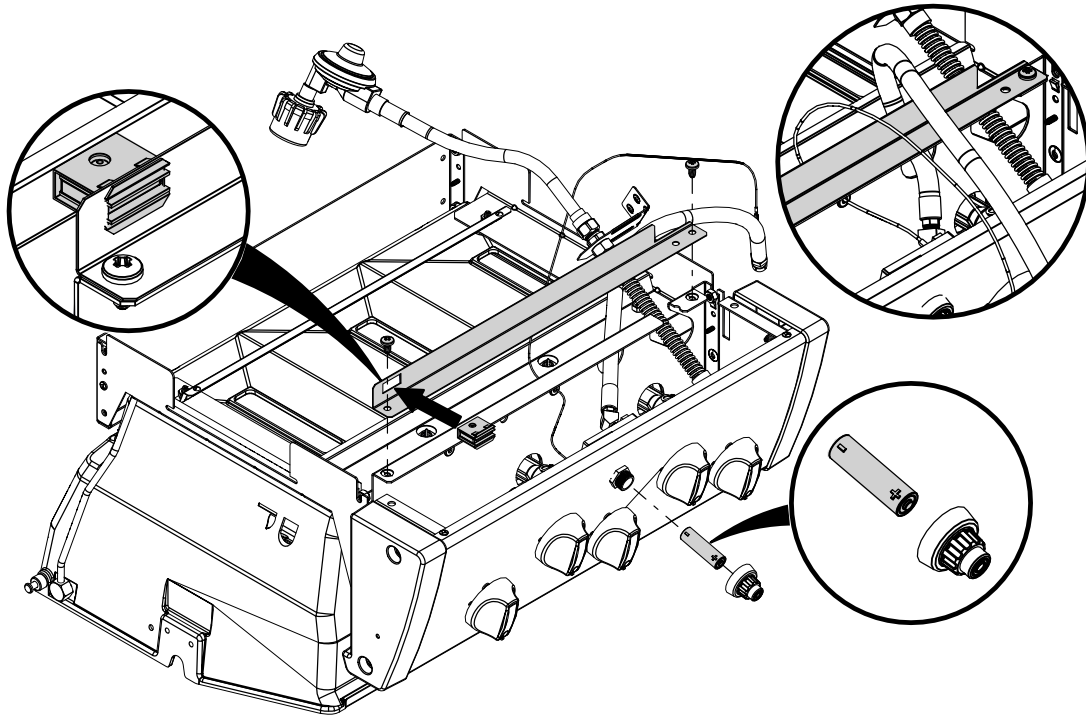


3

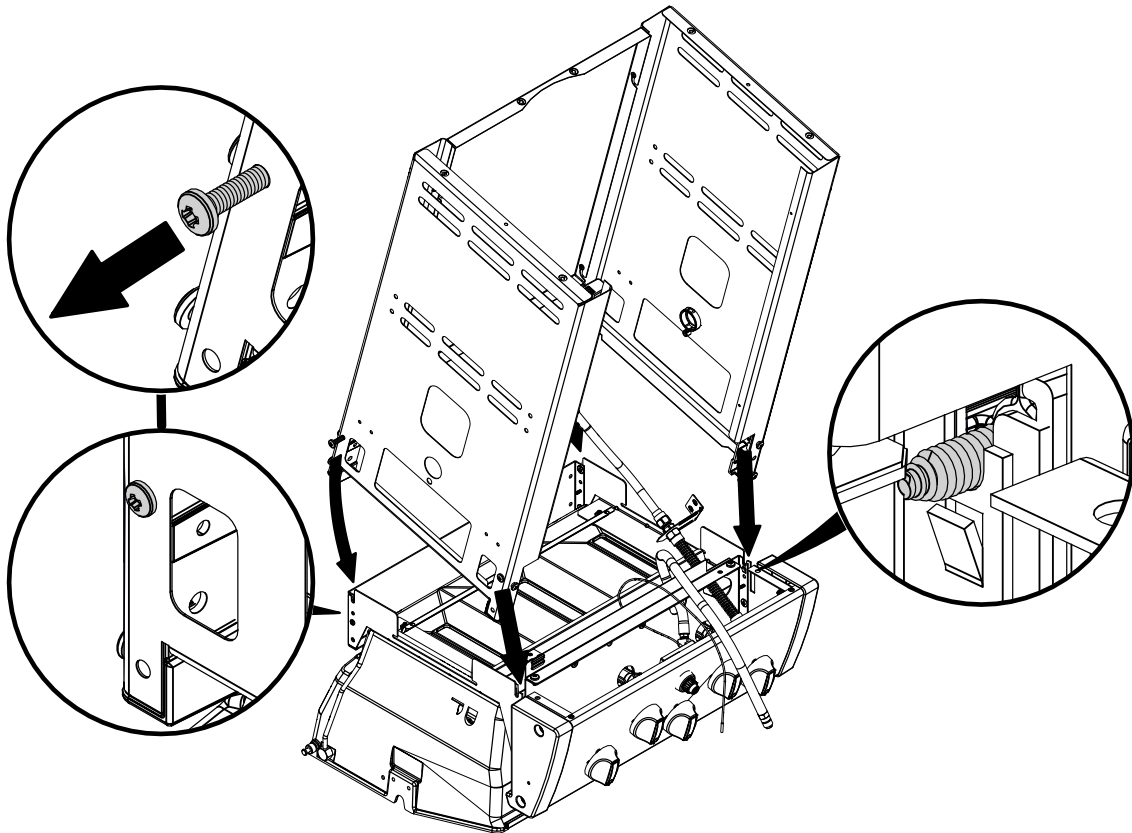


4

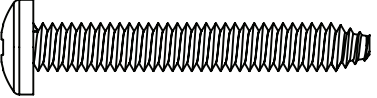
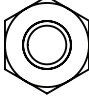
- (1)  AAA - (2)  (1) 

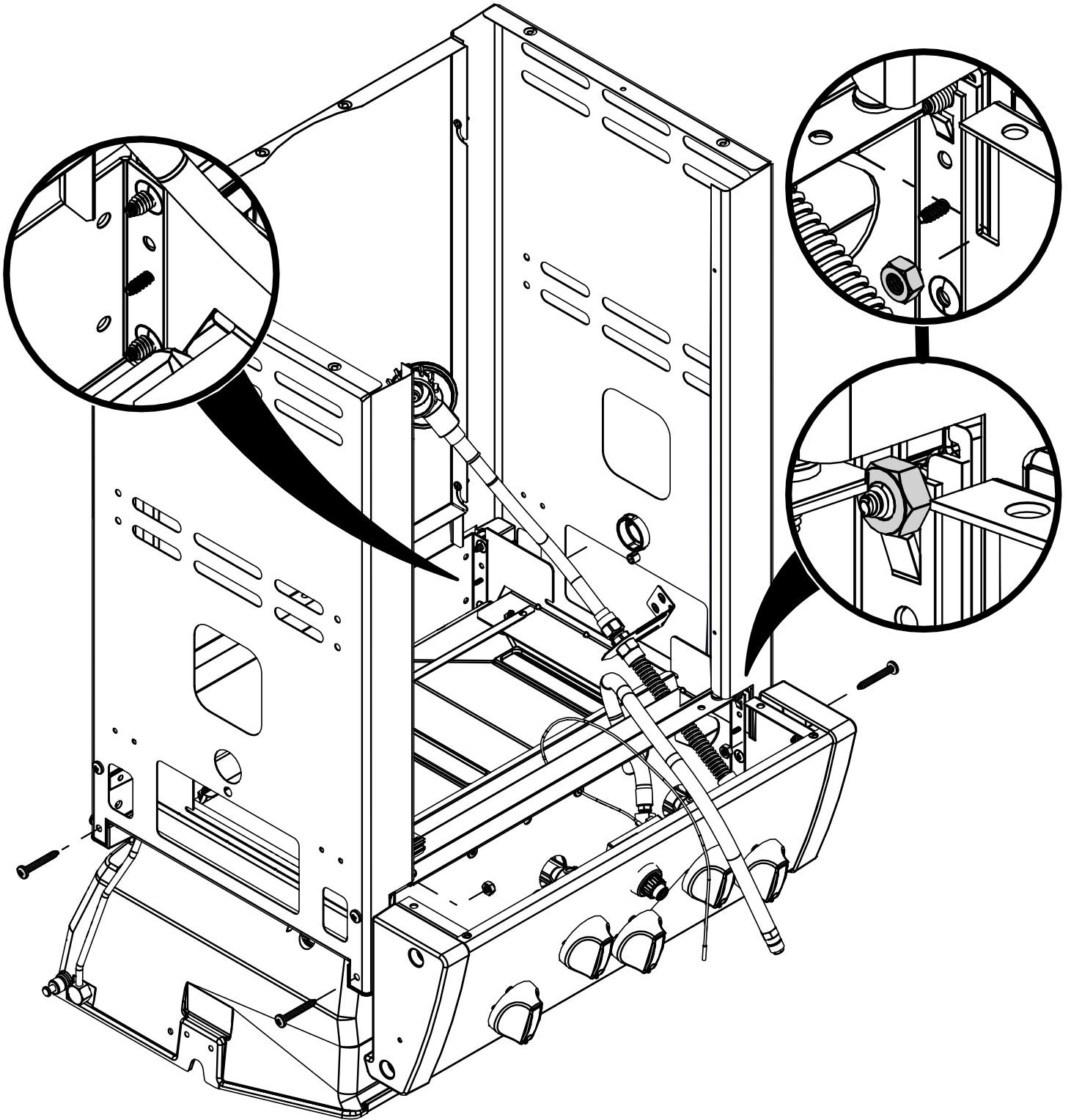


5

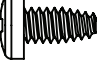


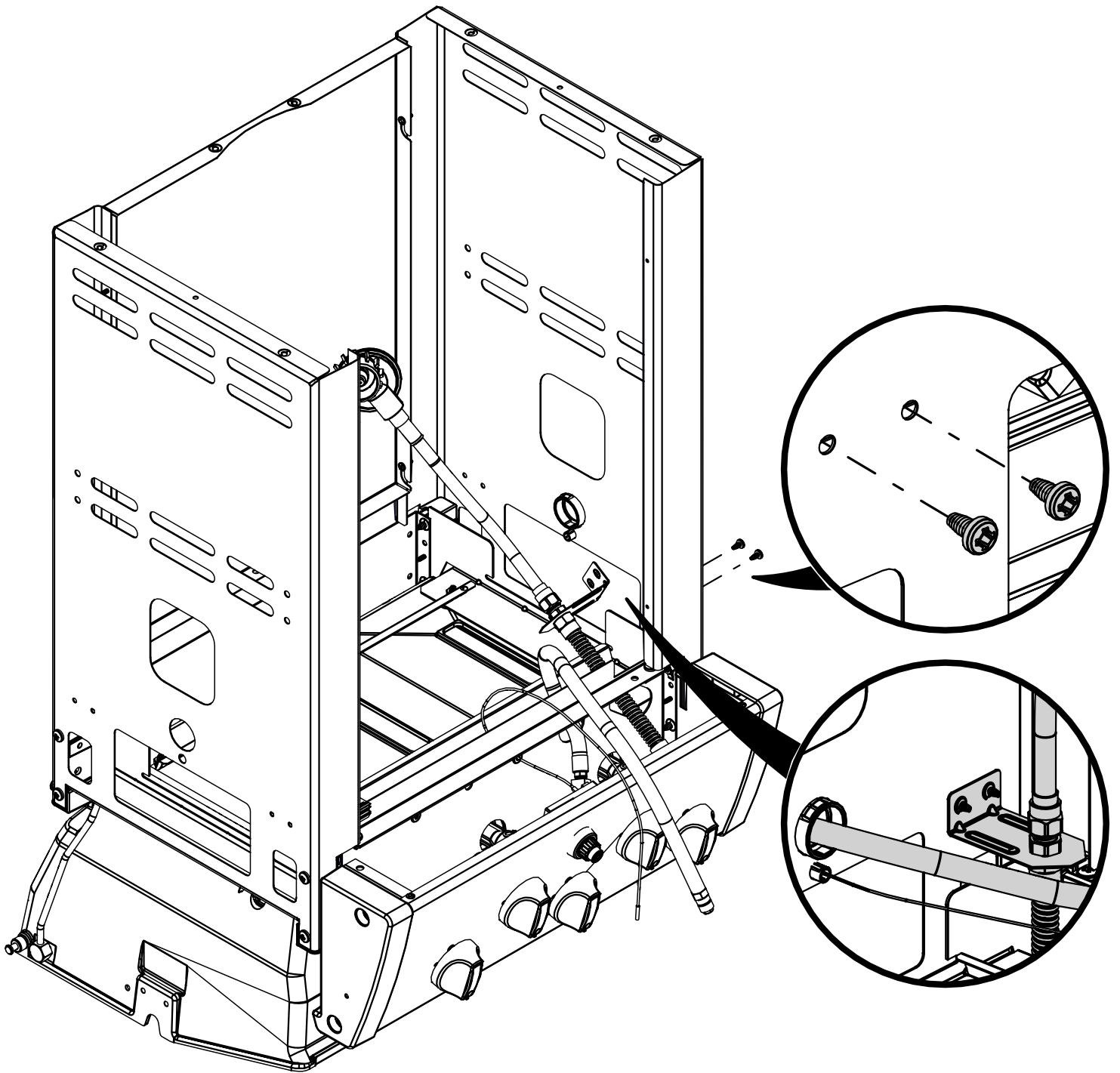
6

(4)  (2) 

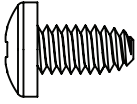


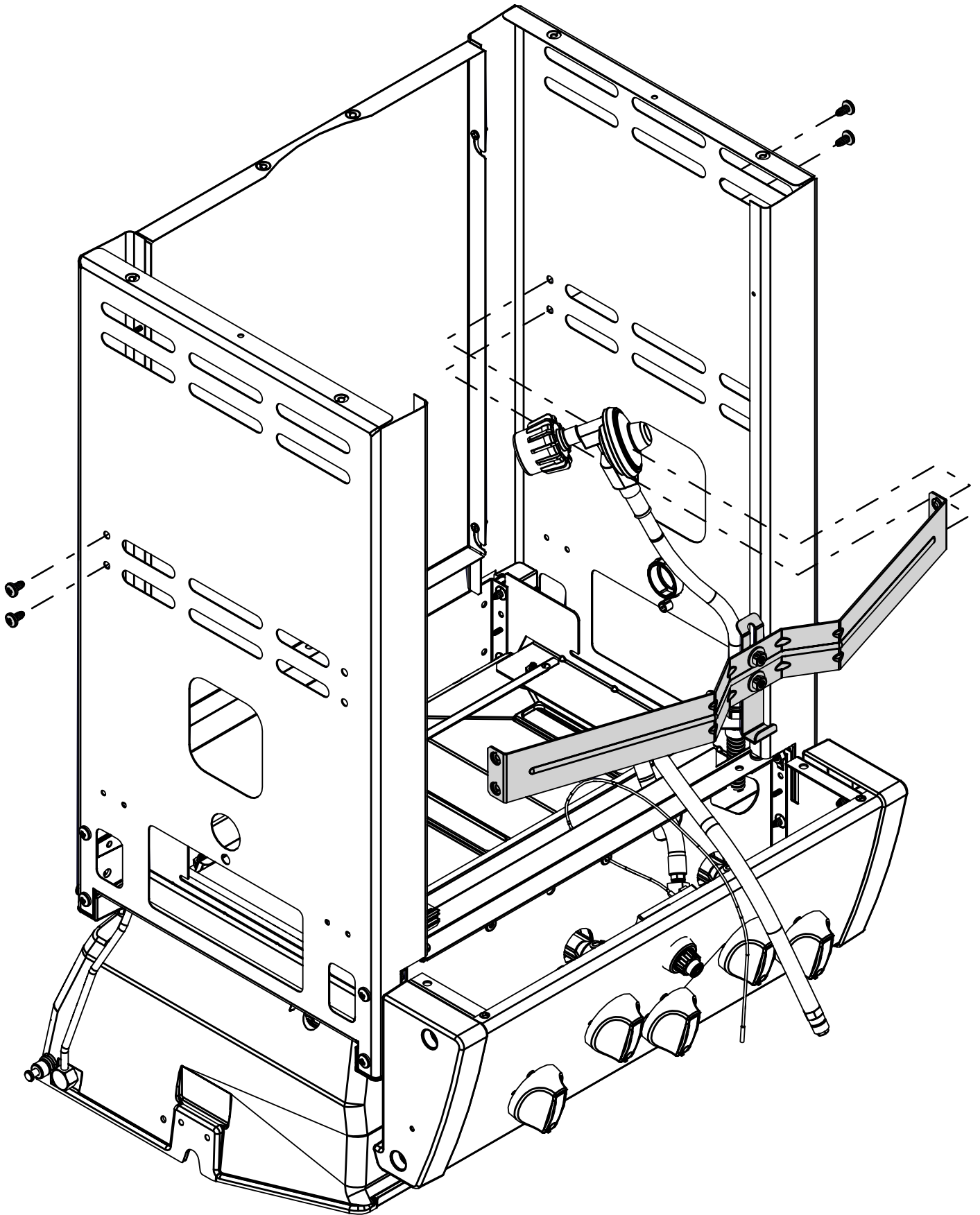
7

(2) 



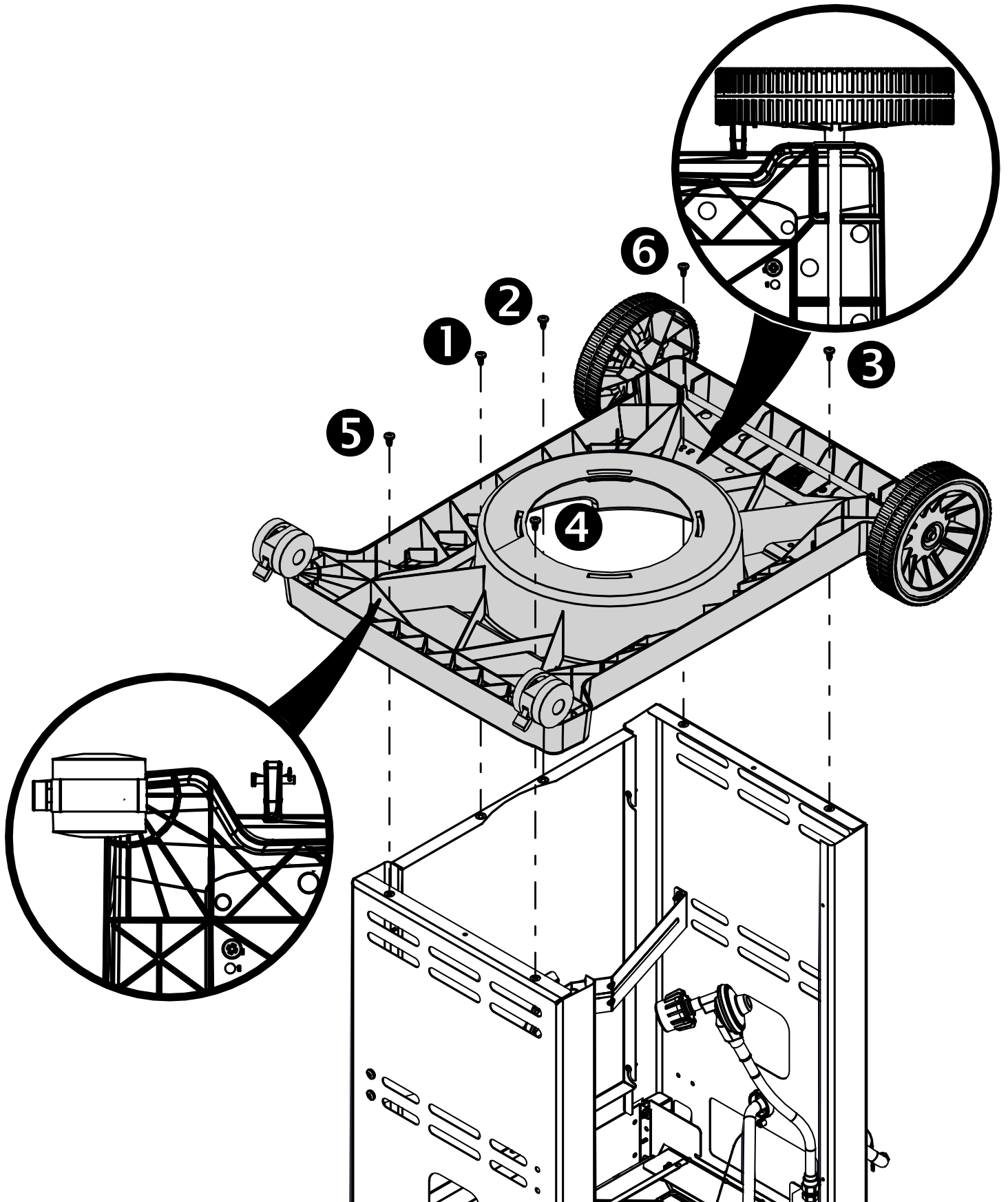
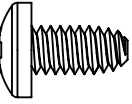
8

(4) 



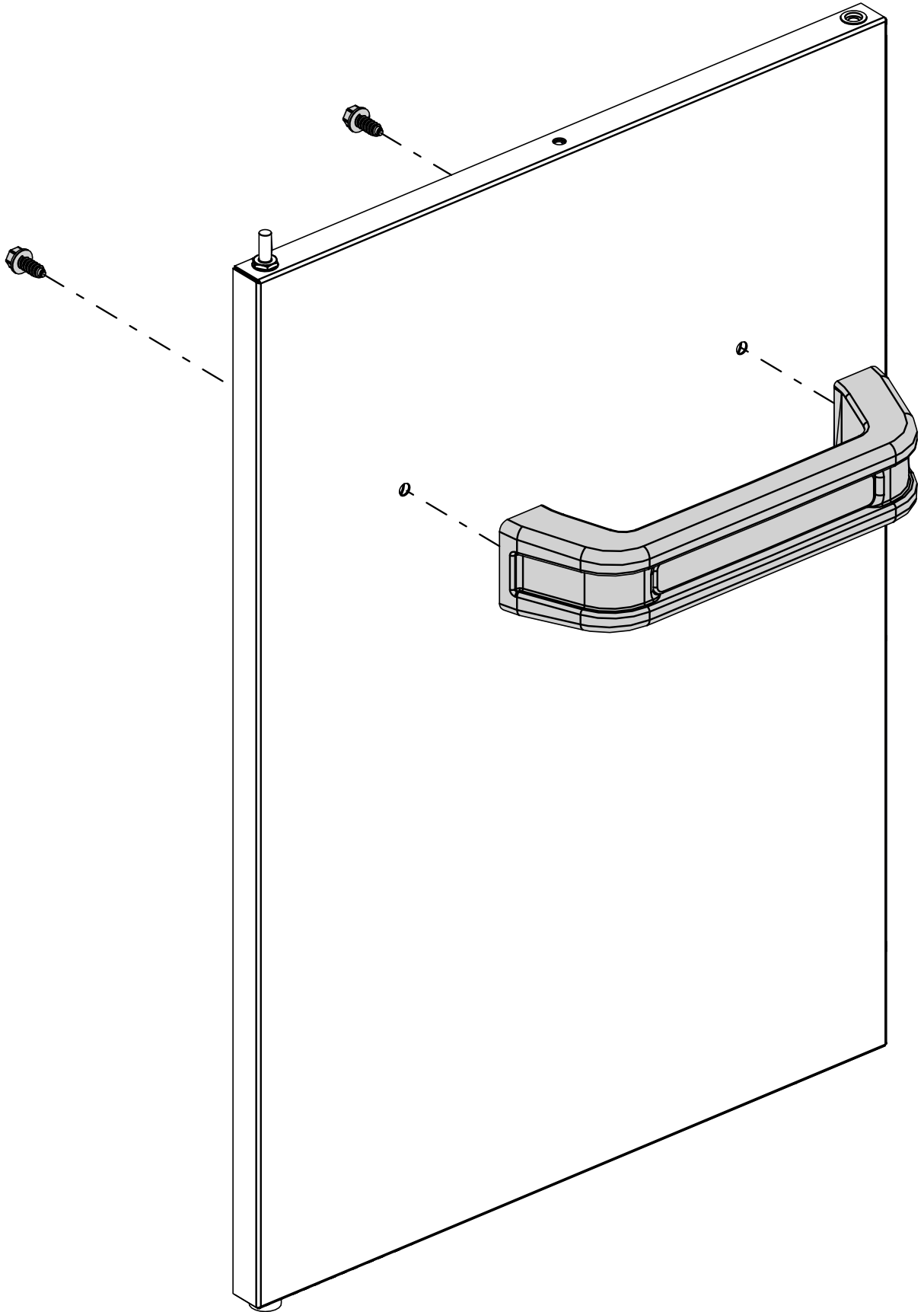
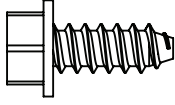
9

(6)



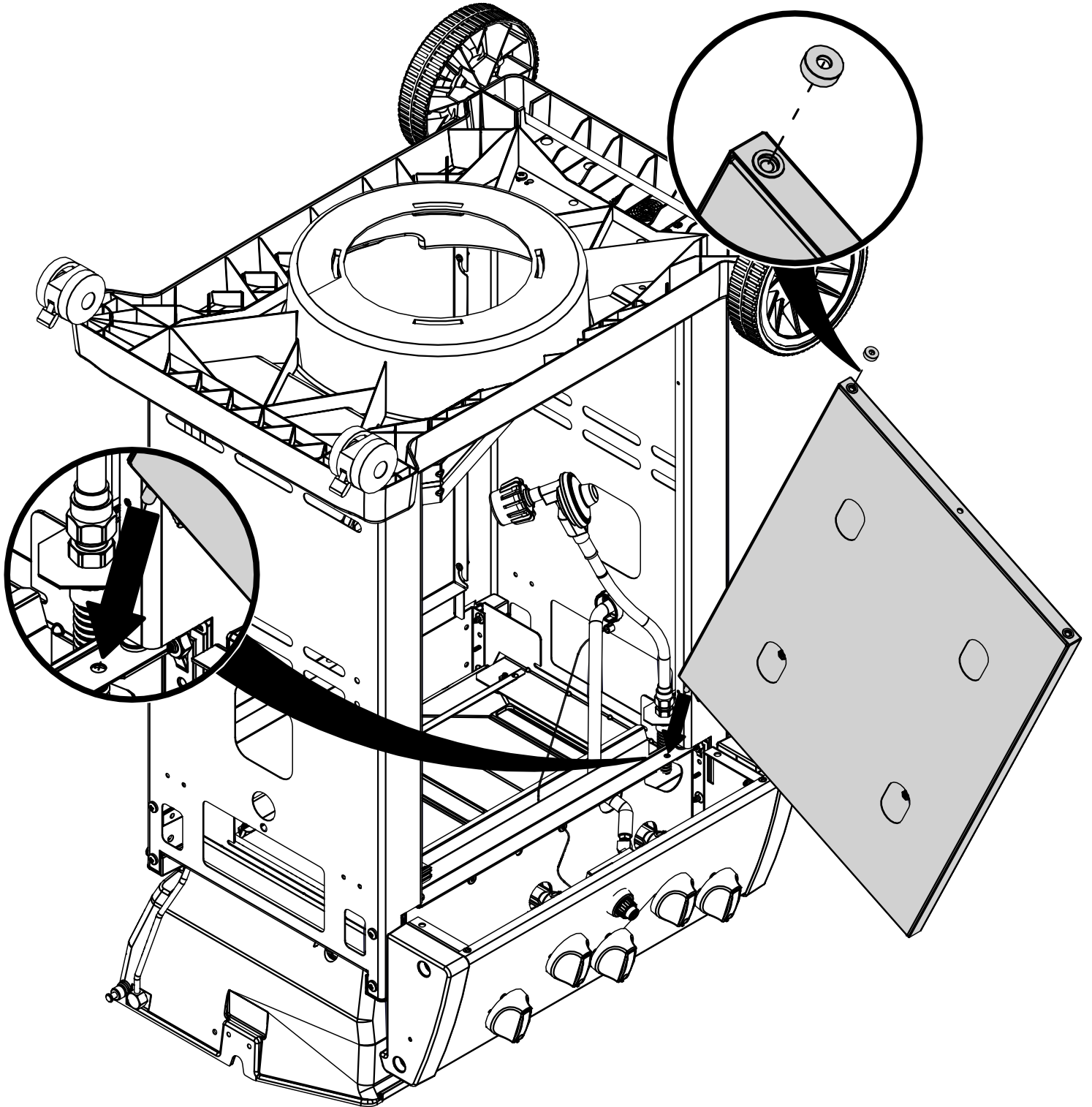
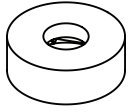
10

(2)



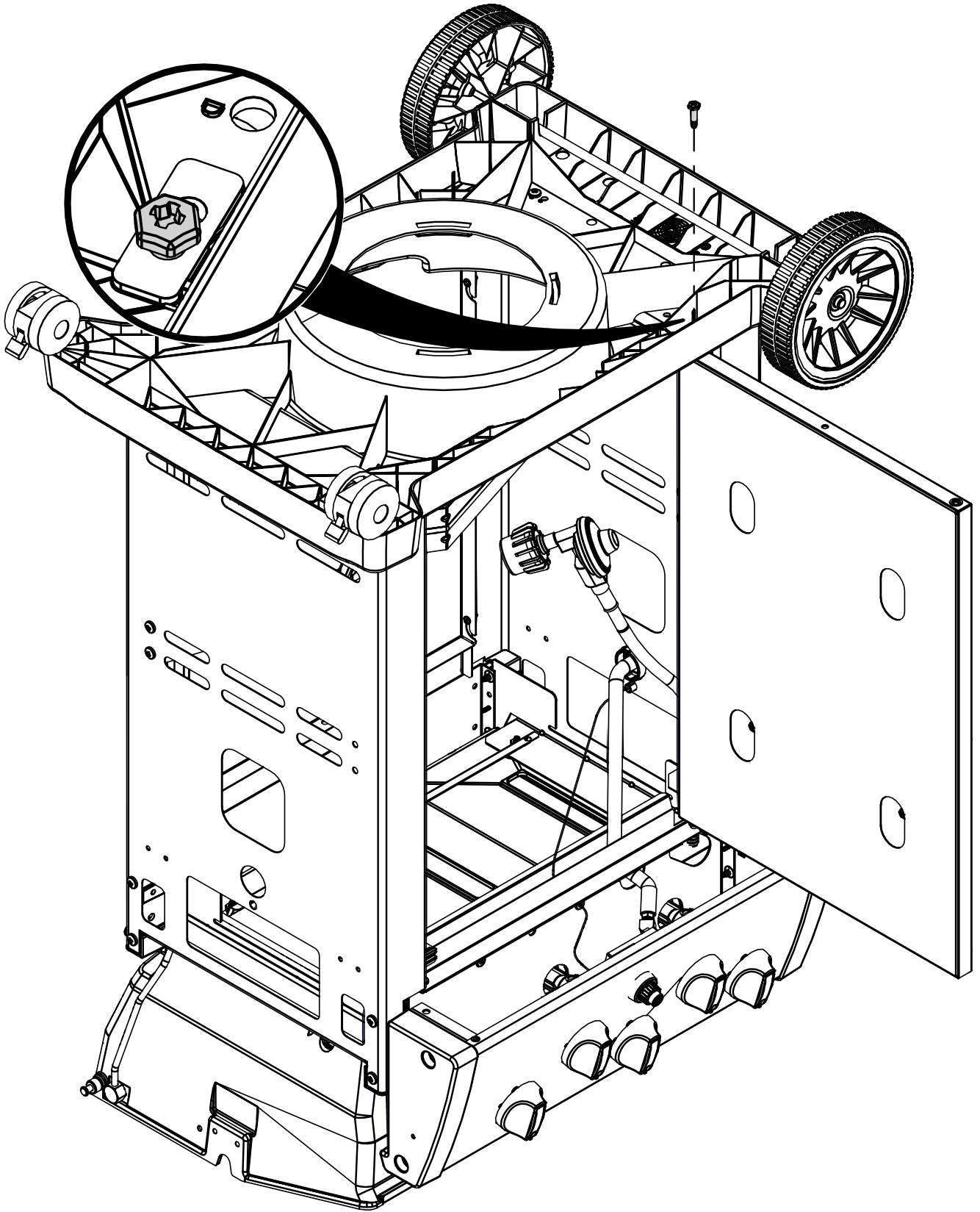
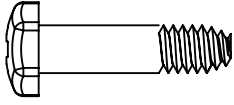
11

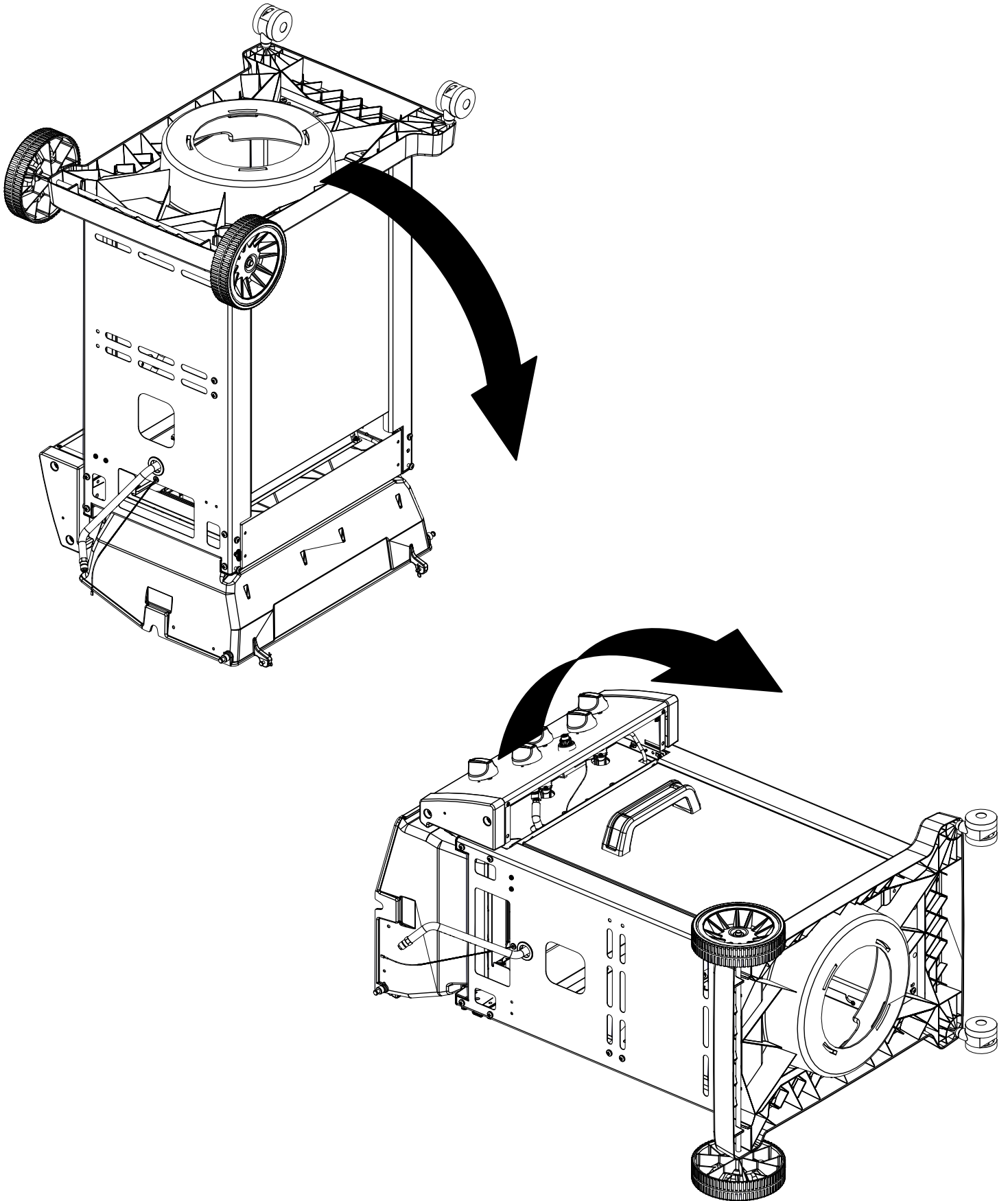
(1)



12

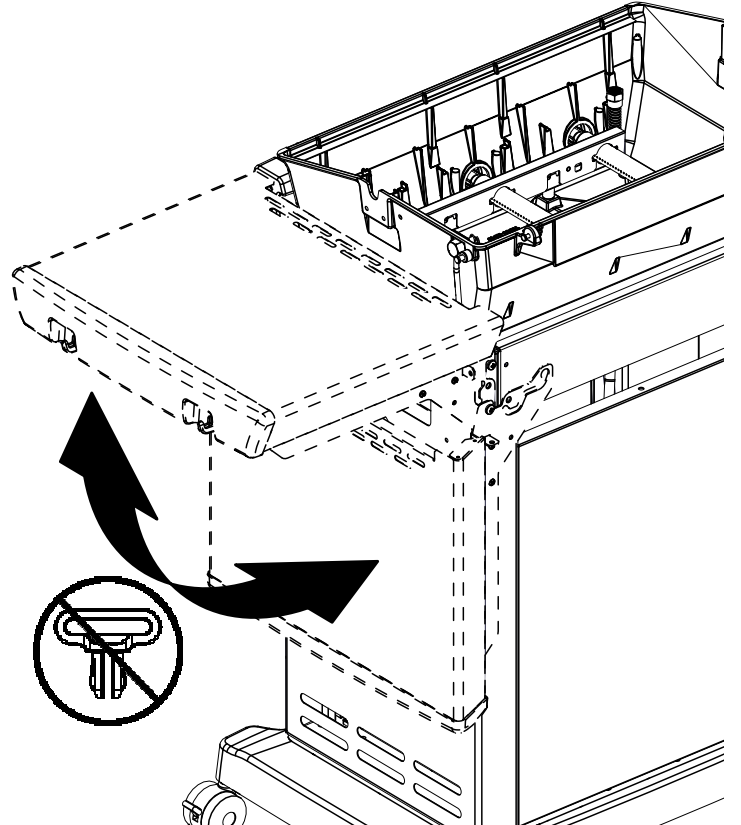
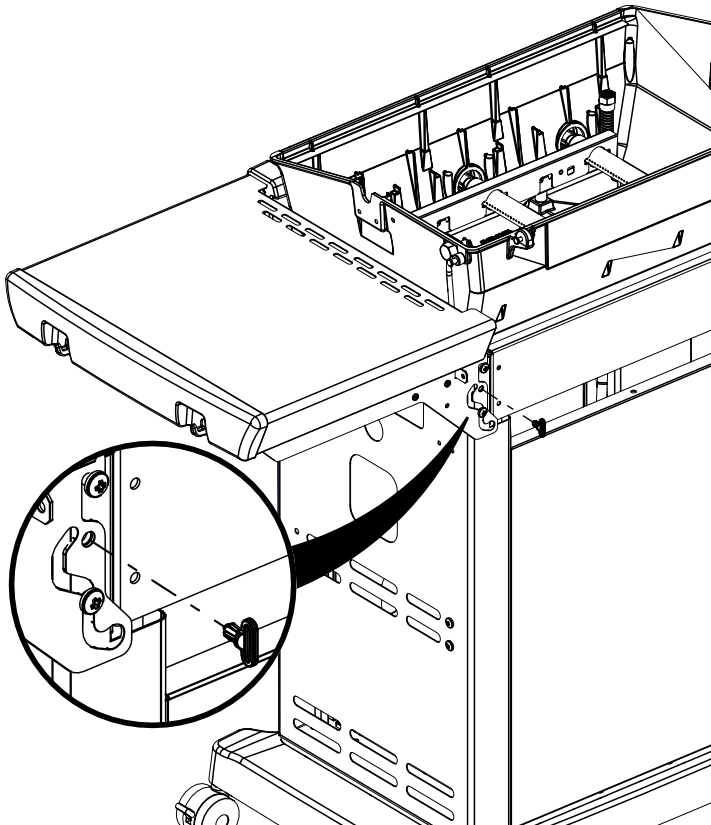
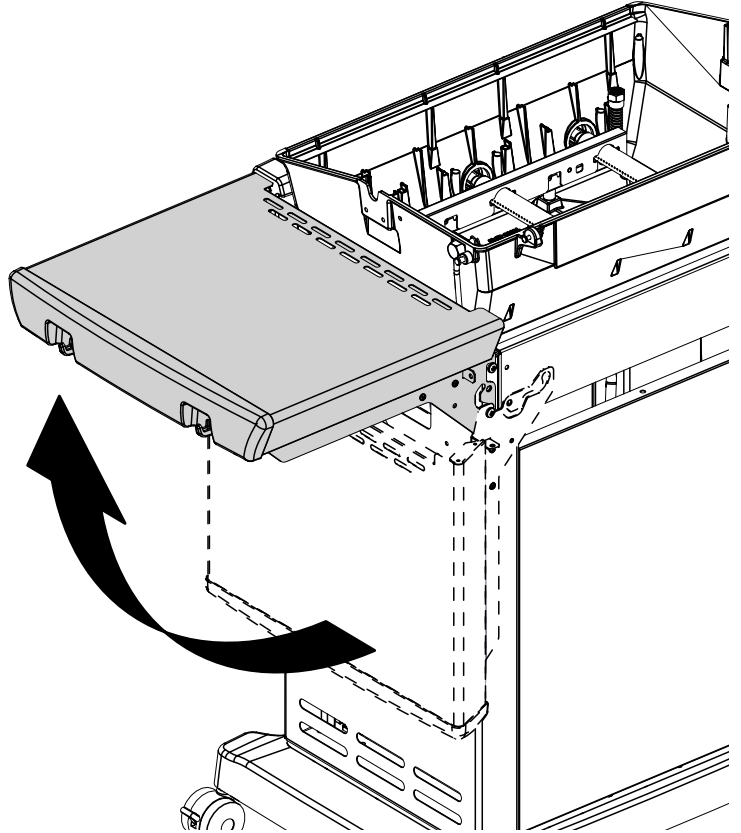
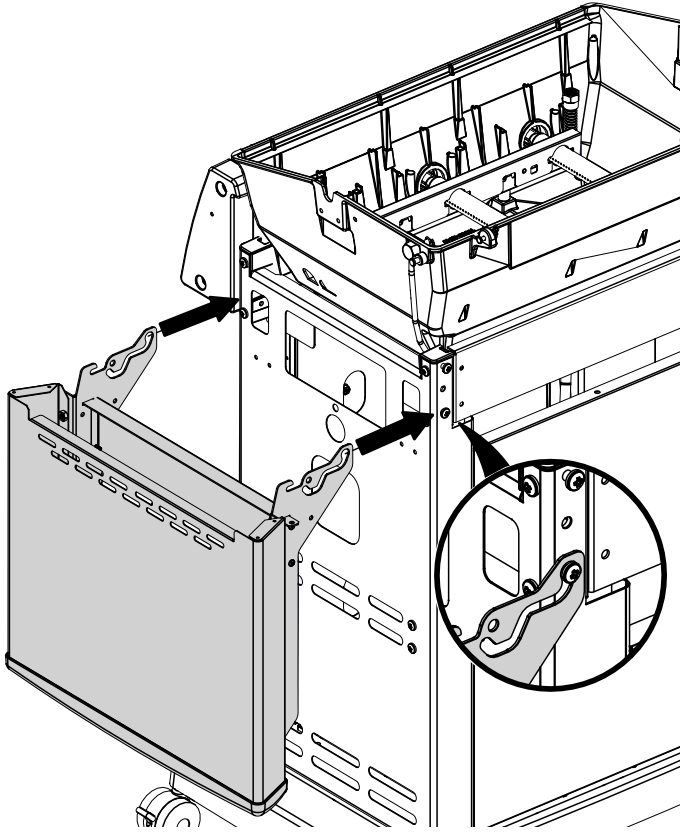
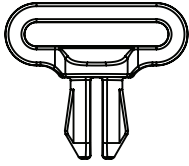
(1)





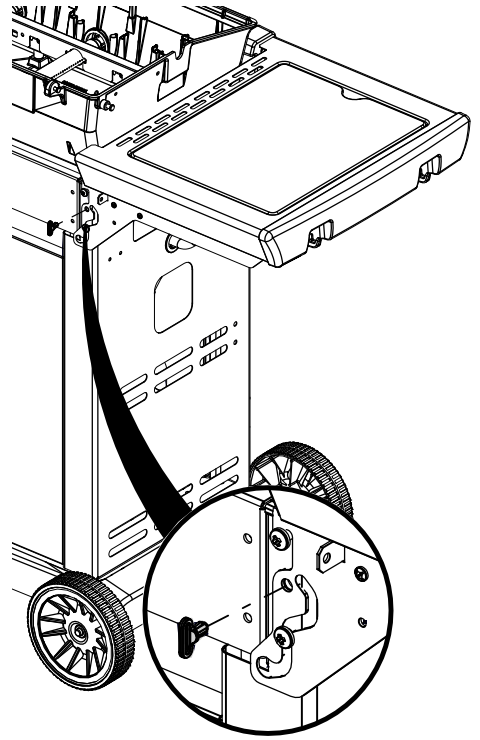
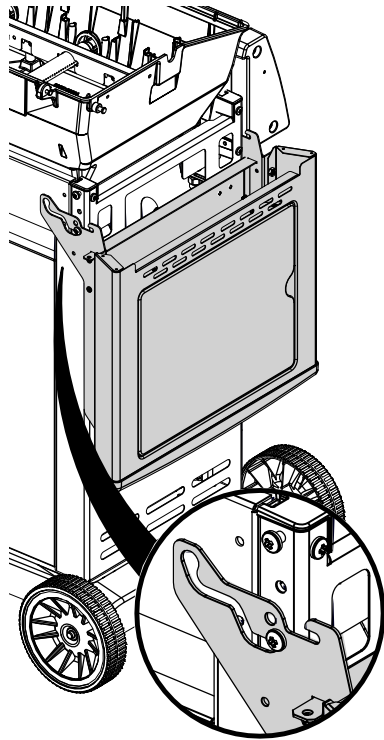
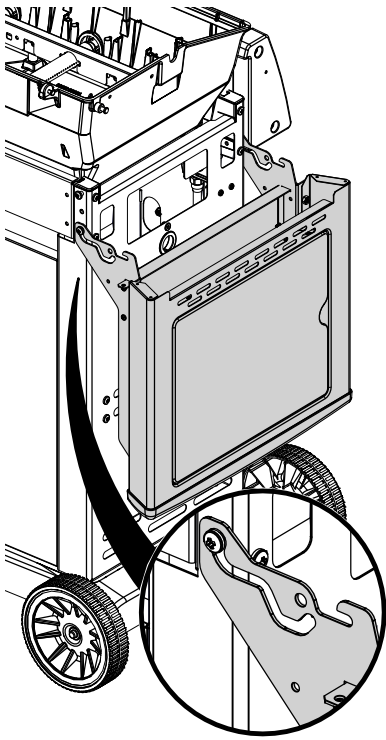
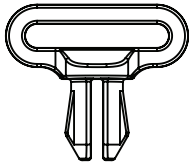
14

(1)

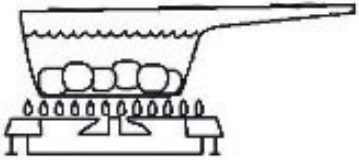


15

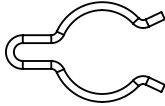
(1)



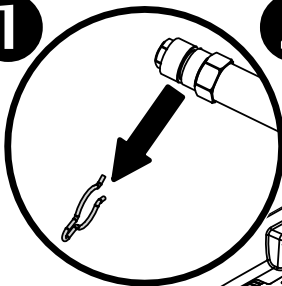
16



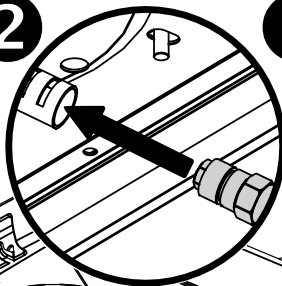
(1)



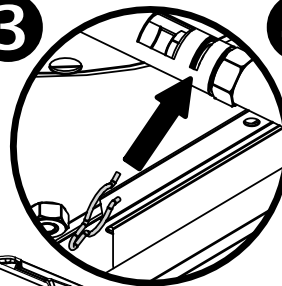
1



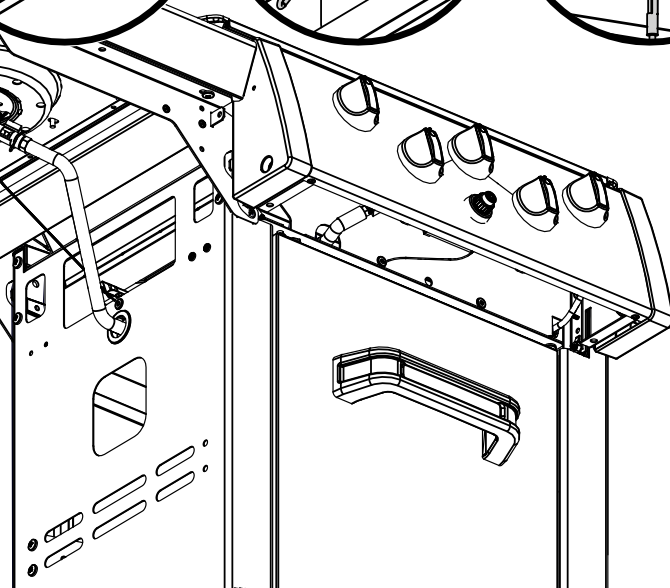
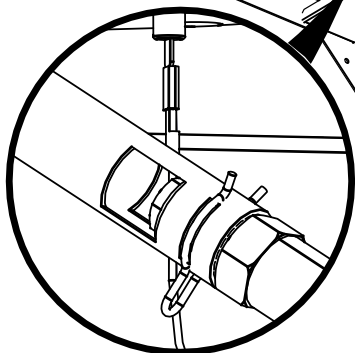
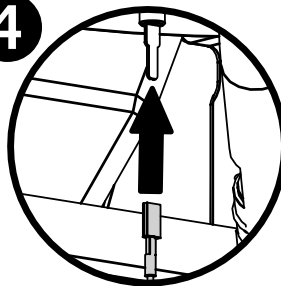
2



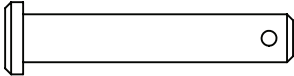
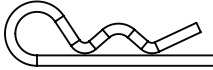
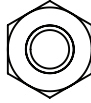
3

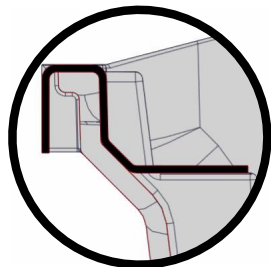
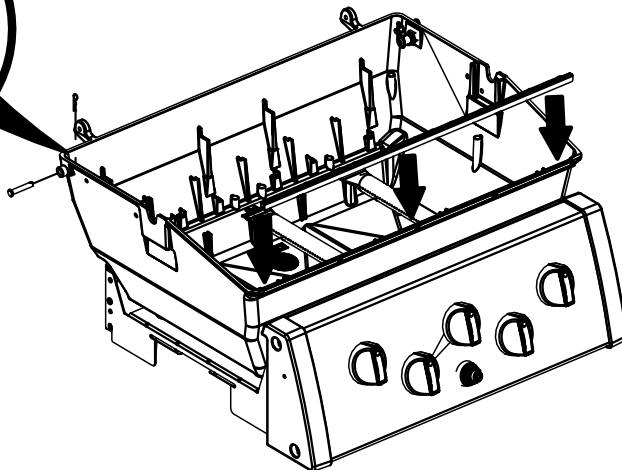
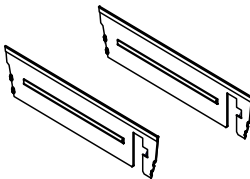
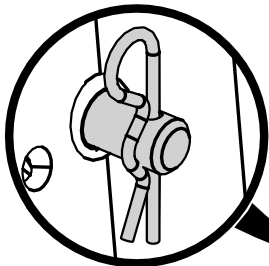
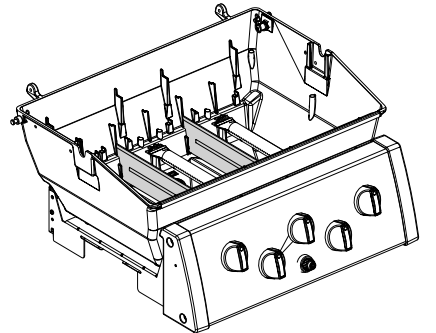
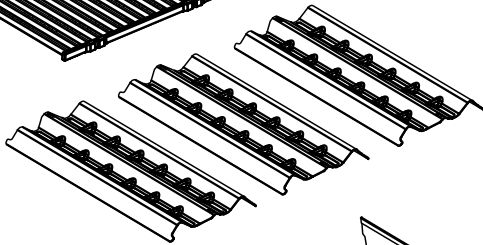
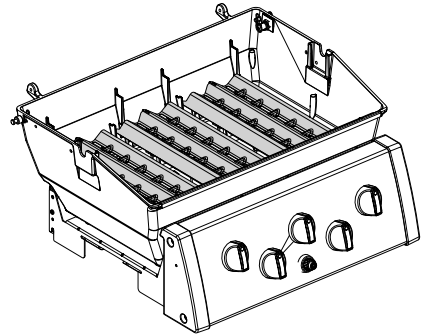
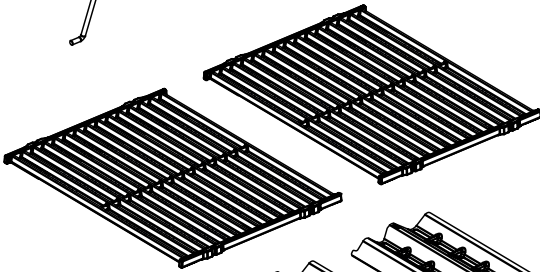
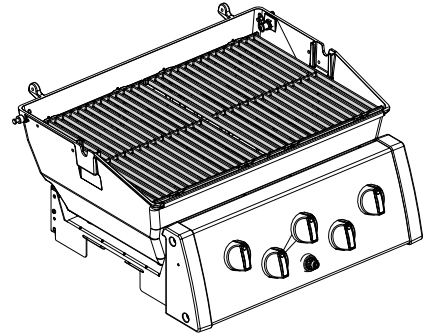
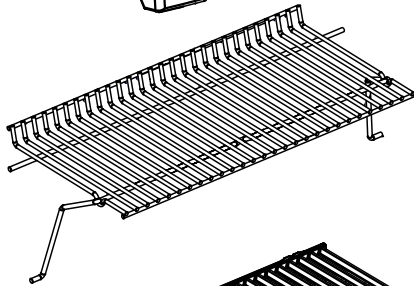
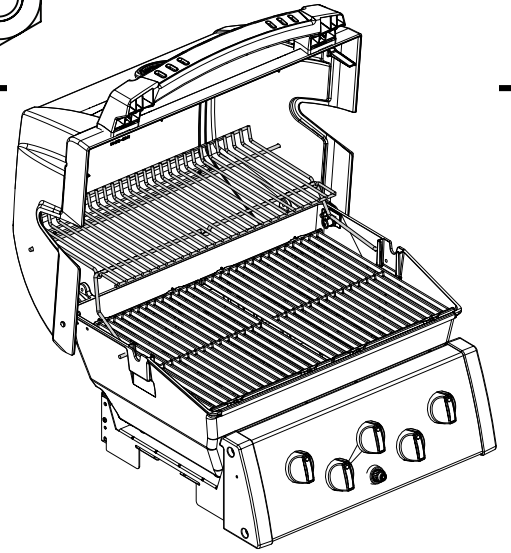
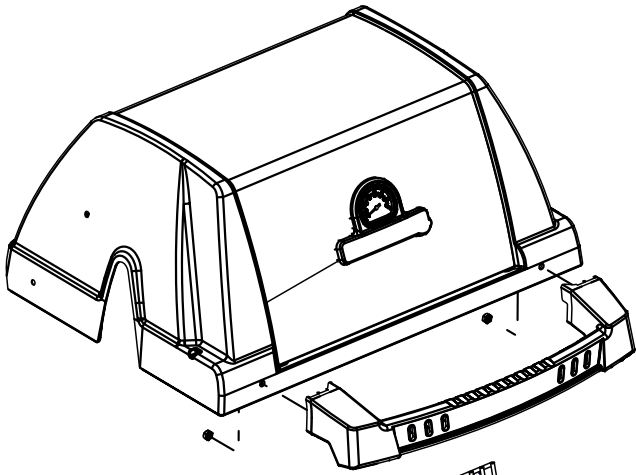


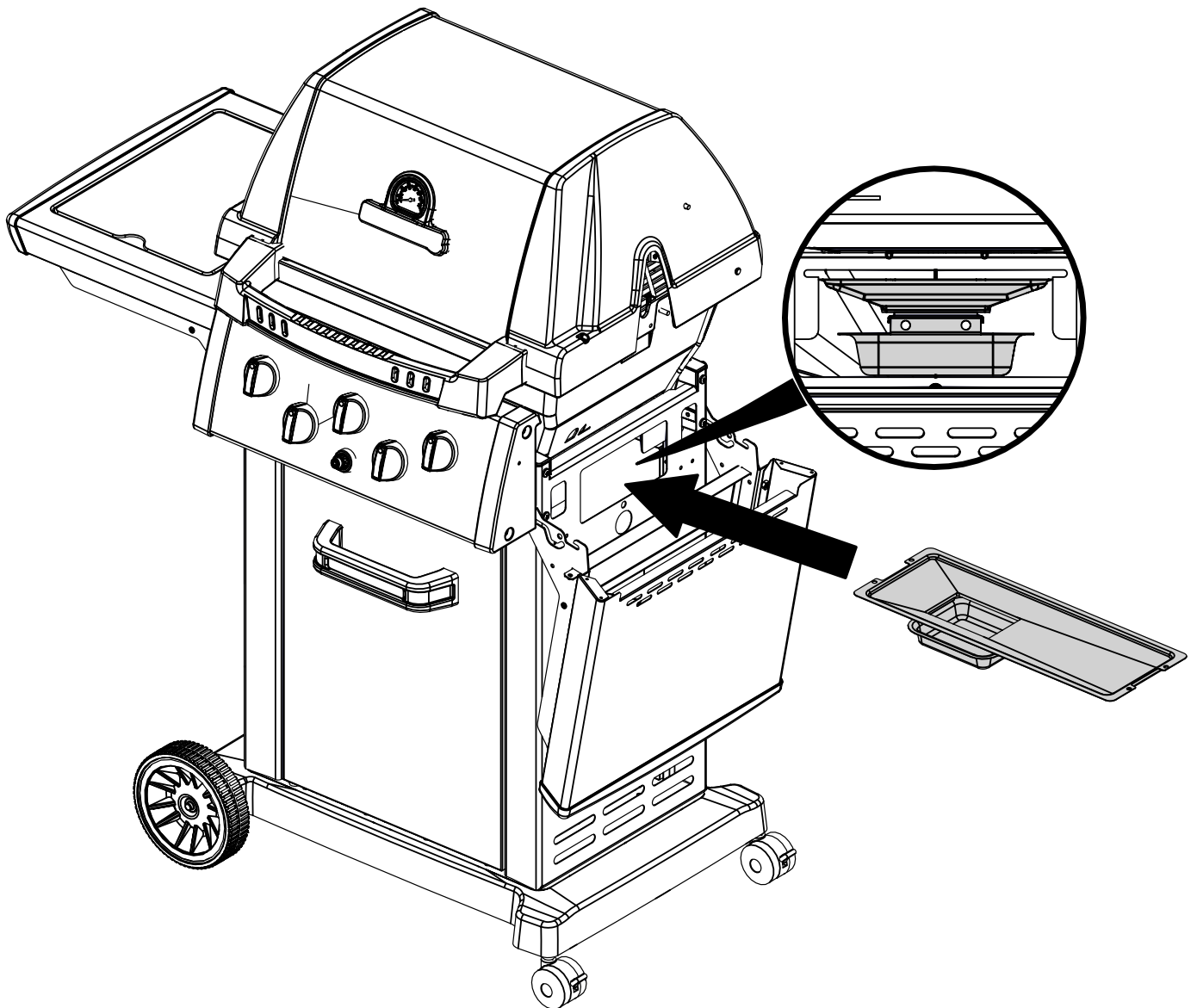
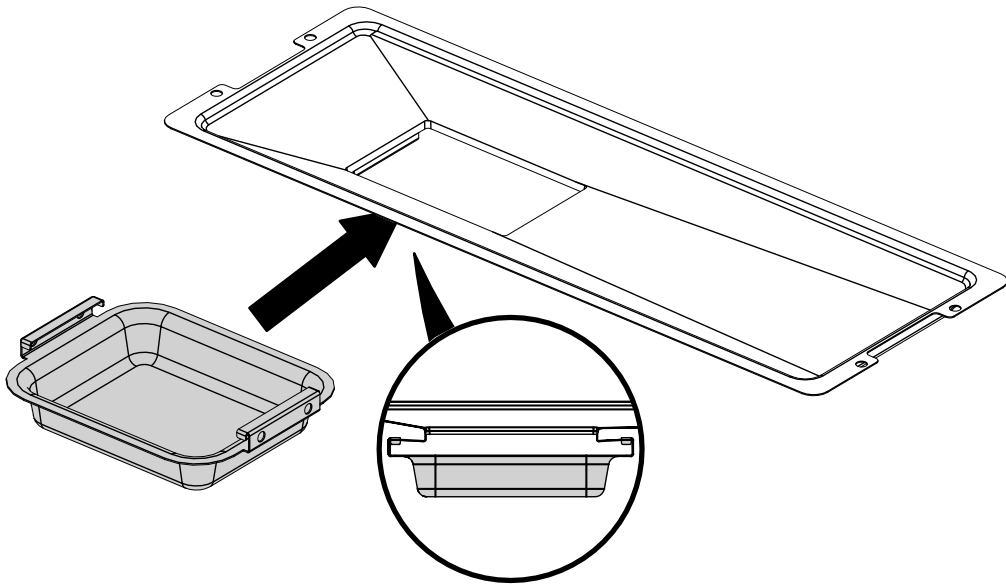
4

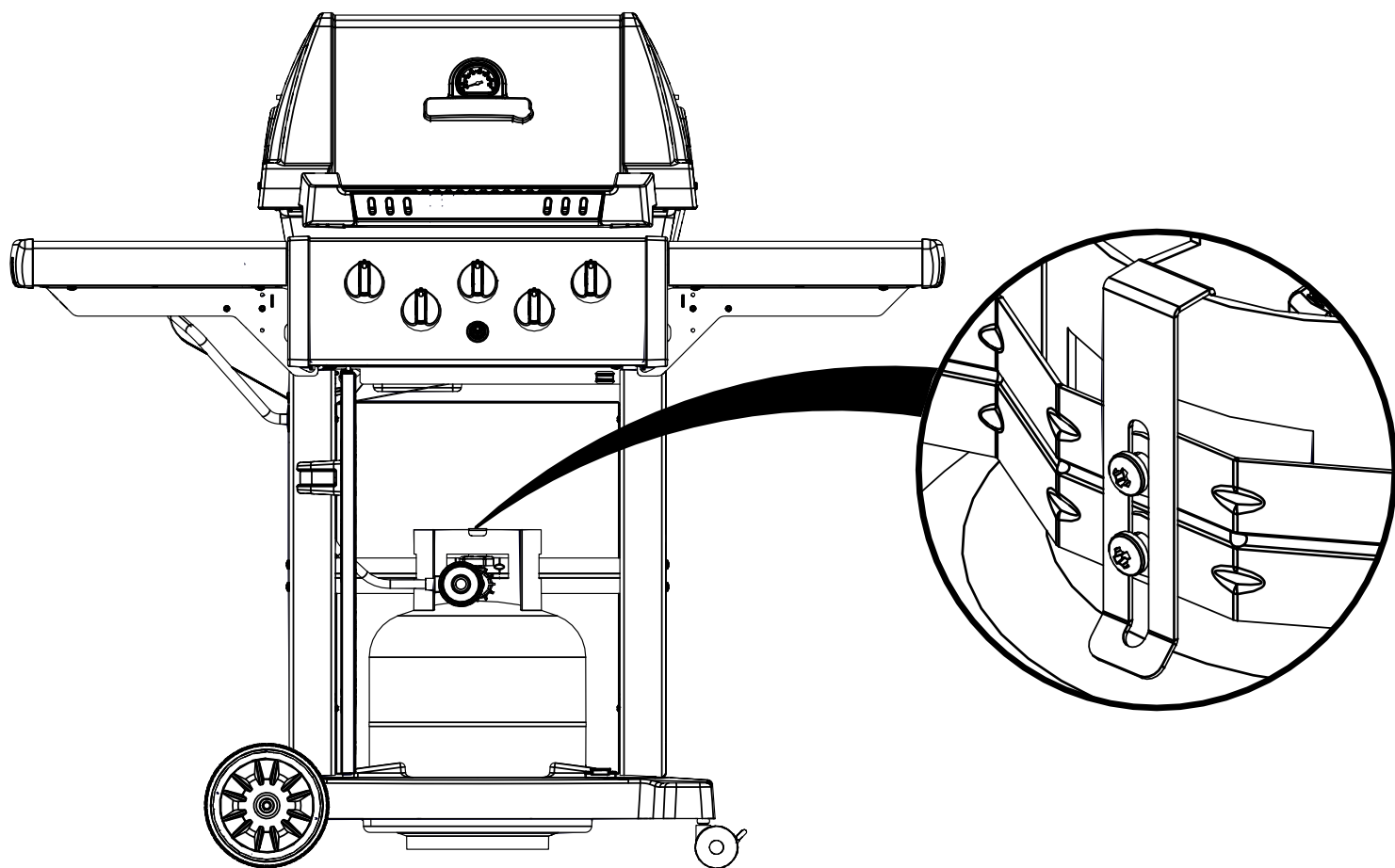


17

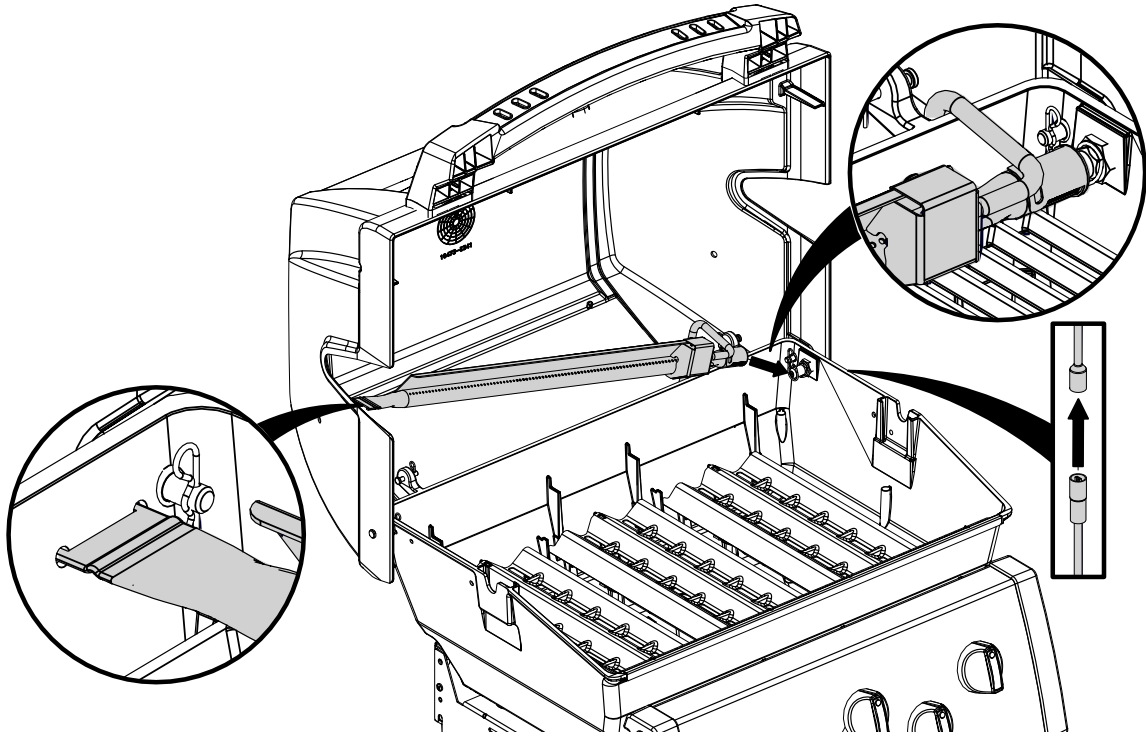
- (2)  (2)  (2) 



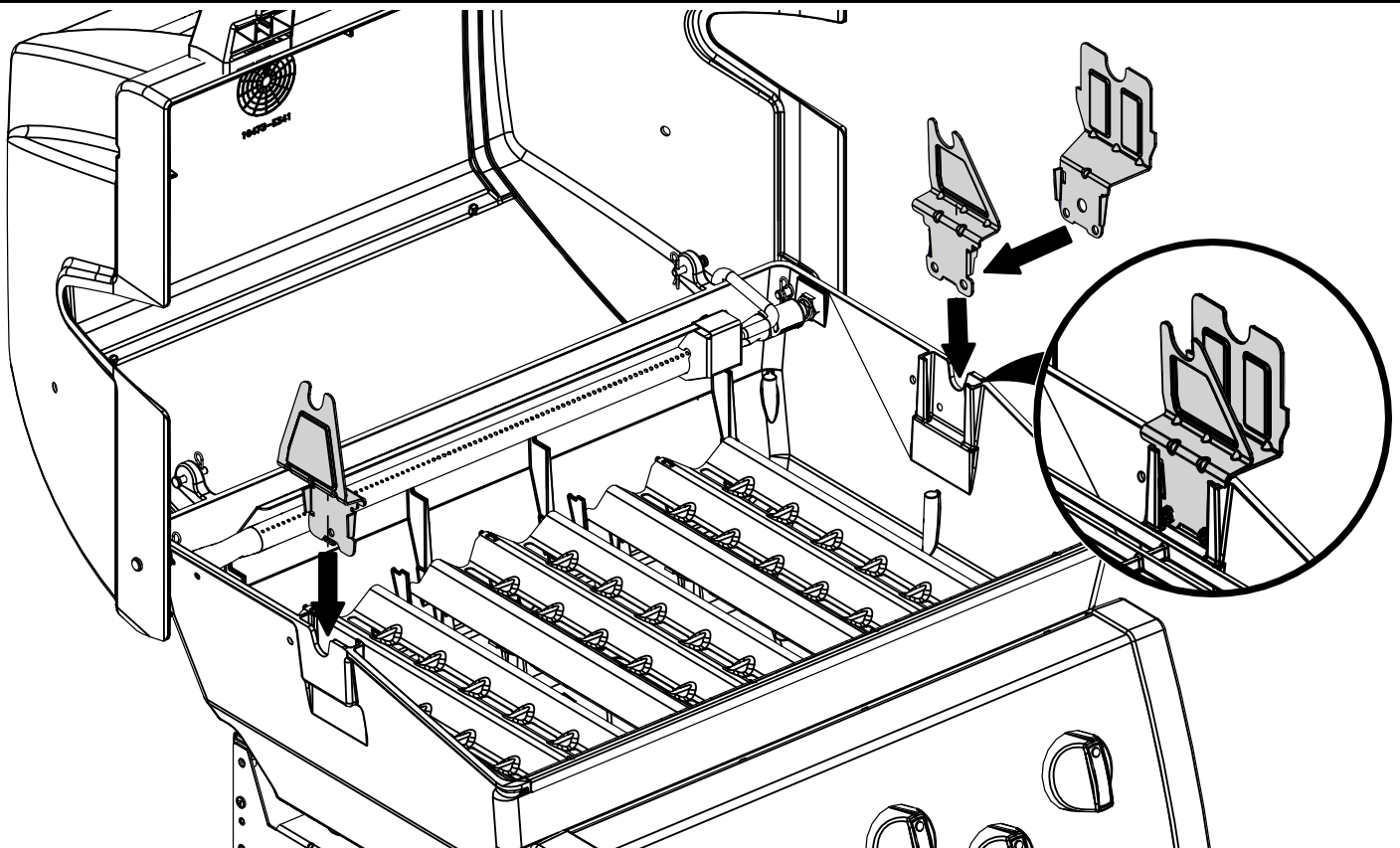




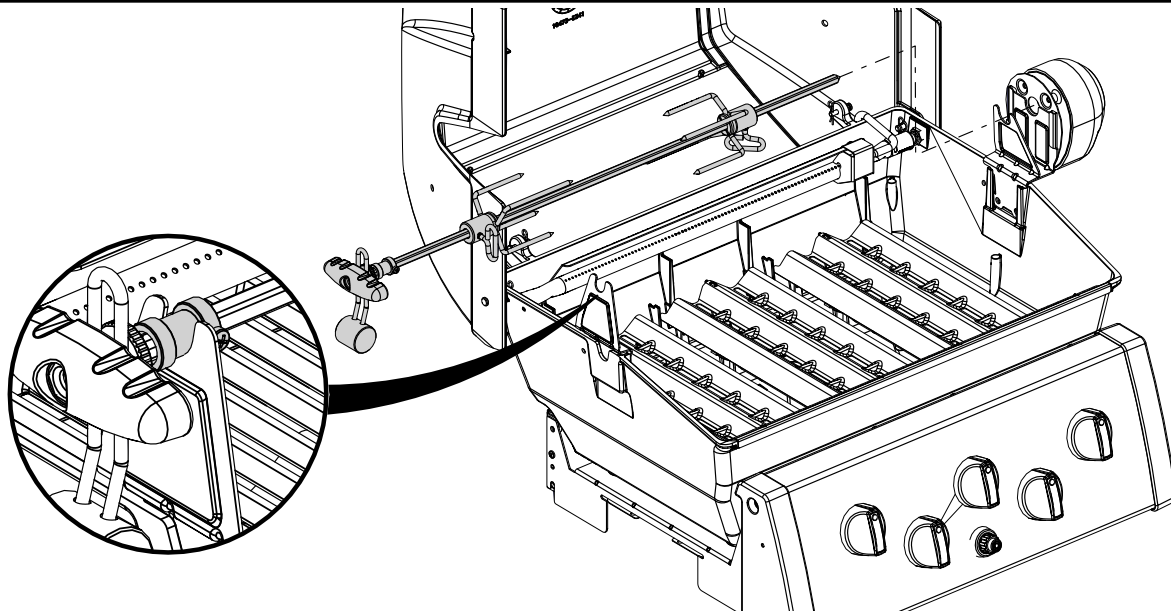
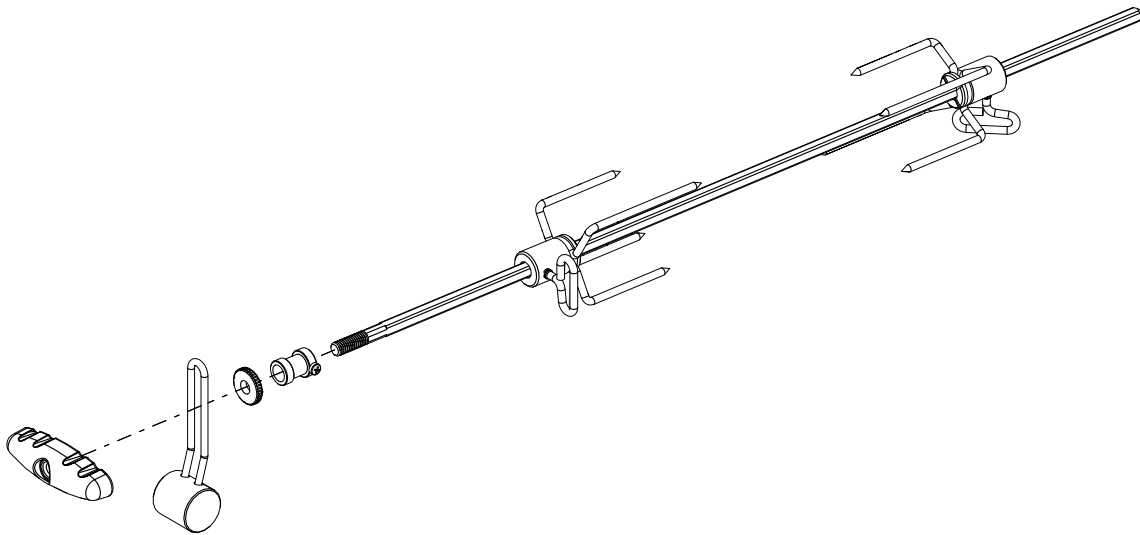
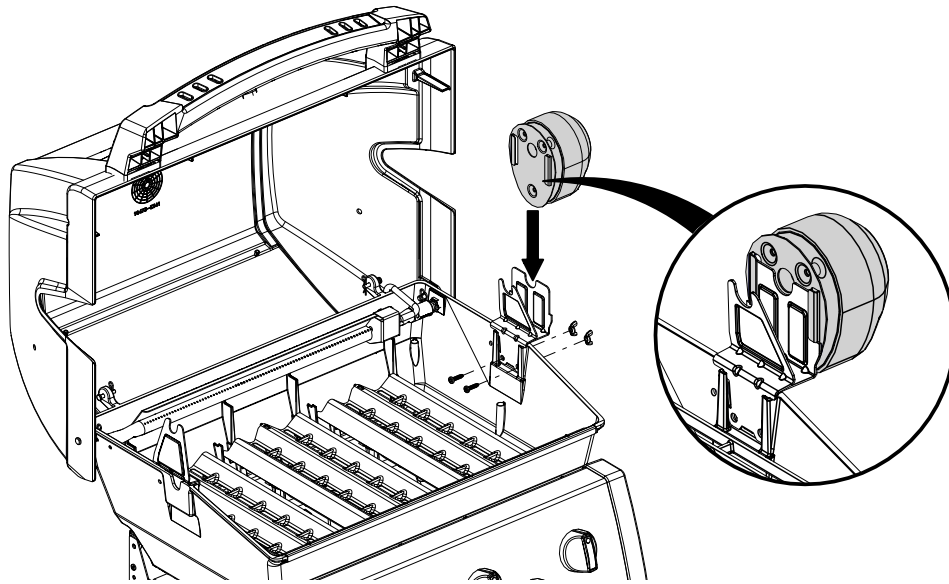
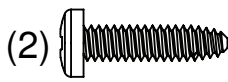
20



21



22



PARTS LIST / LISTE DES PIECES

<u>KEY #</u>	<u>ITEM #</u>	<u>DESCRIPTION</u>	<u>9319-53NZ</u>	<u>9319-83NZ</u>
1	10909-E340A	CASTING BOTTOM	1	1
2	10473-E341	CASTING TOP	1	1
3	10081-BK630	NAMEPLATE	1	1
4	10958-E340A	TOP CASTING INSERT	1	1
5	10571-6	HEAT INDICATOR	1	1
6	10240-15	HINGE PIN	2	2
6A	S21237	HINGE SPACER	2	2
7	S21233	HITCH PIN CLIP	2	2
9	10225-T356	GRID	2	2
10	10222-E400	FLAV-R-WAVE™	3	3
11	10225-E341	GRID - WARMING RACK	1	1
12	10222-E301	DIVIDER	2	2
13	10184-R83	BOSS EXTENSION	1	1
15	10390-E20E	BURNER	1	1
17	10342-245	ELECTRONIC IGNITOR	1	•
	10342-247	ELECTRONIC IGNITOR	•	1
18	10342-E12	ELECTRODE	2	2
19	52224-224A	COLLECTOR BOX	1	1
20	10111-16A	HOSE	1	1
21	29004-014	CONTROL ASSEMBLY - LP	1	•
	29004-074	CONTROL ASSEMBLY - LP	•	1
21A	S13470-091	HOSE-SIDE BURNER LP	•	1
21B	Y-11230	COTTER PIN	•	1
21C	10110-34	TUBE-REAR BURNER ASSY	•	1
22	10111-NZ	HOSE & REGULATOR LP - QCC1	•	1
23	10472-K431	CONTROL KNOB	3	5
30	10194-F138	CONTROL COVER	1	•
	10194-F198	CONTROL COVER	•	1
31	10711-E34	EDGE CAP - CONTROL COVER	1	1
32	10711-E33	EDGE CAP - CONTROL COVER	1	1
33	10184-E96	RADIATION SHIELD	1	1
34	10184-E97	GREASE RAIL	1	1
35	10184-E501	SUPPORT-CASTING-LEFT	1	1
36	10184-E511	SUPPORT-CASTING-RIGHT	1	1
37	10184-E651	SUPPORT-SIDE SHELF-LEFT	2	2
37A	10184-E62	SUPPORT-SIDE SHELF-LEFT	2	2
38	10184-E641	SUPPORT-SIDE SHELF-RIGHT	2	2
38A	10184-E63	SUPPORT-SIDE SHELF-RIGHT	2	2
39	10956-E421	BRACE-REAR	1	1
40	10958-E71	BASE	1	1
41	10956-E311	BRACE-FRONT	1	1
43	10958-E761	SIDE PANEL BLK	2	2
44	10958-E361	PANEL - REAR	1	1
45	10184-E981	BRACKET - DOOR CATCH	1	1
48	10184-E691	BRACKET - SHELF	2	2
50	70711-E821	SHELF	1	1
51	10711-E831	SHELF	•	1
	10711-E821	SHELF	1	•
56	10892-7G	WHEEL	2	2
60	10711-E49	END CAP - SHELF	2	2
66	S13006AE	BURNER ROTISSERIE	•	1
68	S21362	SPRING	•	1
69	10958-E48AB	DOOR	1	1
70	21475-138	HANDLE	1	1
71	10696-102	REAR BURNER-ORIFICE	•	1
72	S21420	PUSH NUT	2	2
73	Y-11990	HEX NUT	•	1

PARTS LIST / LISTE DES PIECES

<u>KEY #</u>	<u>ITEM #</u>	<u>DESCRIPTION</u>	<u>9319-53NZ</u>	<u>9319-83NZ</u>
74	S21084	SCREW - #14 x 3/4	5	5
75	10184-E302A	HANDLE	1	1
76	S21255	WASHER	4	4
78	10892-13	CASTOR	2	2
79	Y-11561	BOLT – 1/4:20 x 1 3/4	12	12
80	Y-11546	SCREW- 1/4-20 X 5/8	10	10
81	Y-12860	SCREW – 1/4-20 X 1 3/8	4	4
82	Y-12673	SHELF - LOCK PIN	2	2
83	Y-12865	BOLT- 1/4-20 X 1/2	12	12
84	S15170	AXLE	1	1
85	Y-12855	BOLT- 1/4-20 X 3/8	9	9
87	Y-11793	NUT- 1/4-20	18	18
96	S21125	SCREW – 8 X 1/1	4	4
98	S21124	SCREW – 8 X 1/2	39	39
99	Y-12646	SCREW – 8 X 1/2	•	2
104	Y-12835	SCREW – 6-32 X 1/4	•	2
105	Y-12853	WASHER	•	2
106	Y-12861	CAP SCREW - 1/4-20 X 3/8	•	2
107	Y-12863	WASHER	•	4
110	53140-981	GRID	•	1
111	10390-E10E	SIDE BURNER	•	1
113	10342-T16	ELECTRODE – SIDE BURNER	•	1
114	23000-251	COVER-SIDE BURNER	•	1
115	Y-29304	SCREW #10-24 X 3/8	2	2
117	23000-271	SHELF-SIDE BURNER	•	1
122	57054-901	GREASE TRAY	1	1
123	52009-901	GREASE PAN	1	1
135	Y-12119	BUSHING	3	3
136	10184-E44	ROTISSERIE SHIELD	1	1
137	10184-E42	ROTISSERIE BRACKET	1	1
138	10184-E43	ROTISSERIE SHIELD	1	1
139	S21061	WING NUT	2	2
140	Y-29306	BOLT - 10-24 x 3/4	2	2
141	S15271	HANDLE	•	1
142	S15270	BALANCER	•	1
143	S15263	BUSHING	•	1
144	Y-12220	BUSHING	•	1
145	S15264	SPIT ROD	•	1
146	S21257	MOTOR	•	1
147	S15299	WASHER	•	1
148	S15287	4 PRONG FORKS	•	1
149	10240-20	DOOR PIN	1	1
150	10184-E211	TANK CLAMP	1	1
151	10184-E151	TANK STRAP	1	1
152	Y-12222	MAGNET	1	1
153	Y-12223	SNAP IN MAGNET	1	1
154	Y-11795	LOCK NUT	2	2
155	10070-E340MS	MATCH LIGHT - STICK	1	1
164	Y-12124	DOOR PIN CAP	1	1
165	Y-11561	BOLT- 1/4-20 X 1-1/2	1	1
166	Y-12117	BUSHING	•	2

