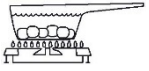
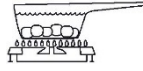


Broil King®



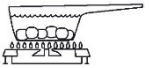
Broil King

REGAL 440
9562-63NZ
9962-63NZ



Broil King

REGAL 490
9562-83NZ
9962-83NZ



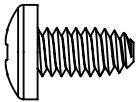


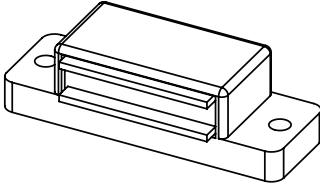
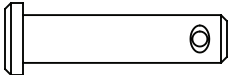
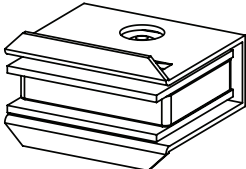
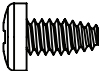
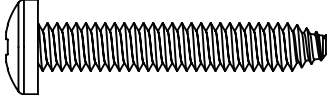

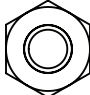
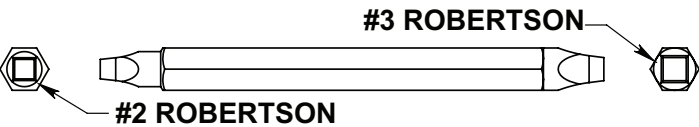
Broil King

REGAL
S490 PRO
9563-43NZ

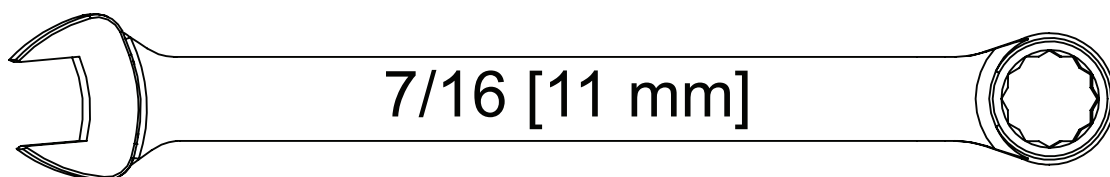
Onward
SINCE 1906
MANUFACTURING COMPANY
585 KUMPF DRIVE LIMITED
WATERLOO, ONTARIO, CANADA
N2V 1K3

20084-E77NZ REV F 09/20

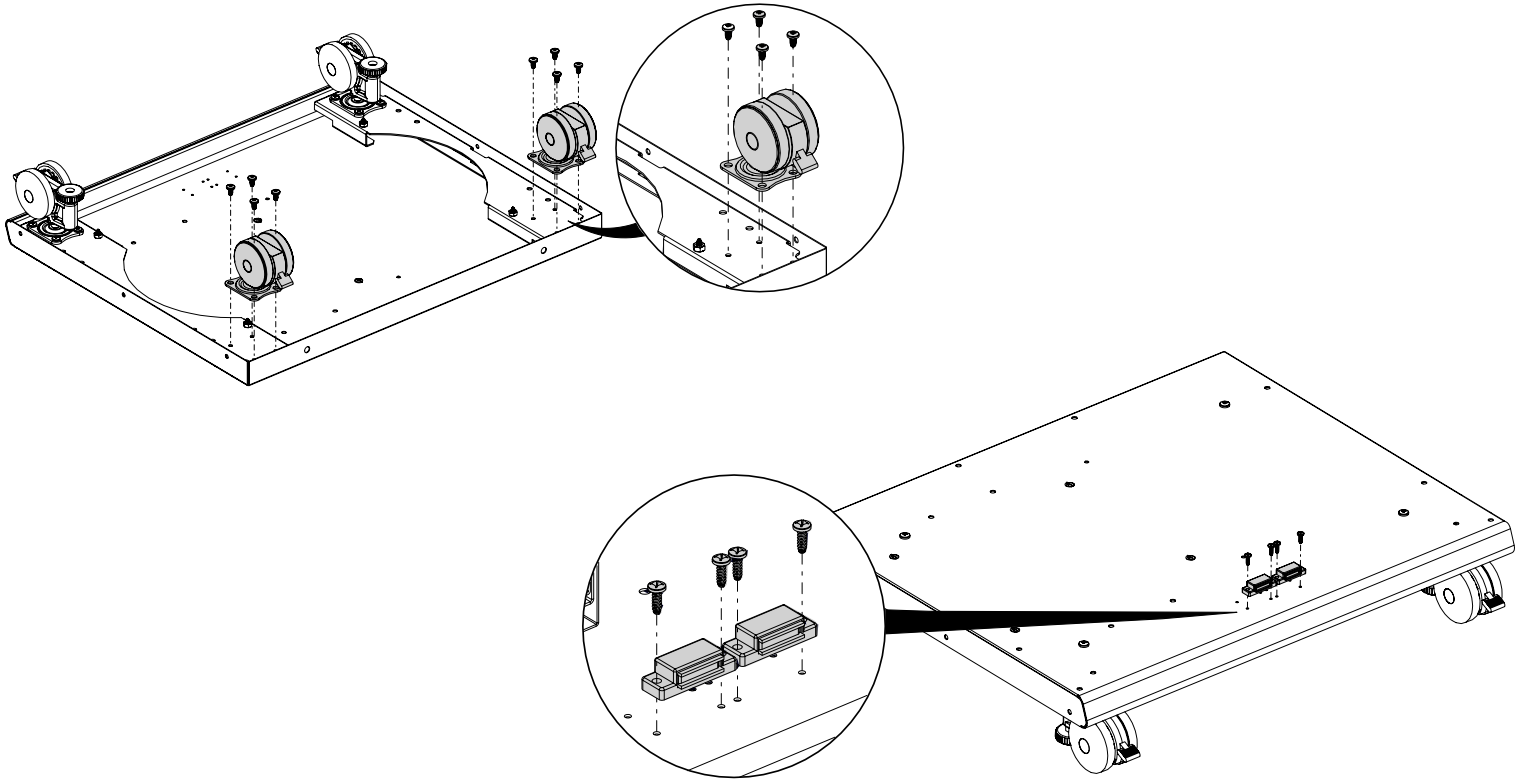
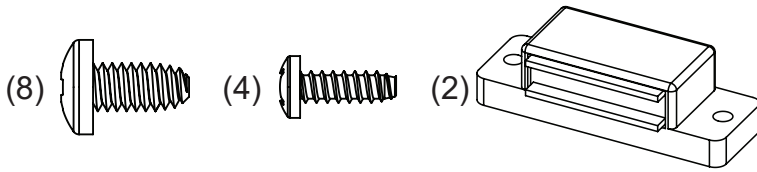
HARDWARE INCLUDED / MATERIAL INCLUS / EQUIPOS INCLUIDO

Y-12865		(26)	S21124		(8)
S21125		(4)	Y-12222		(2)
S21235		(2)	Y-12223		(2)
Y-29304		(6)	Y-11560		(4)
S21233		(2)	Y-11793		(4)
					

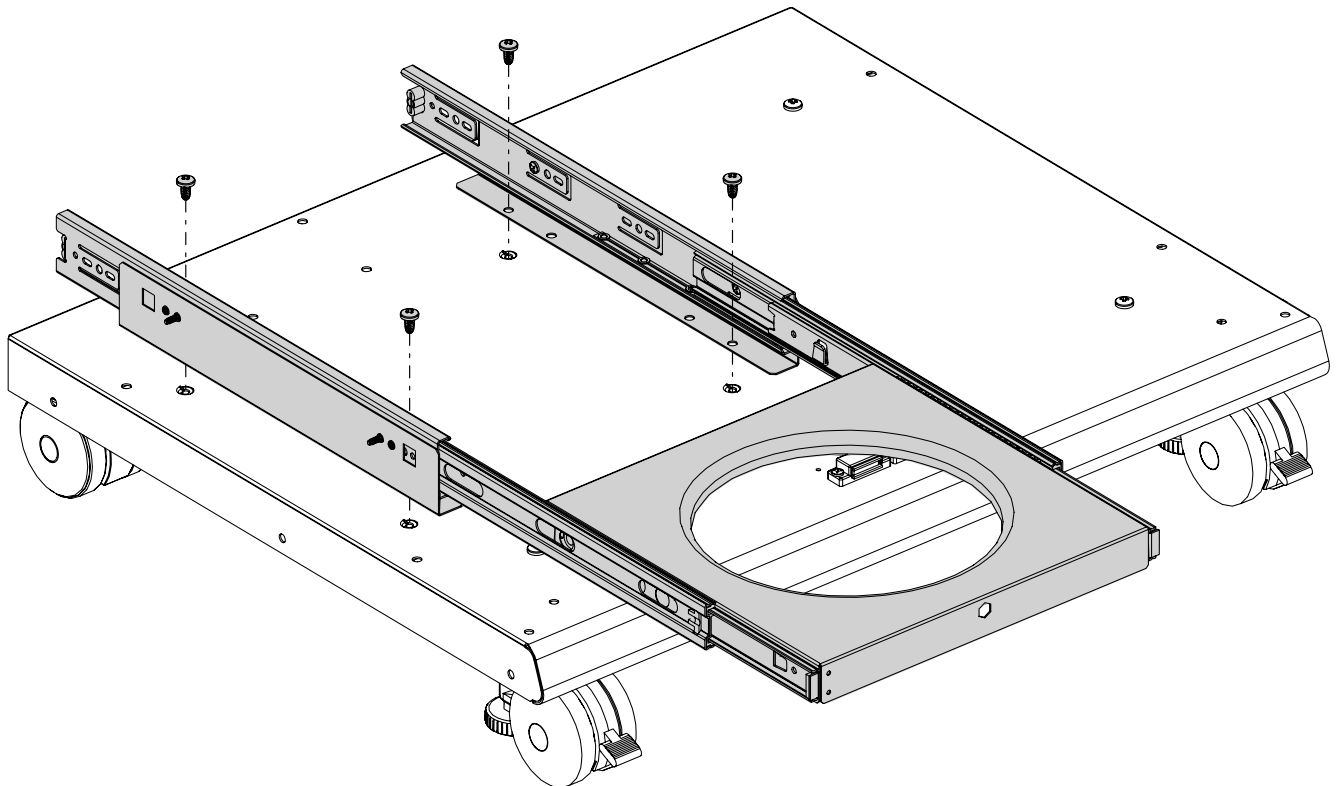
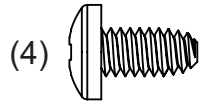
TOOLS REQUIRED / OUTILS NECESSAIRES / HERRAMIENTAS NECESARIAS



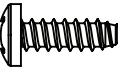
1



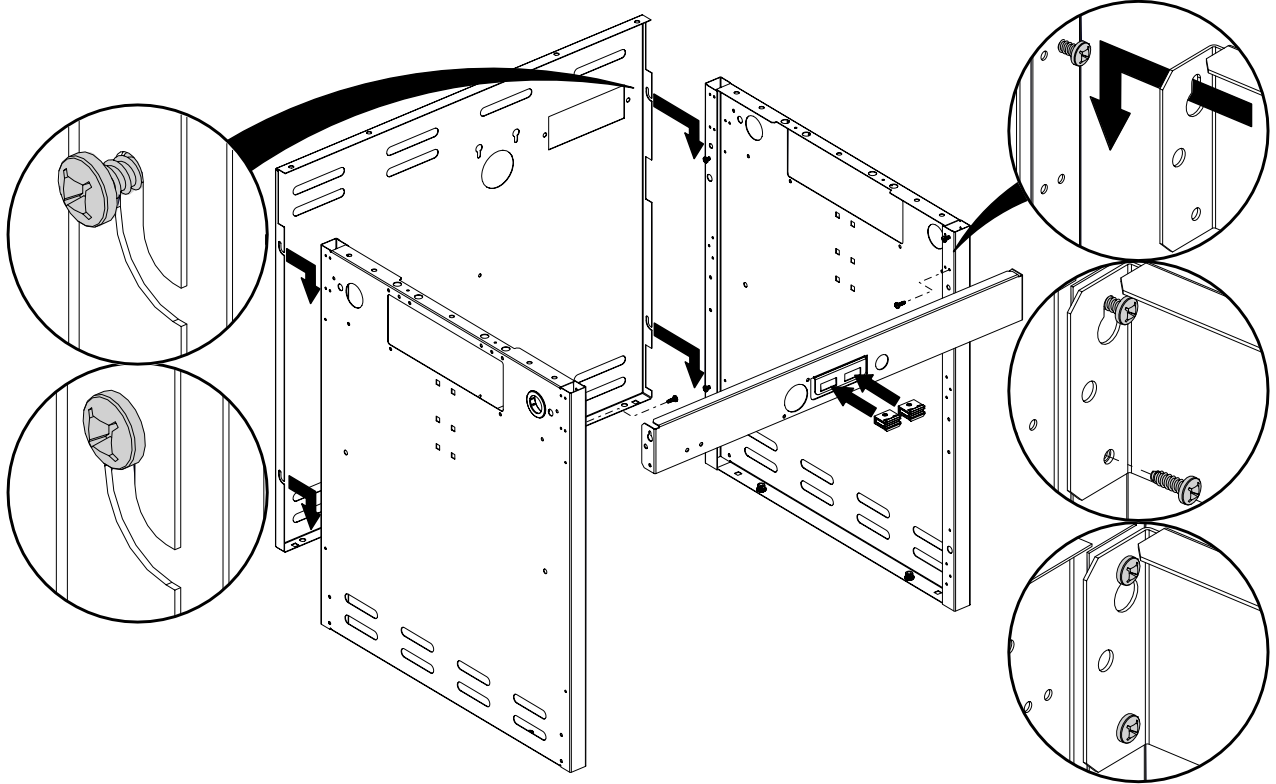
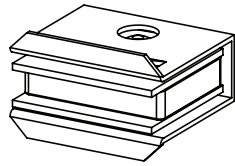
2



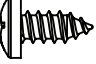
3

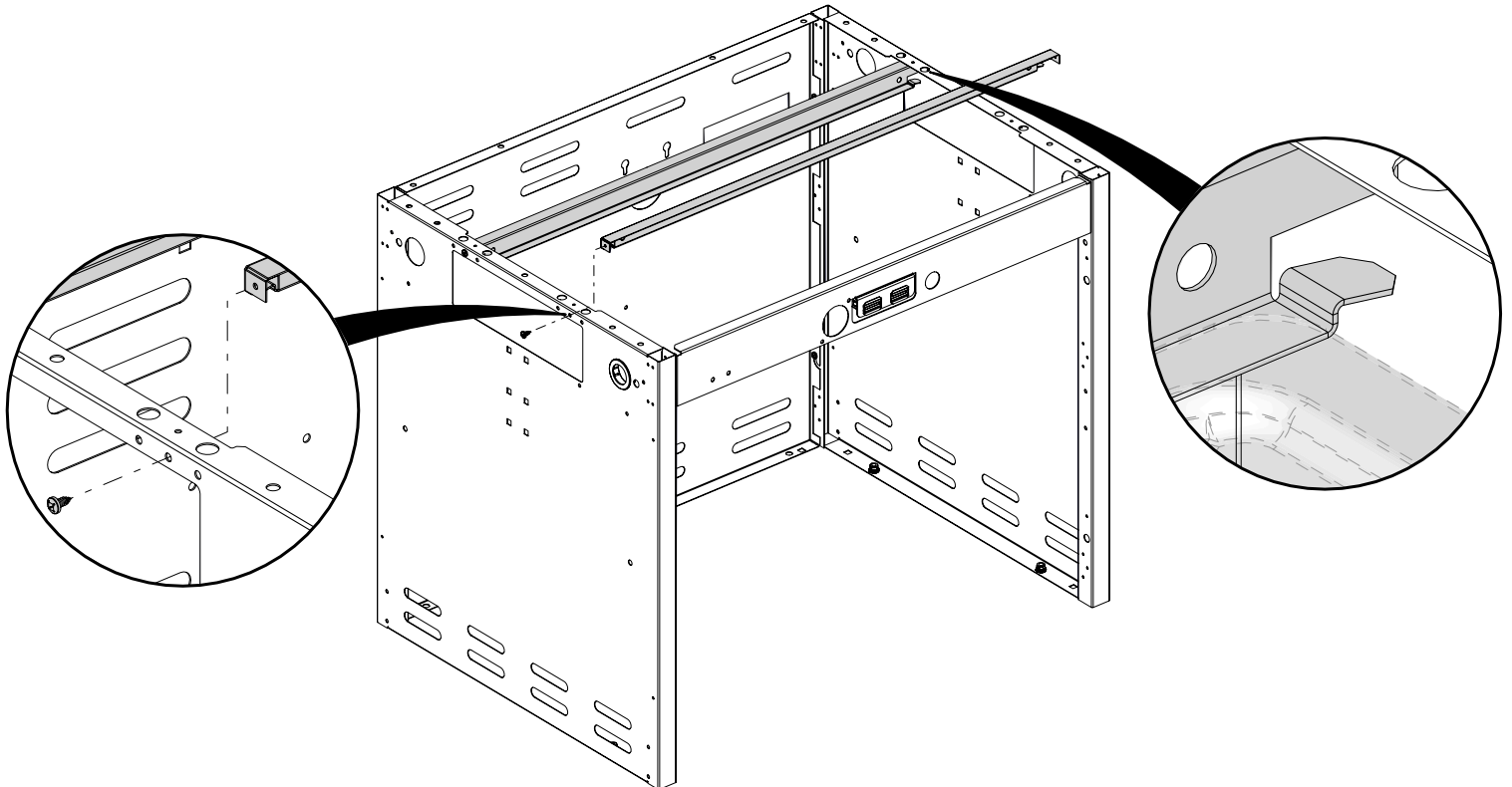
(2) 

(2)

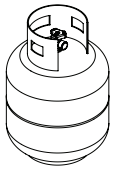


4

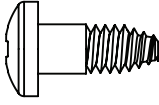
(4) 



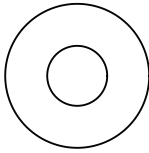
5



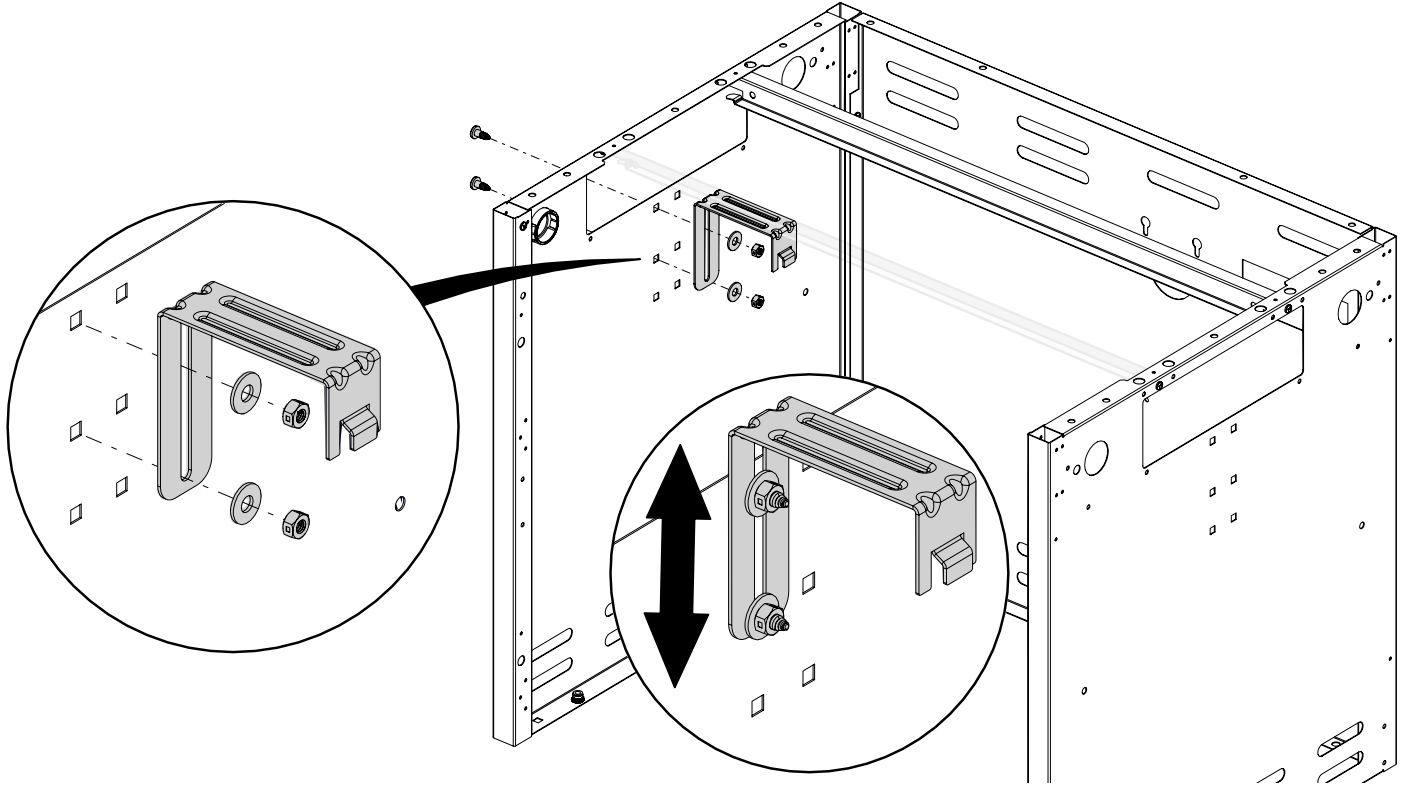
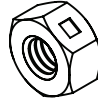
(2)



(2)

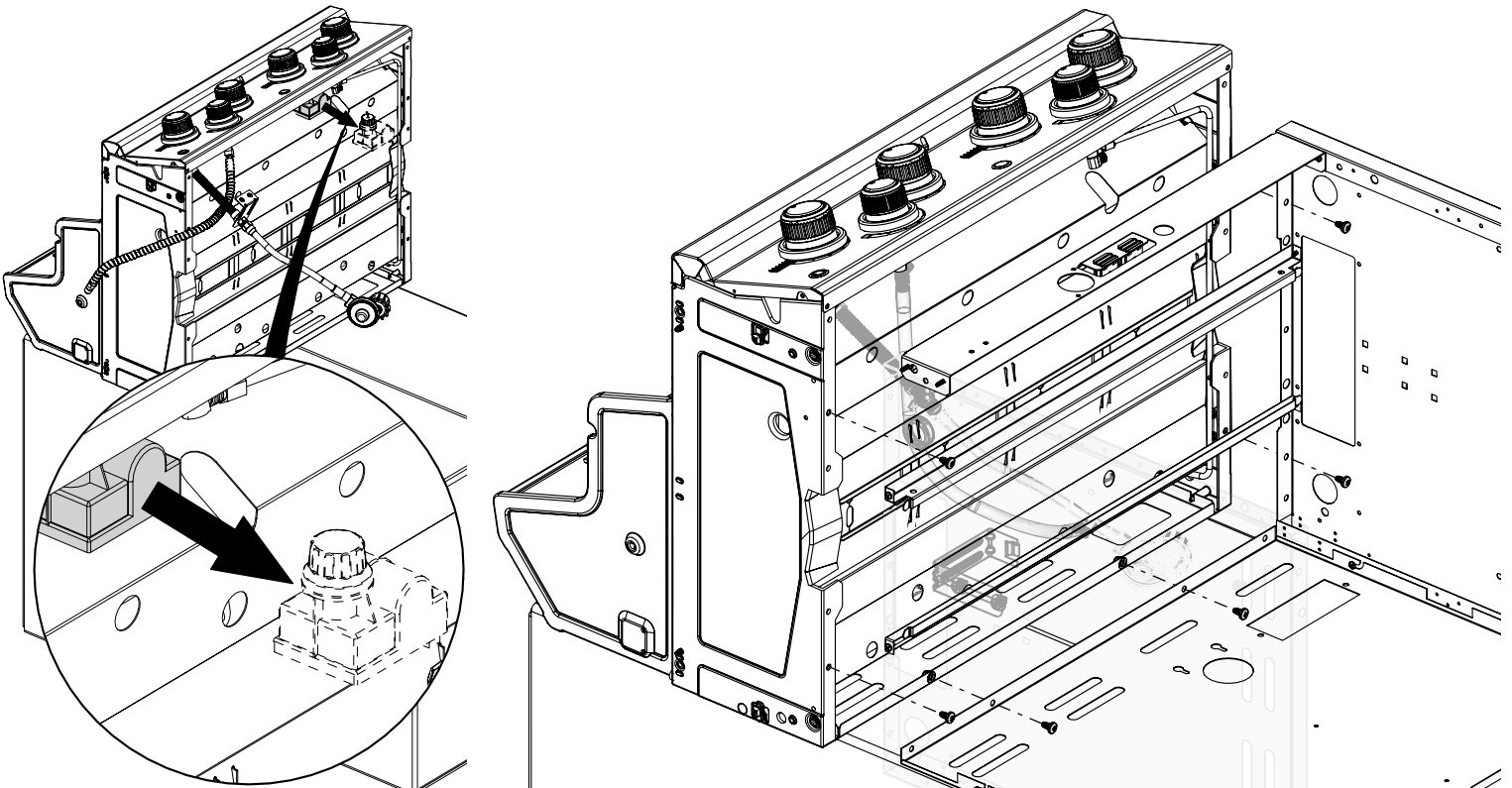
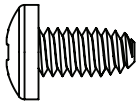


(2)

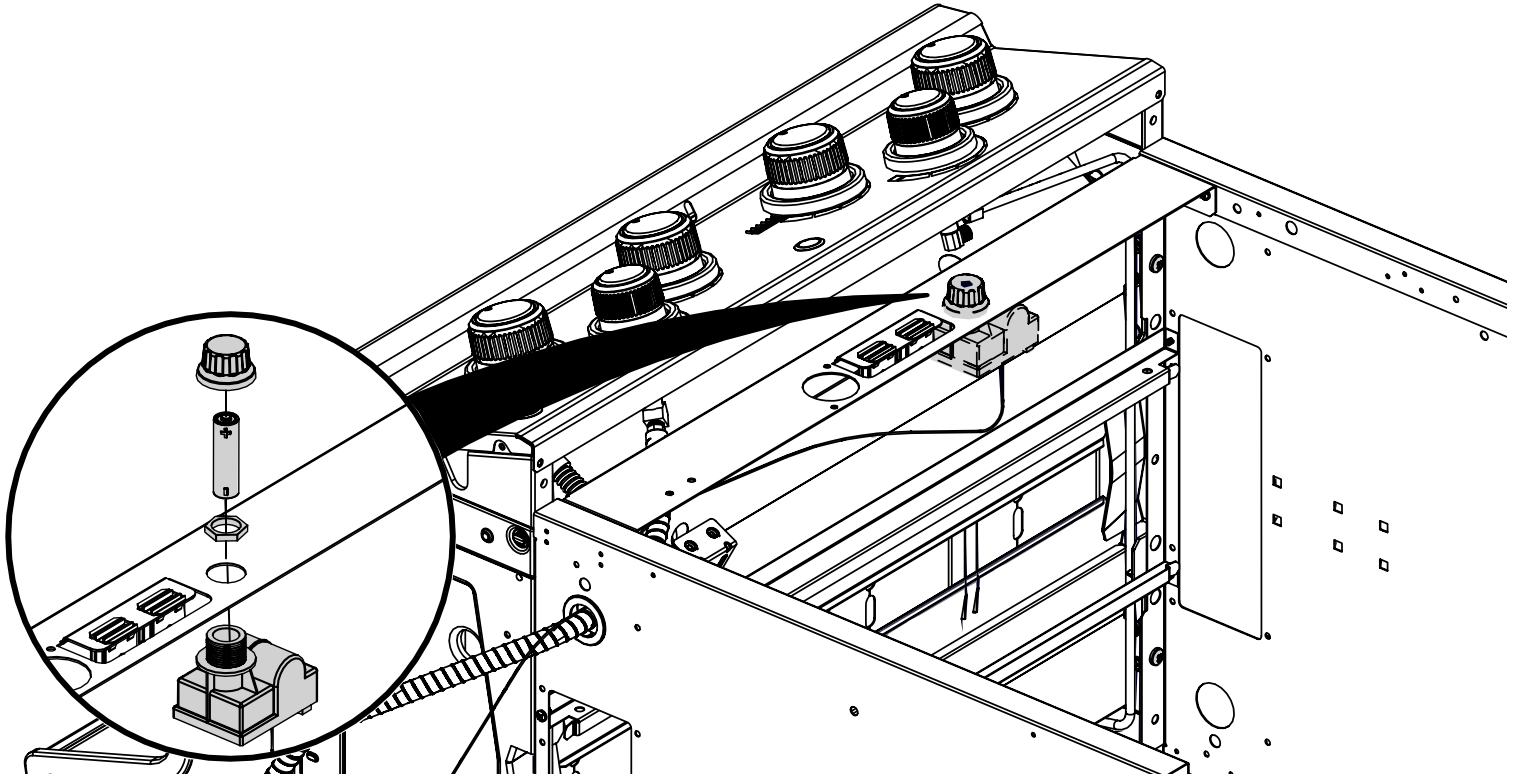


6

(6)

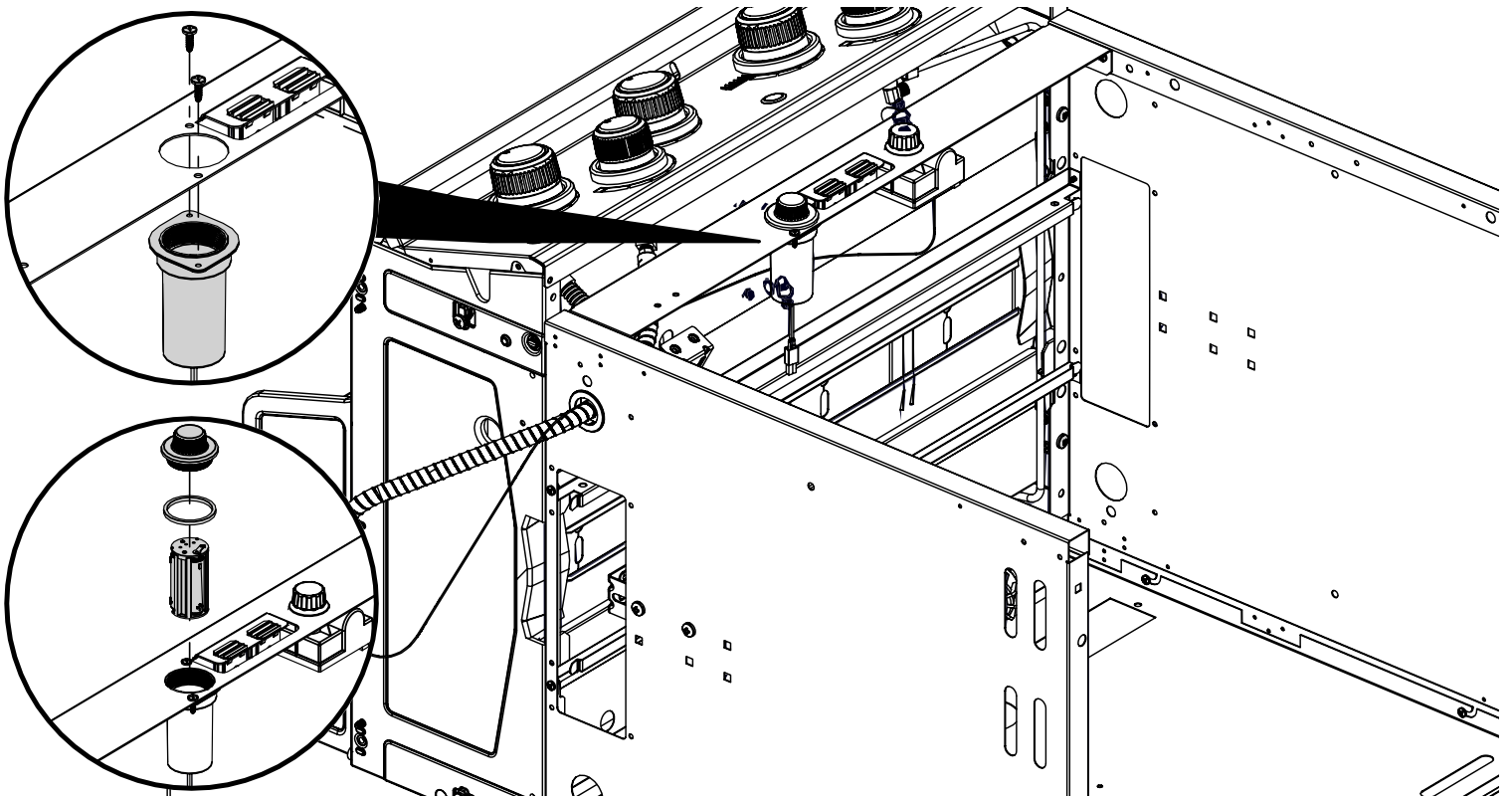


7

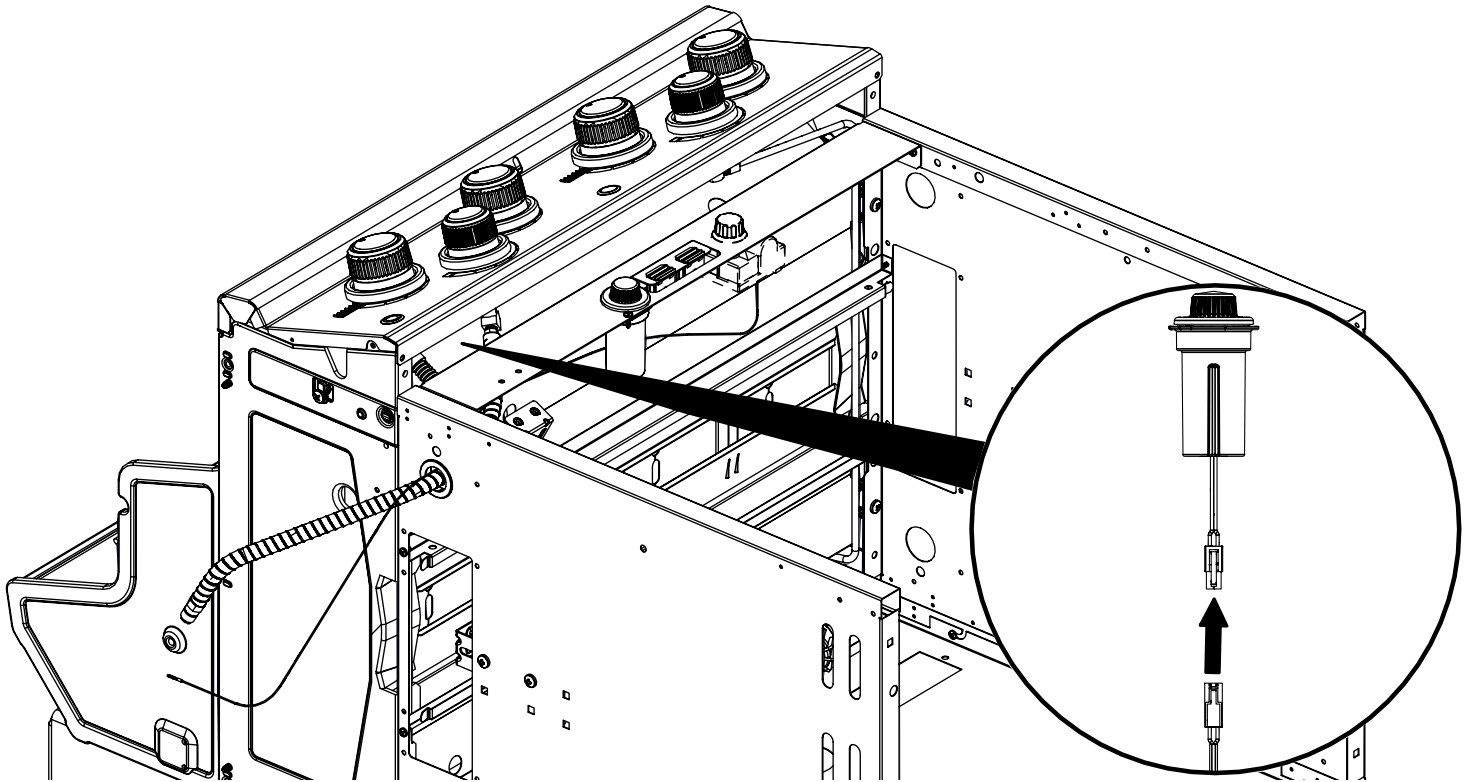


8

(2) 

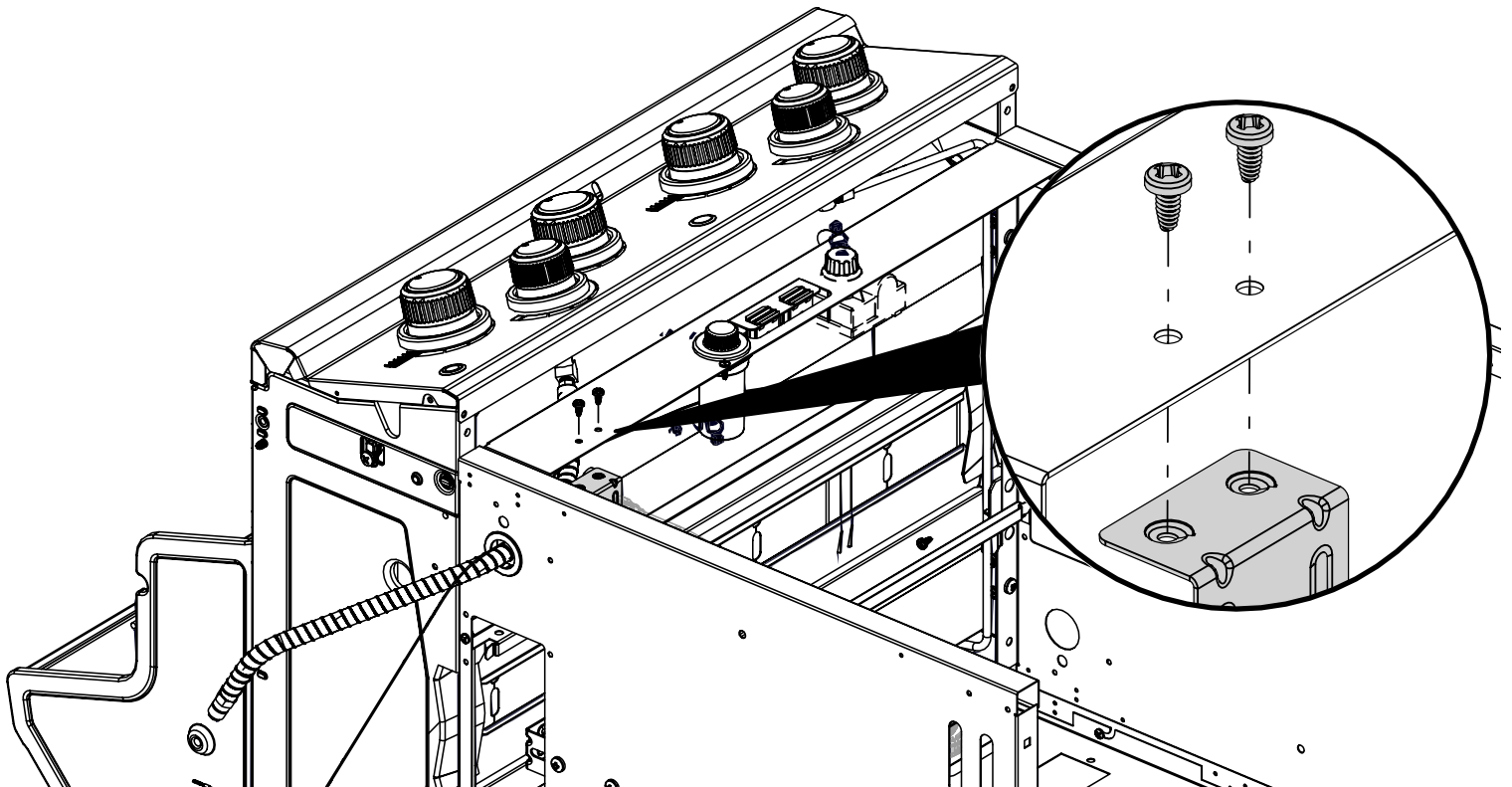


9

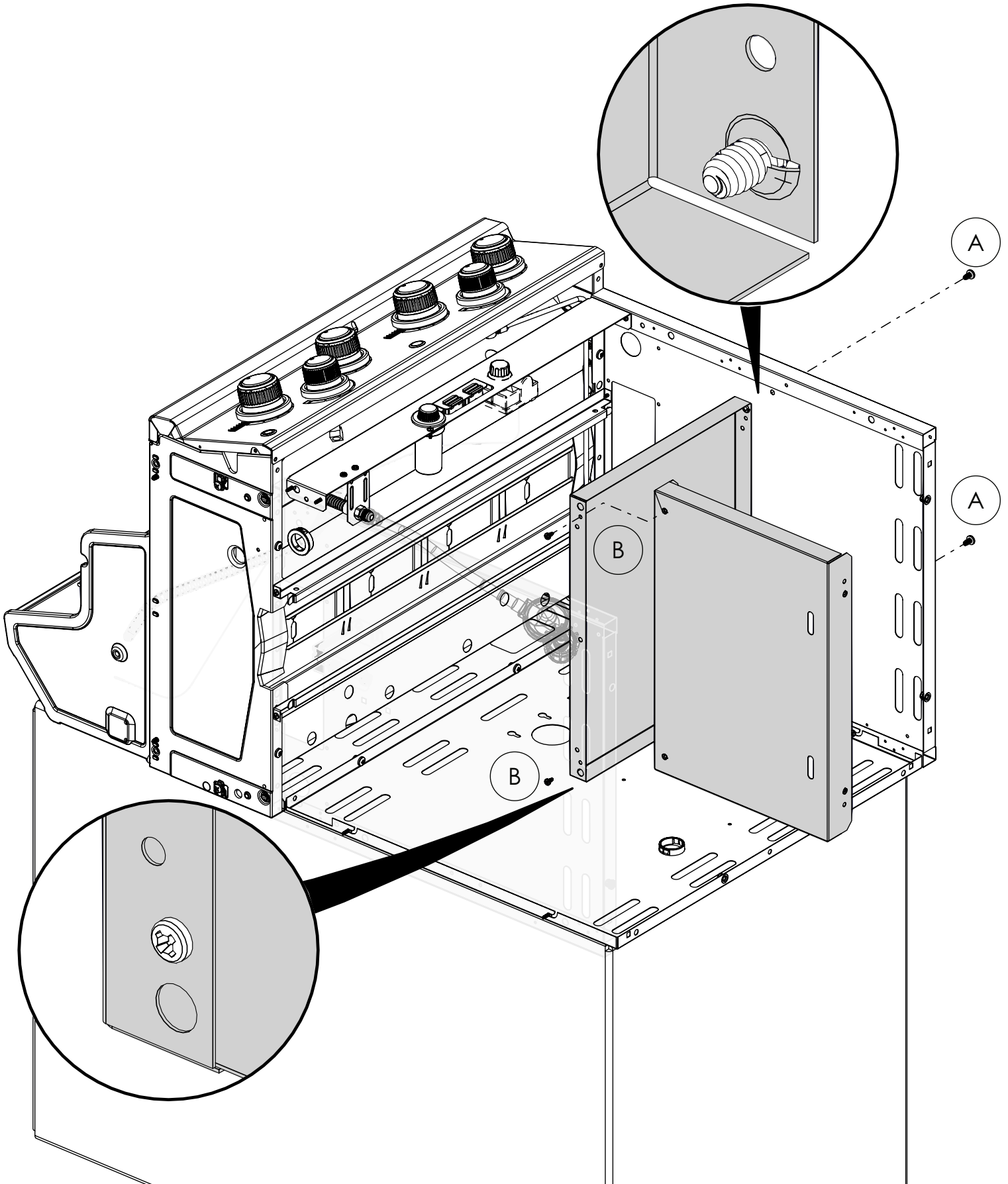
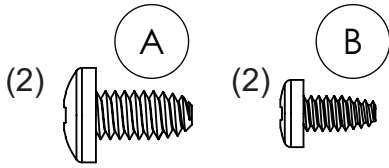


10

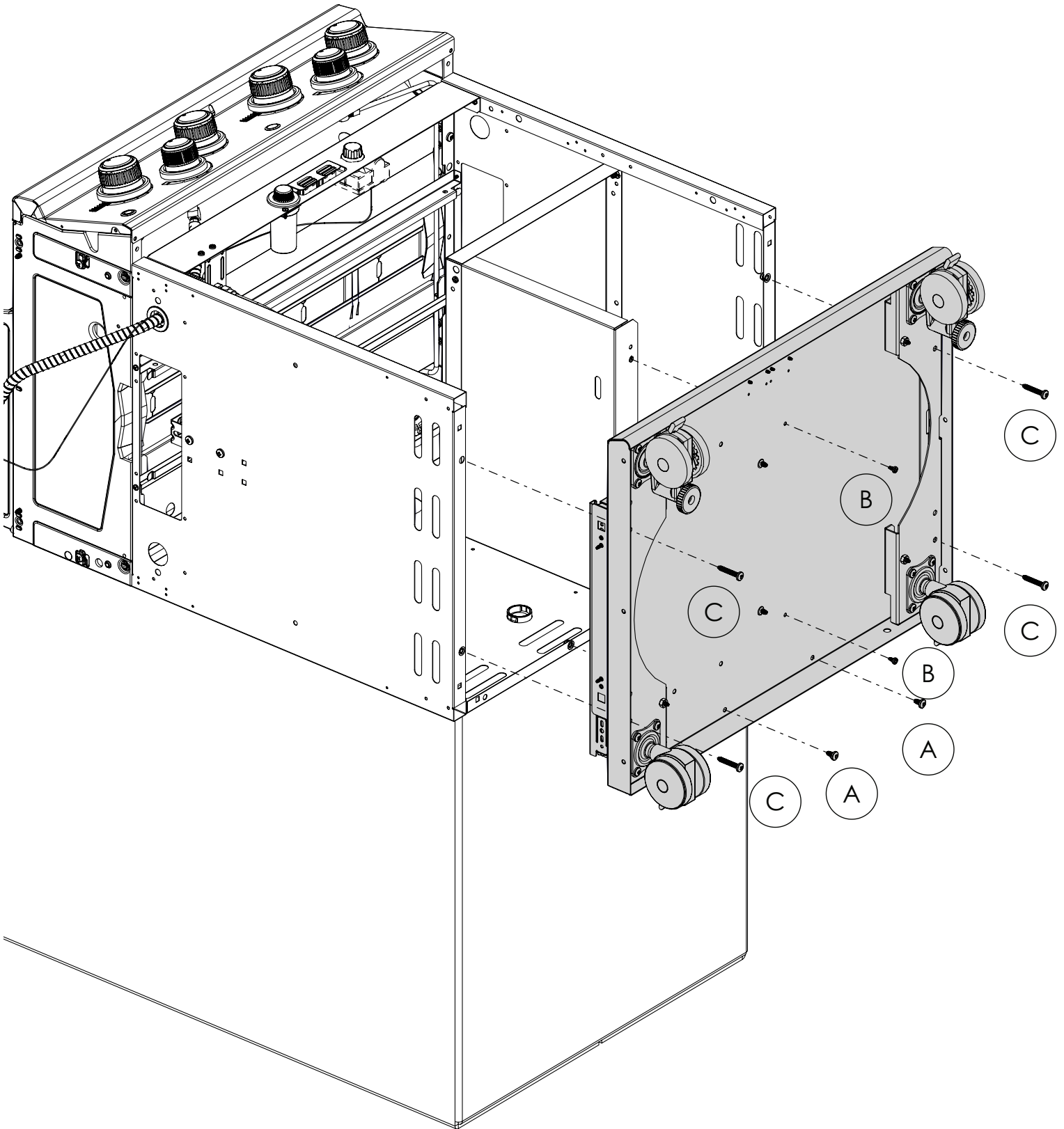
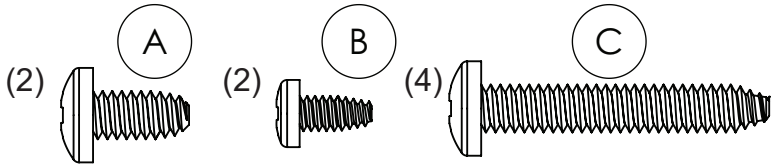
(2) 



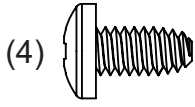
11



12

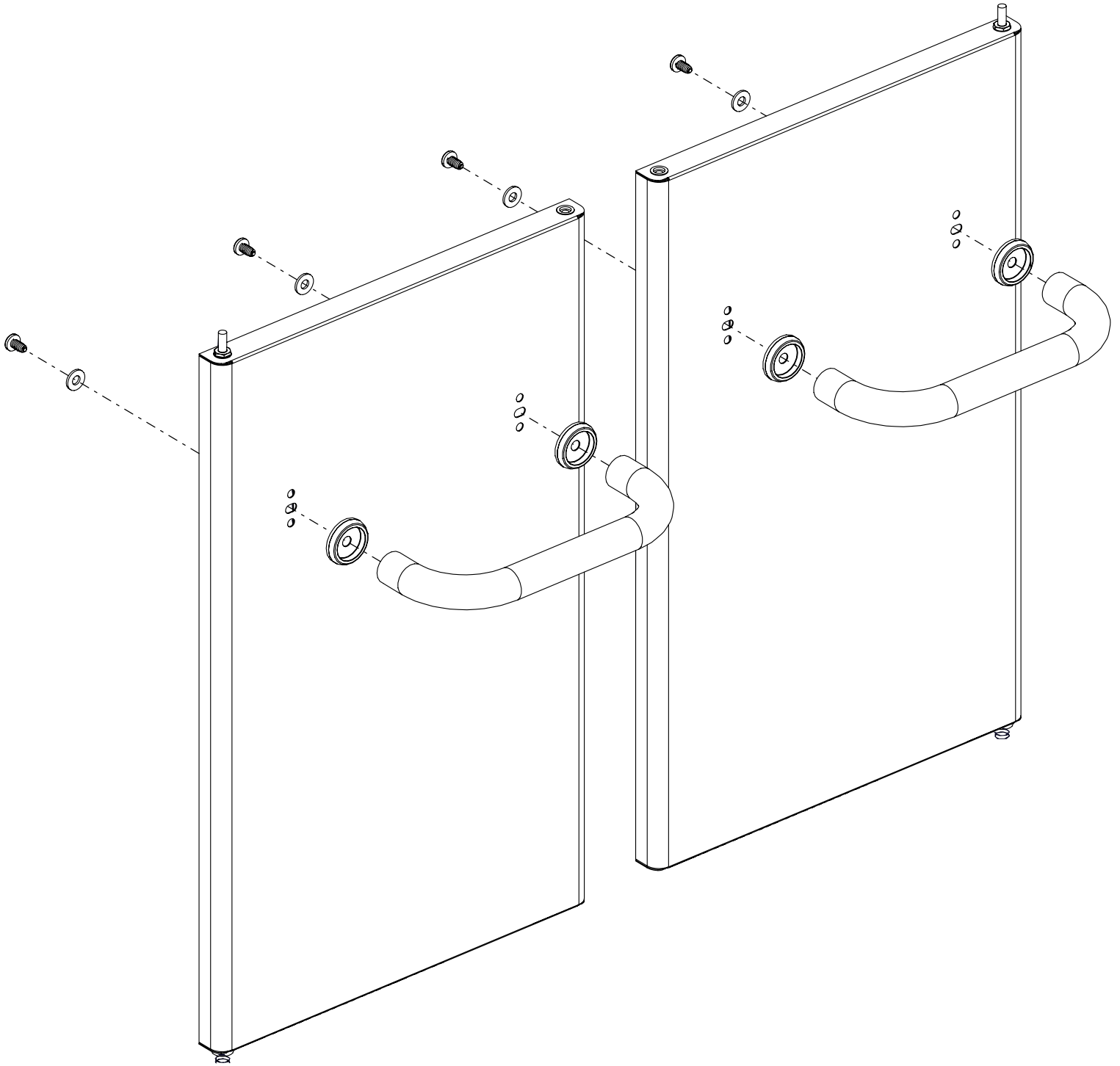
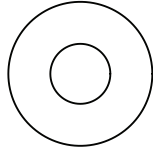


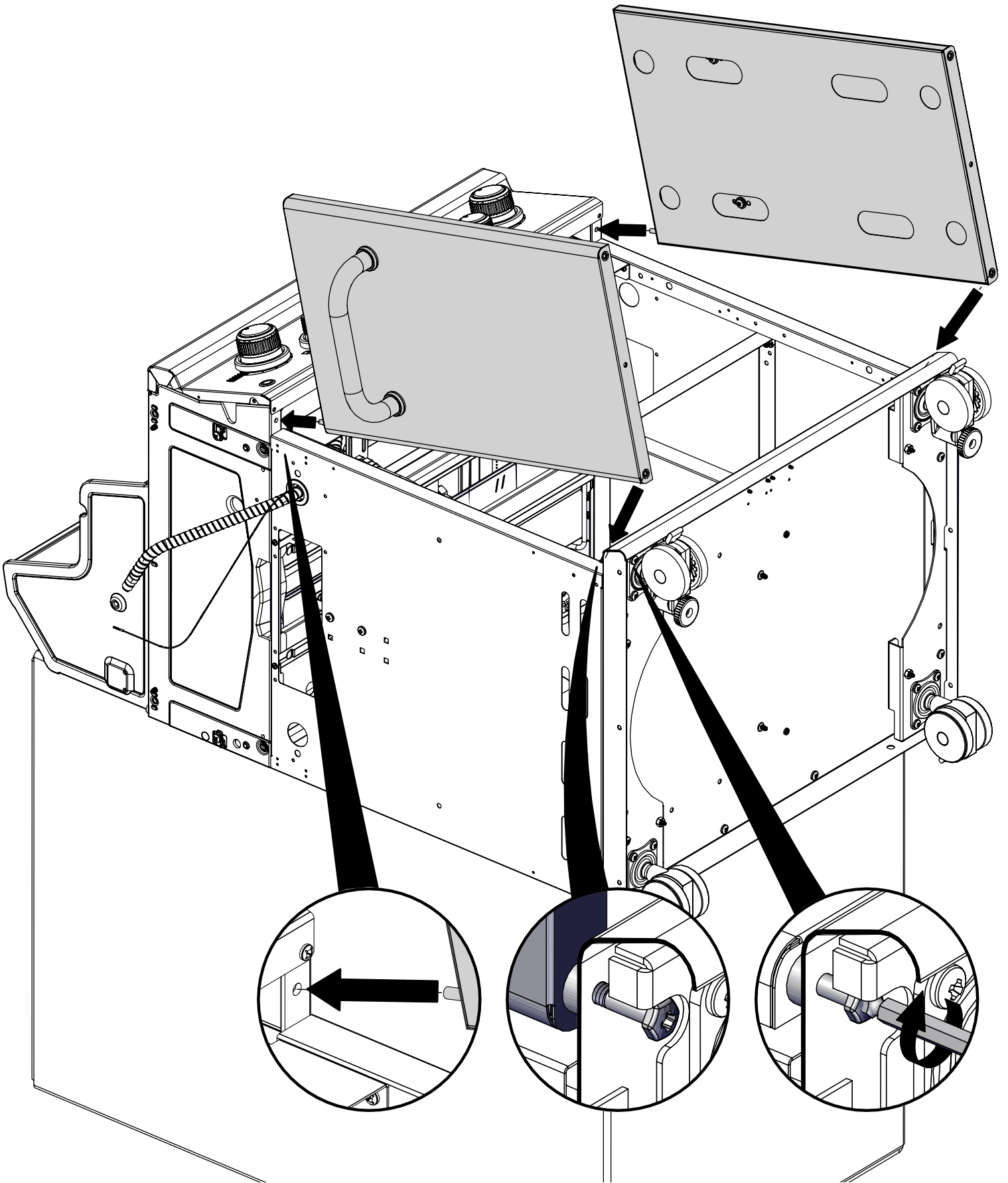
13



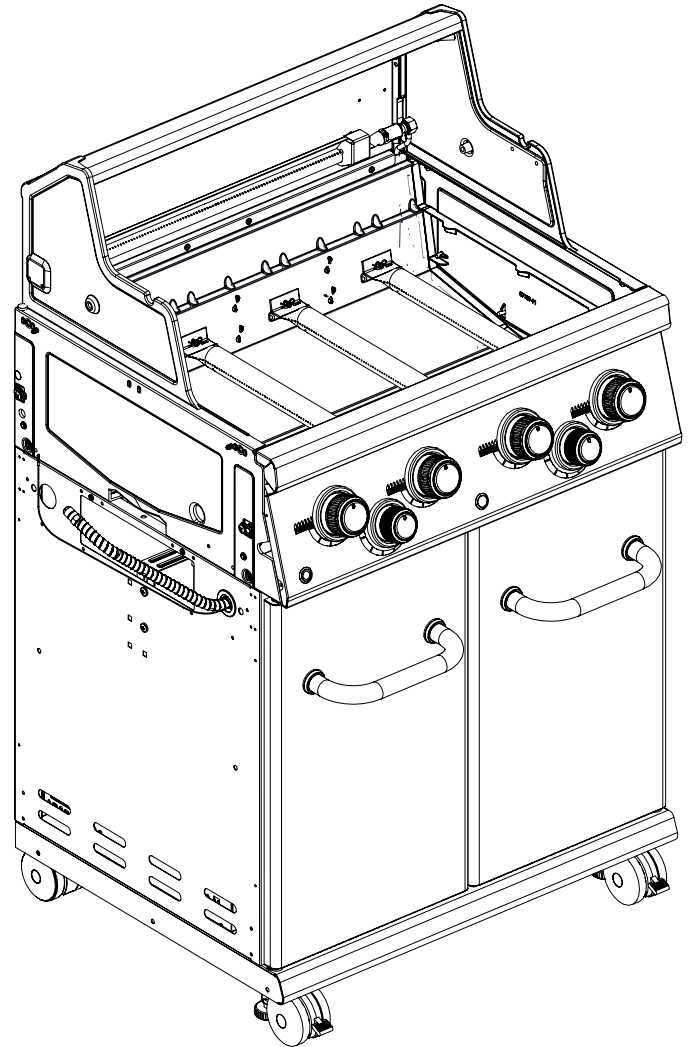
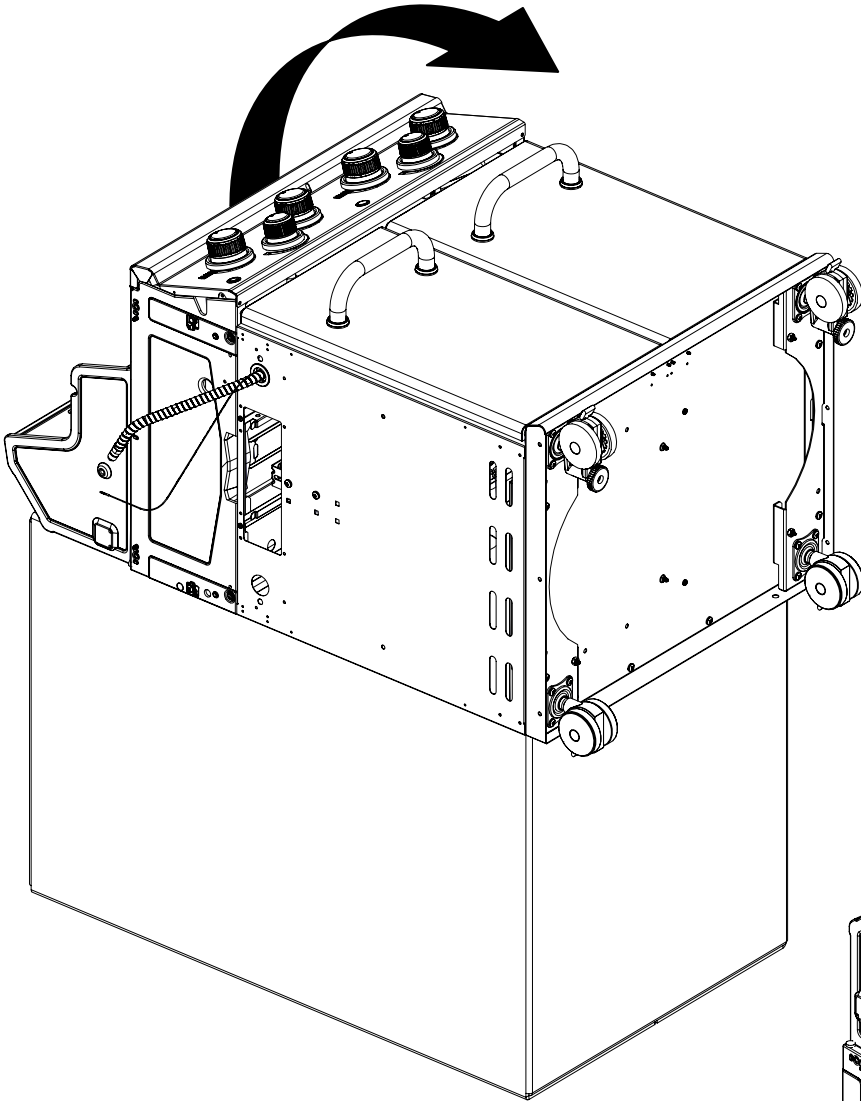
(4)

(4)

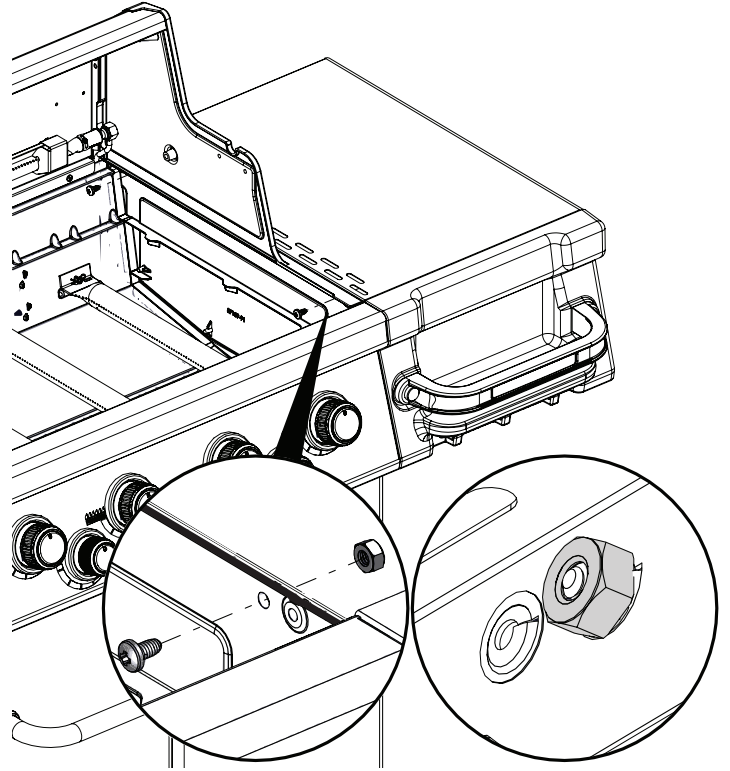
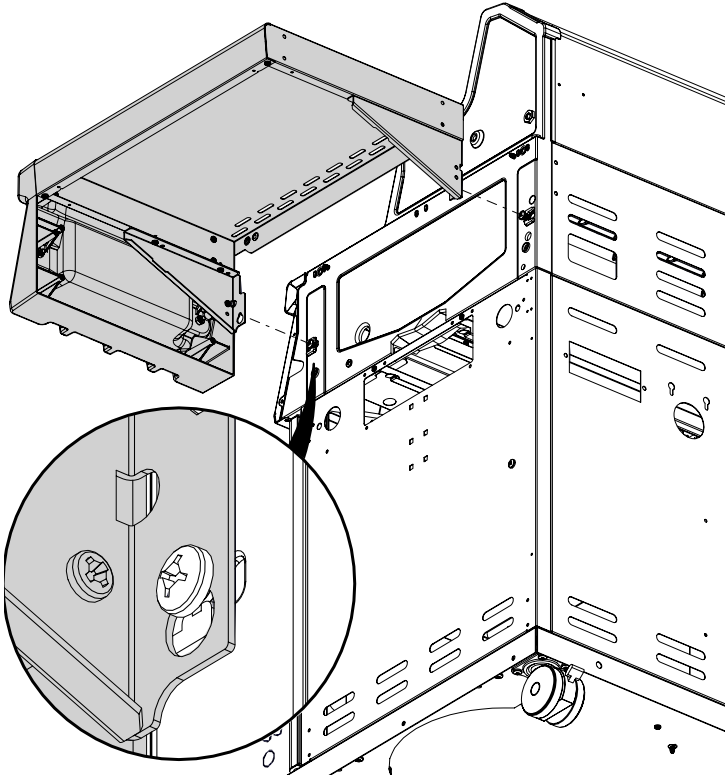
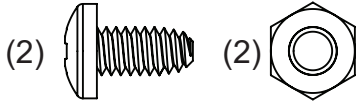




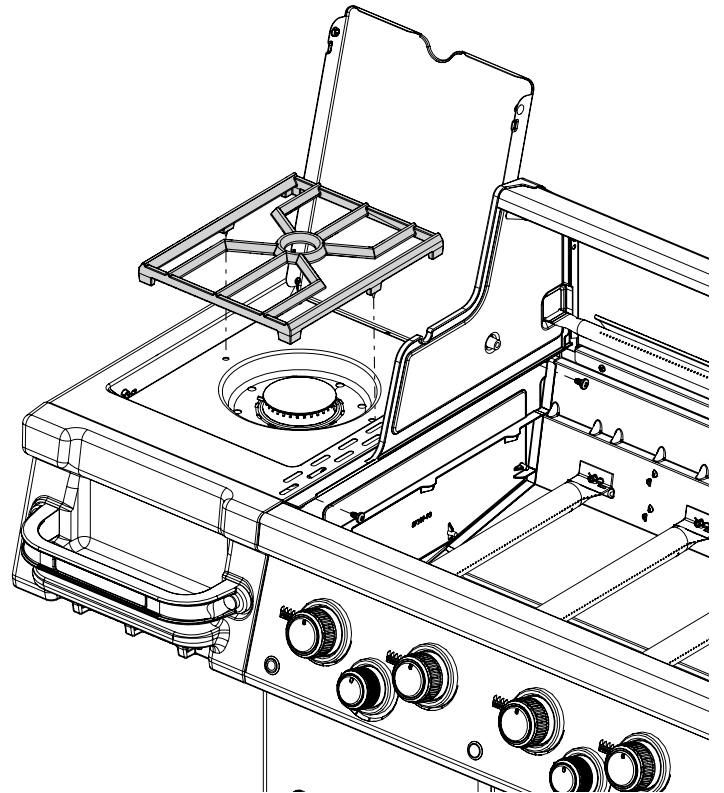
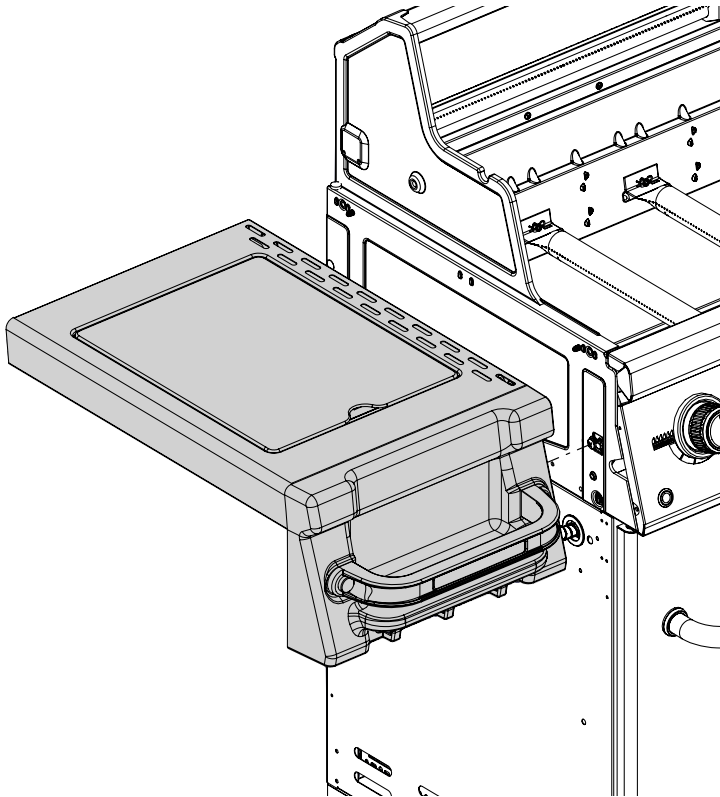
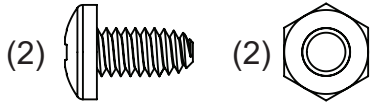
15



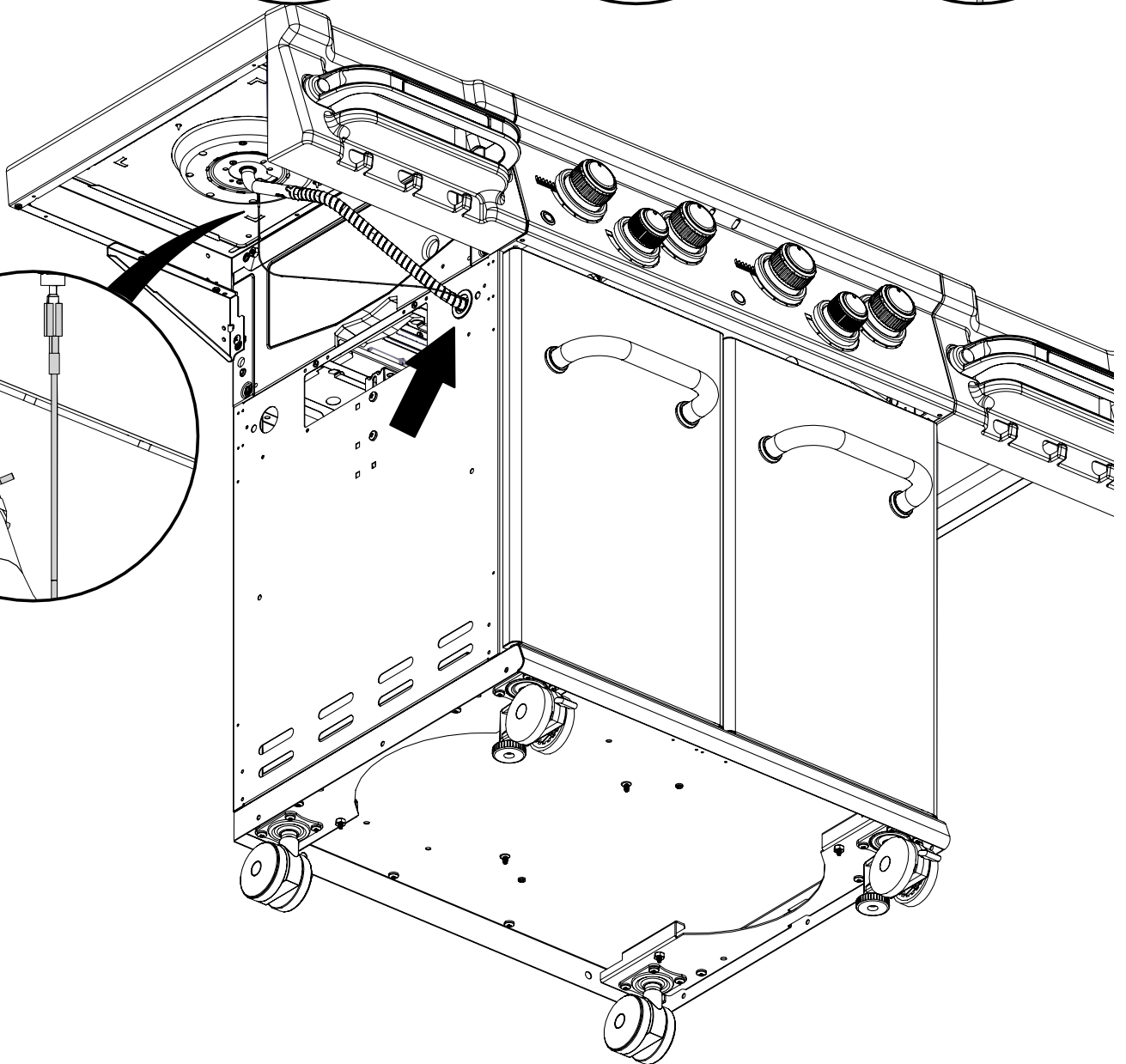
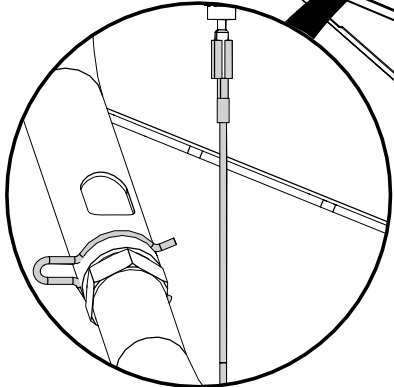
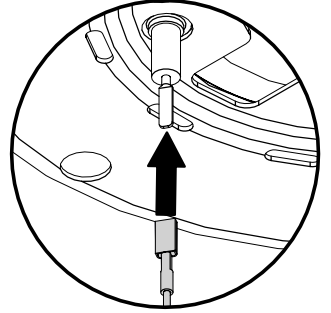
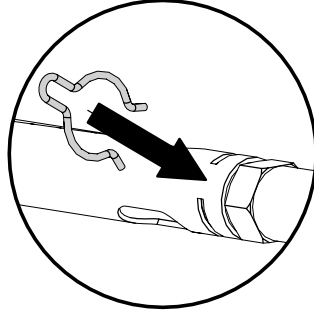
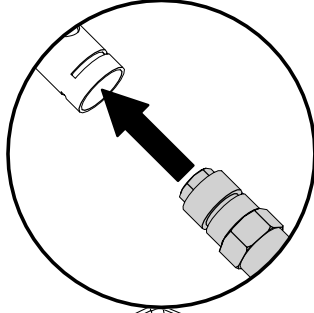
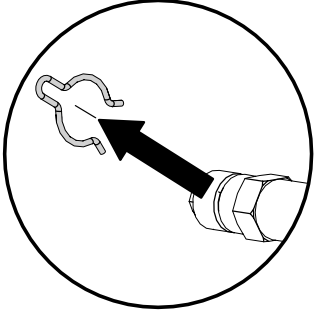
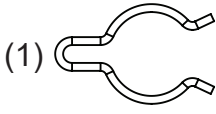
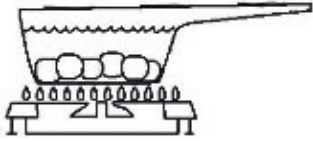
16

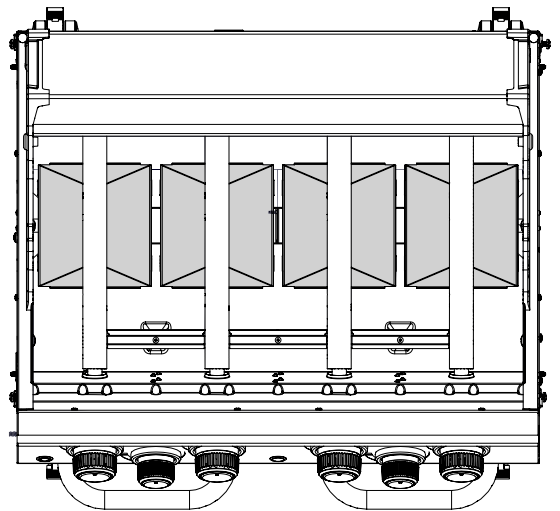
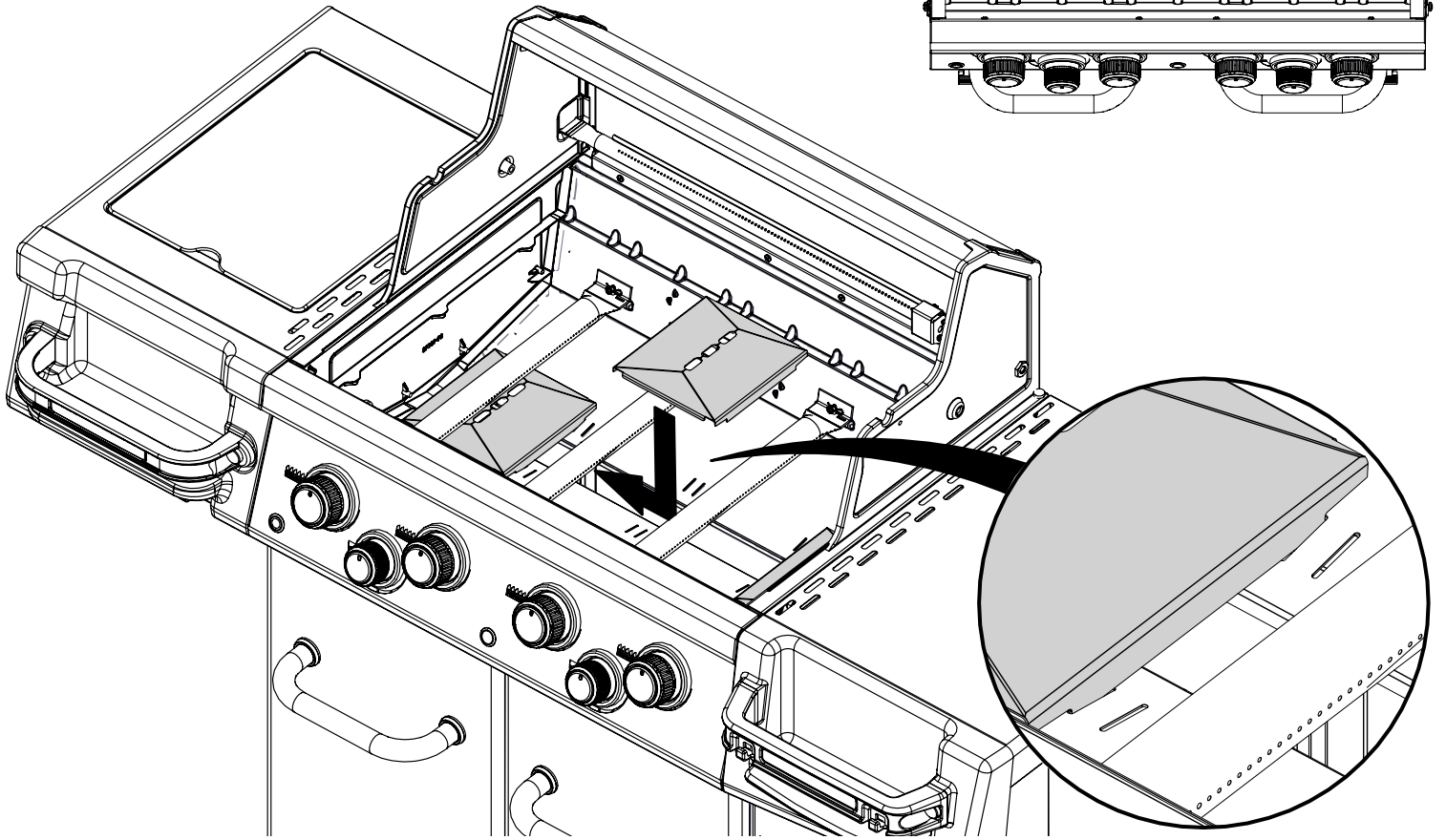
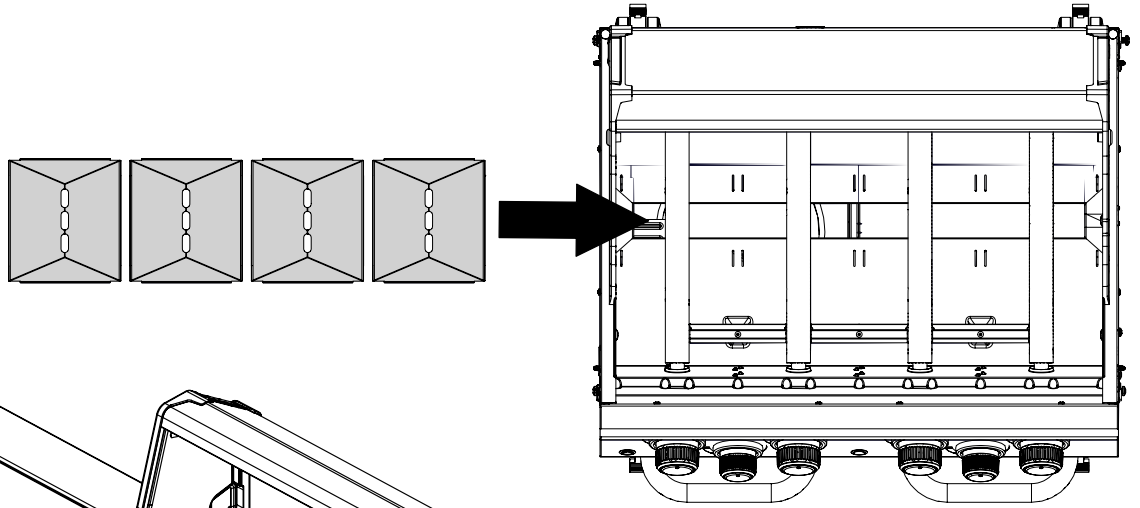


17

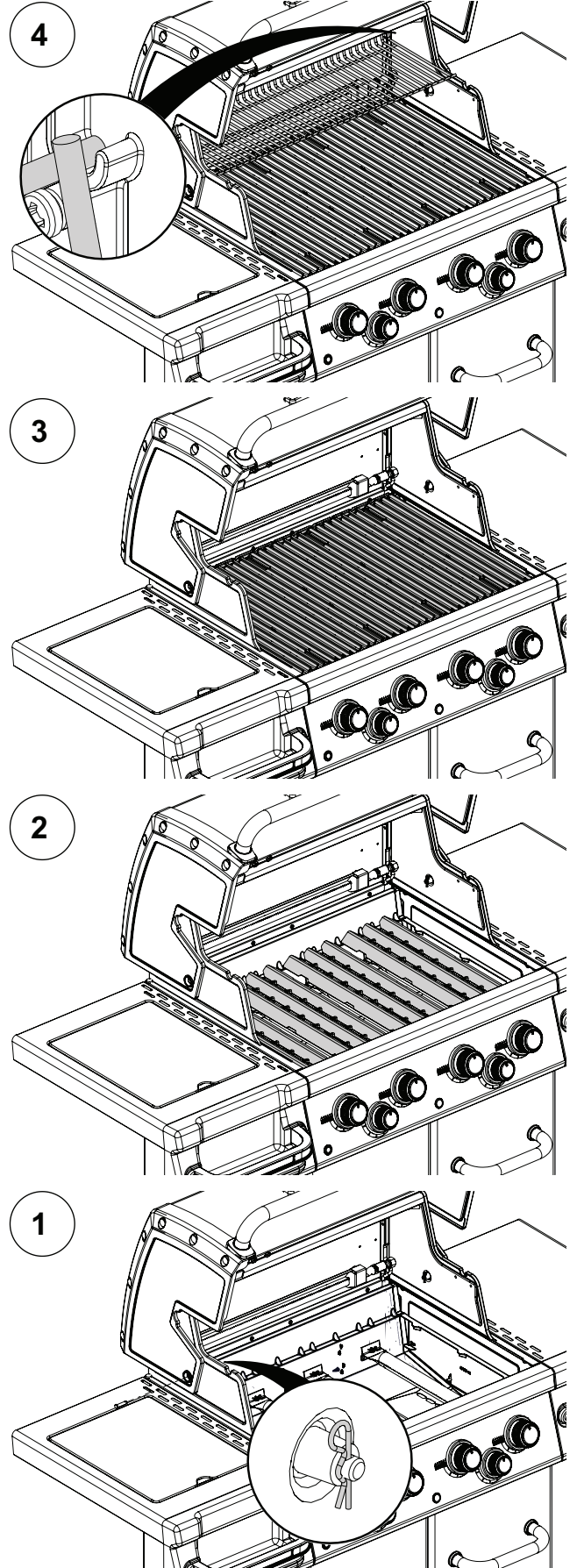
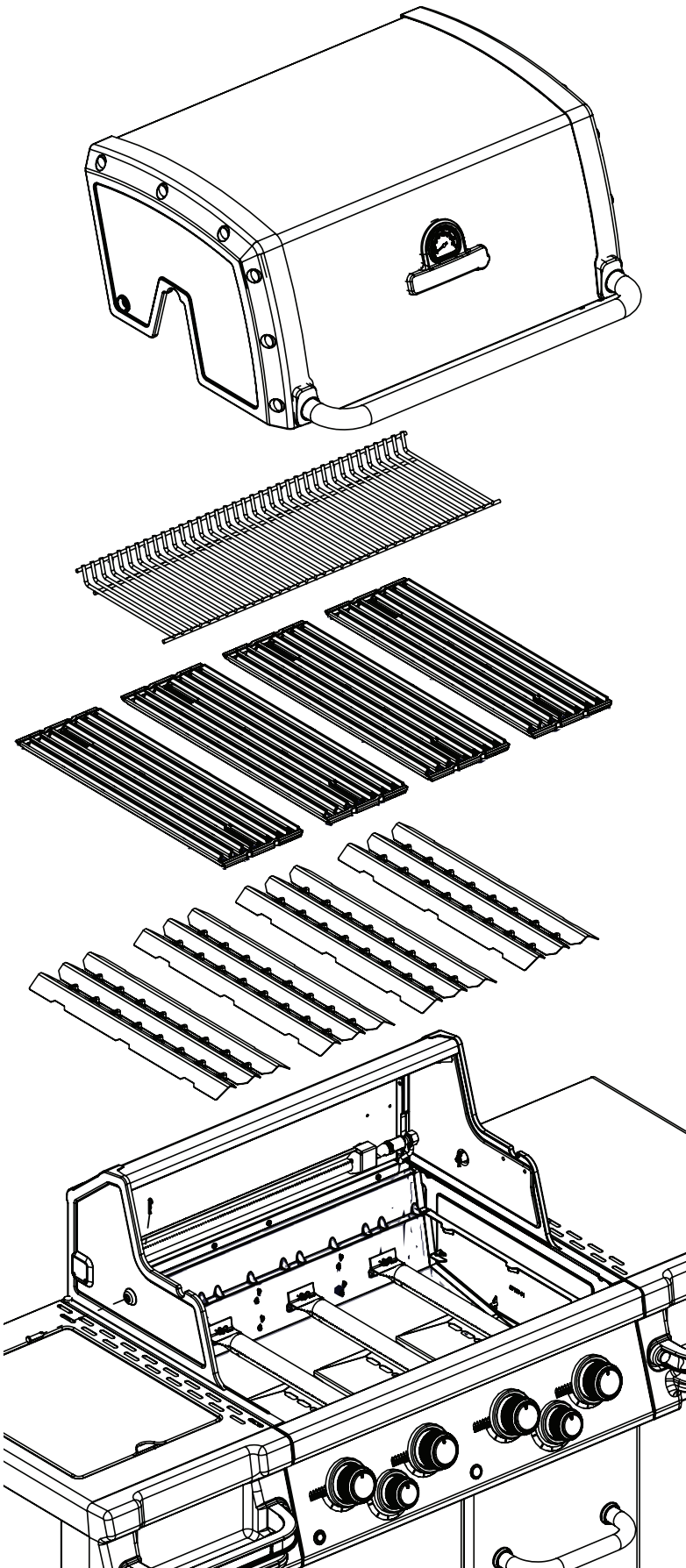
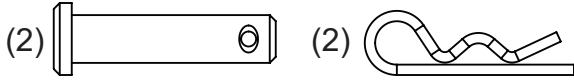


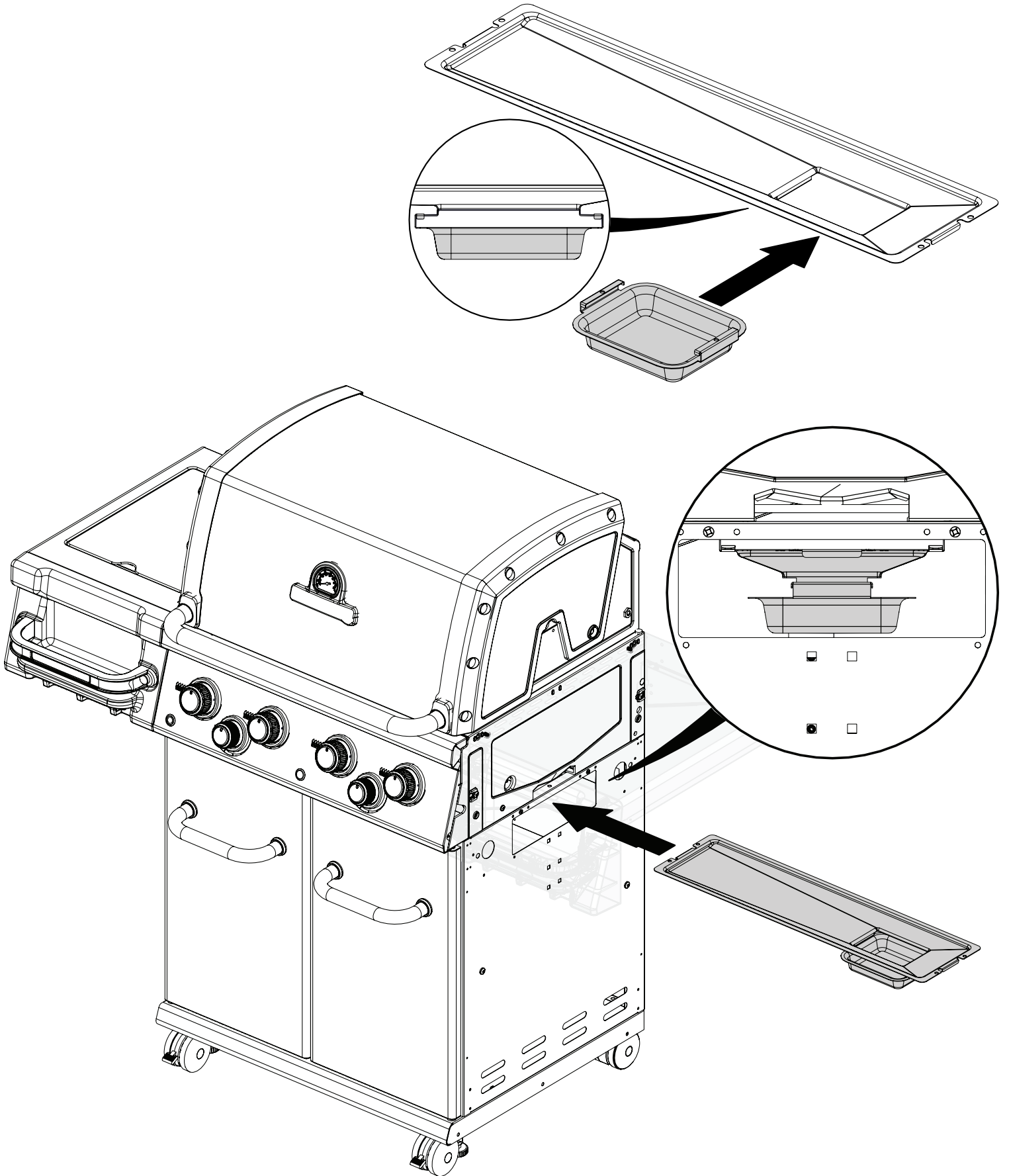
18



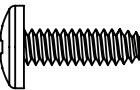


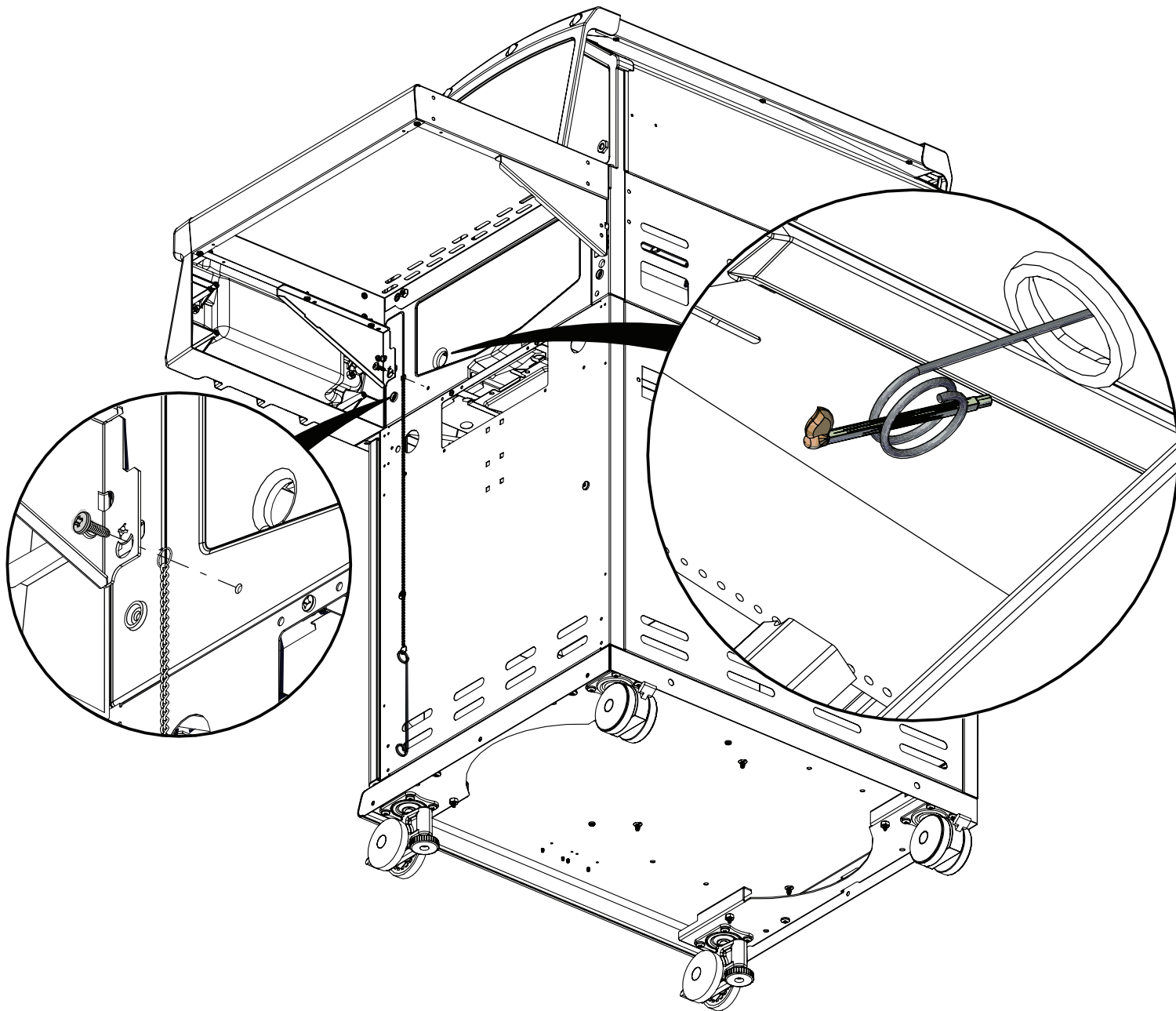
20



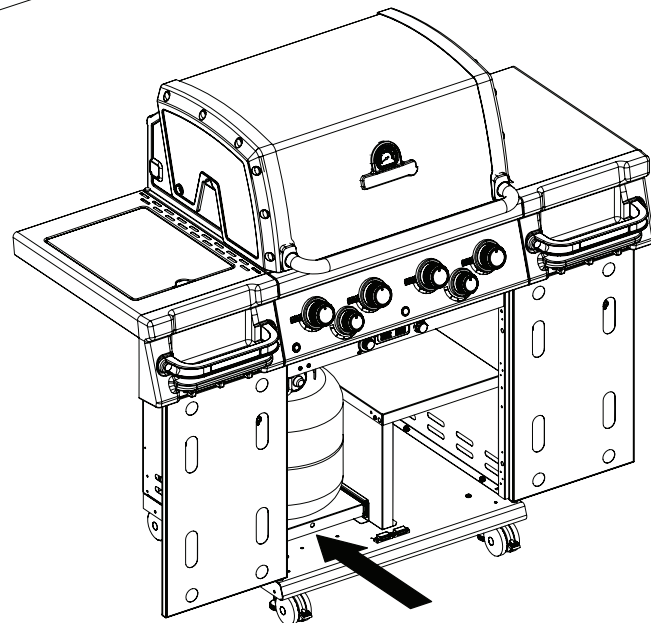
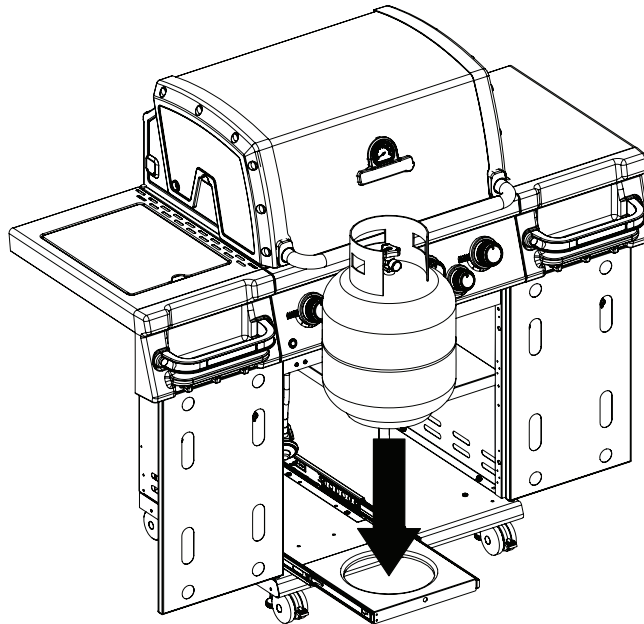
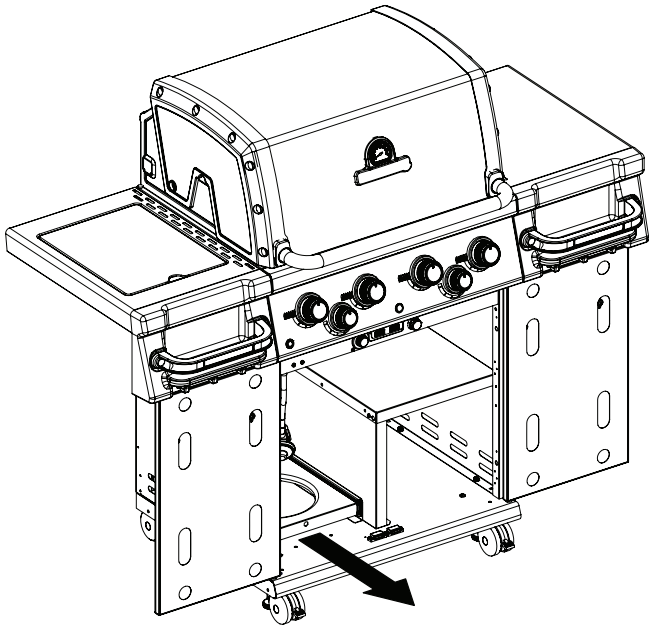
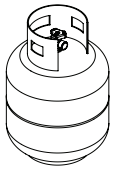


22

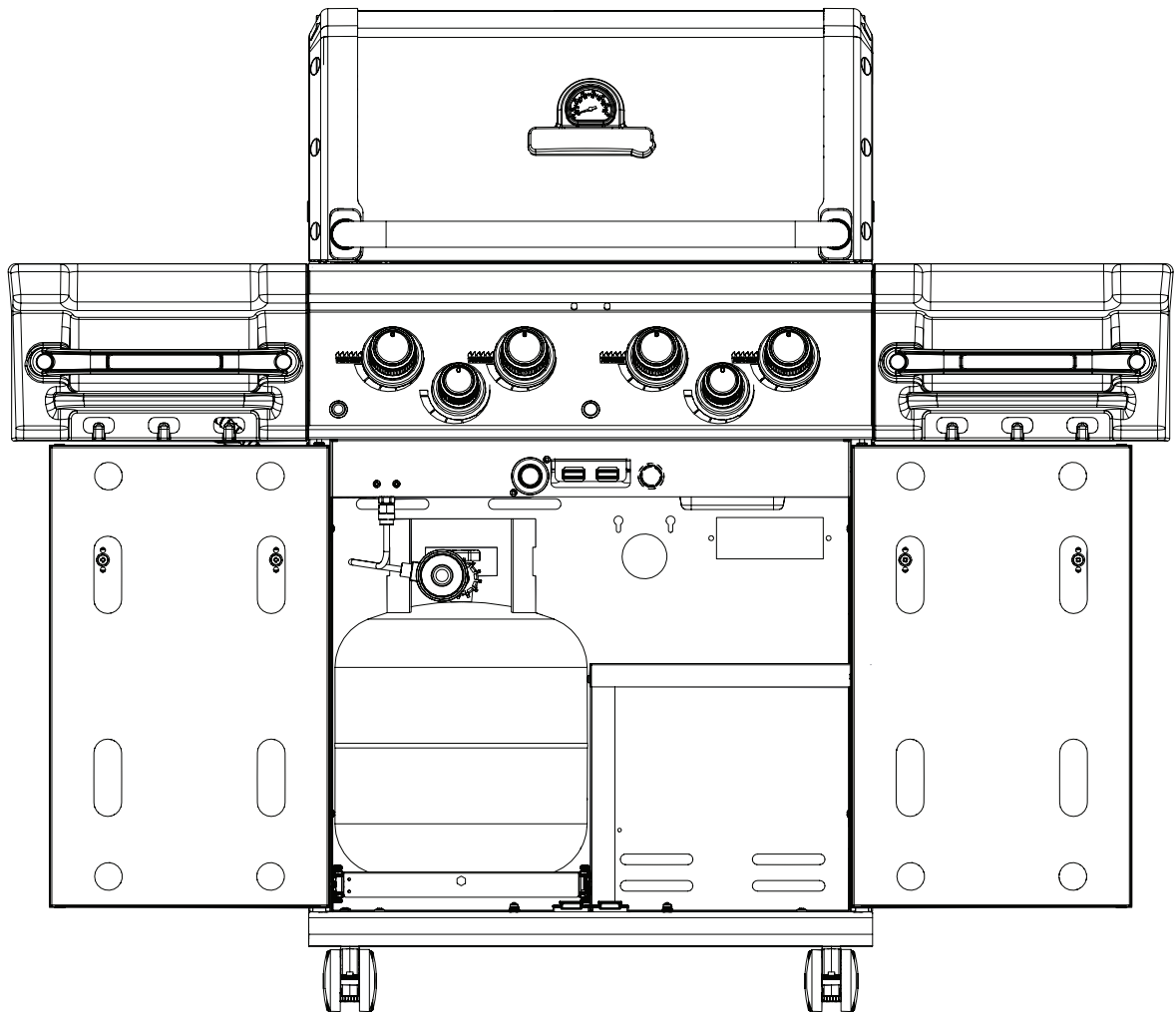
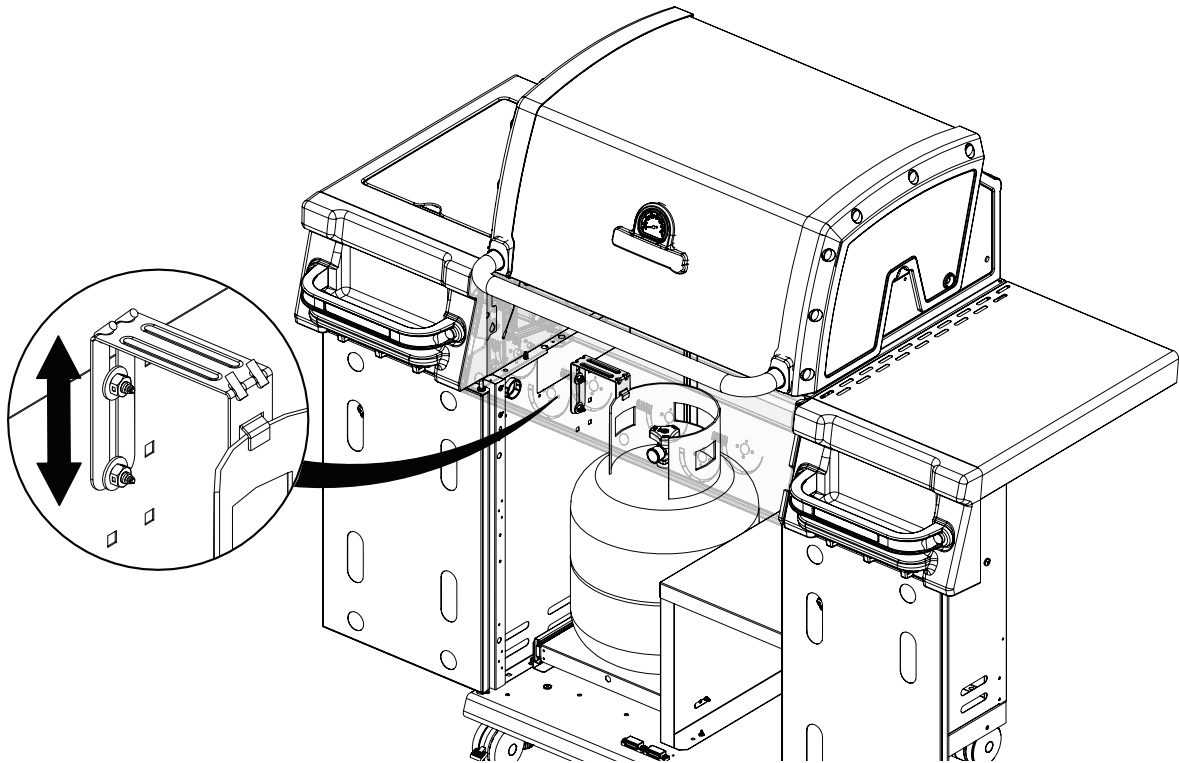
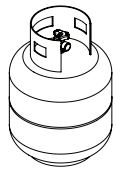
(1)  (1)



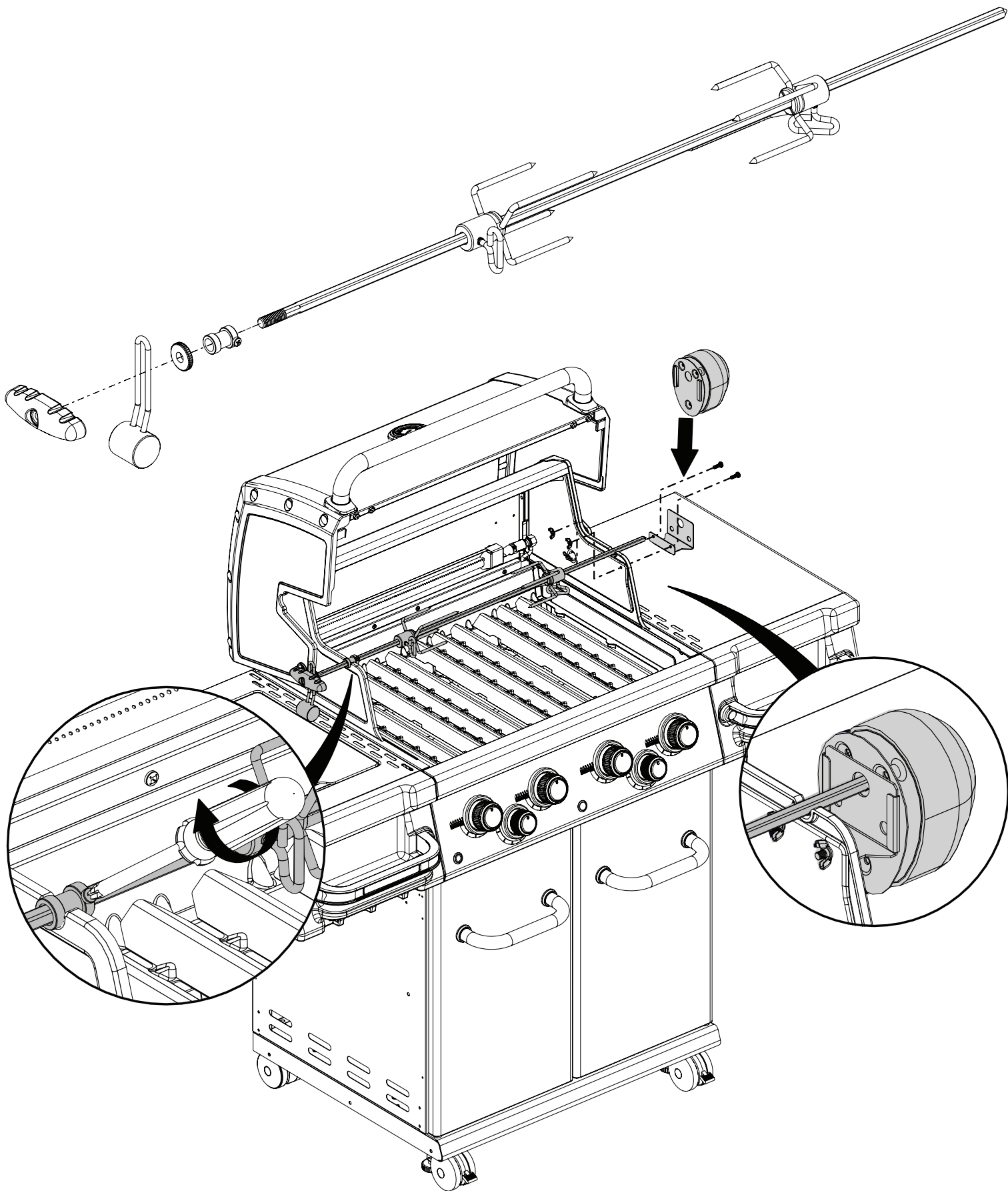
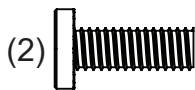
23



24



25



PARTS LIST / LISTE DES PIECES / LISTA DE PARTES

<u>KEY #</u>	<u>ITEM #</u>	<u>DESCRIPTION</u>	<u>9562-63NZ</u>	<u>9962-63NZ</u>	<u>9562-83NZ</u>	<u>9962-83NZ</u>	<u>9563-43NZ</u>
1	27005-004	FIRE BOX ASSEMBLY	1	1	1	1	1
2	86005-301	LID ASSEMBLY	1	1	1	1	•
	86005-303	LID ASSEMBLY	•	•	•	•	1
5	27249-904	GREASE SHIELD	4	4	4	4	4
7	Y-11544	SCREW - BURNER	4	4	4	4	4
8	S21242	HITCH PIN CLIP	4	4	4	4	4
18	22005-281	GRID	4	4	4	4	•
	22022-284	GRID	•	•	•	•	2
20	22005-991	GRID - WARMING RACK	1	1	1	1	1
22	22025-904	COLLECTOR BOX	1	1	1	1	1
25	22909-104E	BURNER	4	4	4	4	4
26	22001-769	CONTROL KNOB	4	4	4	4	4
26A	22001-669	CONTROL KNOB	1	1	2	2	2
27	22002-264	CONTROL BEZEL	4	4	4	4	4
27A	22001-164	CONTROL BEZEL	1	1	2	2	2
28	22005-833	CONTROL COVER	1	1	•	•	•
	22005-883	CONTROL COVER	•	•	1	1	1
32	10111-15A	HOSE	1	1	1	1	1
34	S13473-091	HOSE-SIDE BURNER	1	1	1	1	1
34A	Y-11230	COTTER PIN	1	1	1	1	1
35	29005-034	CONTROL ASSEMBLY	1	1	•	•	•
	29005-074	CONTROL ASSEMBLY	•	•	1	1	1
36	10342-T18	ELECTRODE – SIDE BURNER	1	1	1	1	1
37	20809-957	TUBE-REAR BURNER ASSY	•	•	1	1	1
38	Y-11990	HEX NUT	•	•	1	1	1
40	10111-NZ	HOSE & REGULATOR	1	1	1	1	1
43	10342-E12	ELECTRODE	2	2	2	2	2
44	10342-43	ELECTRONIC IGNITOR	1	1	•	•	•
	10342-44	ELECTRONIC IGNITOR	•	•	1	1	1
44A	25070-92	WIRE - IGNITOR	1	1	1	1	1
44B	25070-93	BUTTON - IGNITOR	1	1	1	1	1
47	21035-991	GREASE RAIL	2	2	2	2	2
48	22009-901	GREASE PAN	1	1	1	1	1
49	27055-901	GREASE TRAY	1	1	1	1	1
51	22209-904	FLAV-R-WAVE ®	4	4	4	4	4
56	24005-12A	HANDLE	1	1	1	1	1
58	54009-936	BEZEL	2	2	2	2	2
59	10081-BK630	NAMEPLATE	1	1	1	1	1
60	10571-6	HEAT INDICATOR	1	1	1	1	1
65	20005-000	MATCH LIGHT - STICK	1	1	1	1	1
68	23275-111A	DOOR - RIGHT - BLACK	1	1	1	1	•
	23275-113A	DOOR - RIGHT - SS	•	•	•	•	1
69	23275-131A	DOOR - LEFT BLACK	1	1	1	1	•
	23275-133A	DOOR - LEFT - SS	•	•	•	•	1

PARTS LIST / LISTE DES PIECES / LISTA DE PARTES

<u>KEY #</u>	<u>ITEM #</u>	<u>DESCRIPTION</u>	<u>9562-63NZ</u>	<u>9962-63NZ</u>	<u>9562-83NZ</u>	<u>9962-83NZ</u>	<u>9563-43NZ</u>
70	21071-13	HANDLE	2	2	2	2	2
71	21070-13	BEZEL	4	4	4	4	4
78	21335-111	BRACKET - DOOR CATCH	1	1	1	1	1
80	21109-901R	SIDE PANEL	2	2	2	2	2
82	25208-201	CABINET SHELF	1	1	1	1	1
83	21036-901	CABINET SHELF SUPPORT	1	1	1	1	1
84	21099-10A	BASE - TANK	1	1	1	1	1
88	21305-921R	PANEL - REAR	1	1	1	1	1
90	21795-951R	BASE	1	1	1	1	1
100	21039-911	BRACKET - CASTOR SUPPORT	2	2	2	2	2
102	10892-23	CASTOR	2	2	2	2	2
102A	10892-285	CASTOR	2	2	2	2	2
103	21009-951	TANK BRACKET	1	1	1	1	1
114	23101-113	SHELF	1	1	1	1	1
115	23101-153	SHELF	1	1	1	1	1
123	Y-12117	BUSHING	2	2	2	2	2
124	23000-271	SIDE BURNER BODY	1	1	1	1	1
125	23000-253	SIDE BURNER COVER	1	1	1	1	1
126	10390-R81A	SIDE BURNER	1	1	1	1	1
128	23009-99	GRID	1	1	1	1	1
130	27905-354	BURNER ROTISSERIE	•	•	1	1	1
131	10693-109	REAR BURNER-ORIFICE	•	•	1	1	1
133	S15271	HANDLE	•	•	1	1	1
134	S15270	BALANCER	•	•	1	1	1
135	S15299	WASHER	•	•	1	1	1
136	S15263	BUSHING	•	•	1	1	1
137	S15256	SPIT ROD	•	•	1	1	1
138	S15287	4 PRONG FORKS	•	•	2	2	2
139	57039-901	ROTISSERIE BRACKET	•	•	1	1	1
140	S21125	SCREW #8 X 1/2	4	4	4	4	4
141	Y-12860	BOLT 1/4-20 X 1	2	2	2	2	2
144	Y-12220	BUSHING	1	1	1	1	1
145	S21235	HINGE PIN	2	2	2	2	2
146	S21233	HITCH PIN CLIP	2	2	2	2	2
147	Y-11231	LID BUMPER	2	2	2	2	2
148	10240-20	DOOR PIN	2	2	2	2	2
149	Y-11551	DOOR PIN - 1/4-20 X 1	2	2	2	2	2
150	Y-12124	DOOR PIN CAP	2	2	2	2	2
151	Y-12857	WASHER	4	4	4	4	4
152	Y-12222	MAGNET	2	2	2	2	2
153	Y-12223	SNAP IN MAGNET	2	2	2	2	2
154	Y-11560	SCREW 1/4-20 X 1-1/2	8	8	8	8	8
155	S21124	SCREW #8 X 1/2	12	12	12	12	12
156	Y-11793	NUT 1/4-20	8	8	8	8	8

PARTS LIST / LISTE DES PIECES / LISTA DE PARTES

<u>KEY #</u>	<u>ITEM #</u>	<u>DESCRIPTION</u>	<u>9562-63NZ</u>	<u>9962-63NZ</u>	<u>9562-83NZ</u>	<u>9962-83NZ</u>	<u>9563-43NZ</u>
157	Y-12835	SCREW #6-32 X 1/4	2	2	4	4	4
158	Y-12646	SCREW SHOULDER #8 X 1/2	2	2	2	2	2
159	S21136	SCREW #8-32 X 3/8	10	10	12	12	12
160	Y-29304	BOLT #10-24 X 3/8	6	6	6	6	6
161	Y-12310	SCREW 1/4-20 X 3/4	4	4	4	4	4
163	S35094	SCREW #10-24 X 5/8	1	1	1	1	1
169	S21061	WING NUT	•	•	2	2	2
171	S15247	MOTOR	•	•	1	1	1
172	S15508	ELECTRODE	•	•	1	1	1
173	S21362	SPRING	•	•	1	1	1
174	S21255	WASHER	2	2	2	2	2
175	Y-11546	BOLT - 1/4:20 X 5/8	2	2	2	2	2
176	Y-11795	NUT 1/4-20	2	2	2	2	2
180	S35095	SCREW #10-24 X 5/8	2	2	2	2	2
181	25030-73	WIRE - BATTERY PACK	1	1	1	1	1
181A	25070-95	LIGHT SWITCH	1	1	1	1	1
184	25080-80	BATTERY PACK	1	1	1	1	1
186	Y-12865	SCREW 1/4-20 X 3/4	14	14	14	14	14
190	25020-83	WIRE - LED LIGHT	1	1	•	•	•
	25020-84	WIRE - LED LIGHT	•	•	1	1	1
191	25020-82	WIRE - LED LIGHT	1	1	1	1	1
193	SP11-25	LID BUMPER	2	2	2	2	2

