

Broil King®



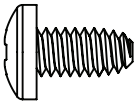
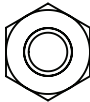
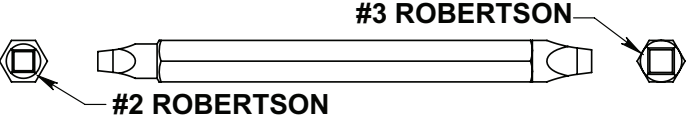
Broil King Imperial™

590
9987-83NZ

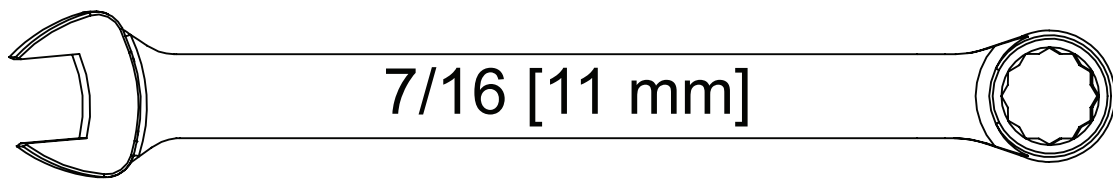
Onward
MANUFACTURING COMPANY LIMITED
SINCE 1906
585 KUMPF DRIVE
WATERLOO, ONTARIO, CANADA
N2V 1K3

20084-E86NZ REV G 12/21

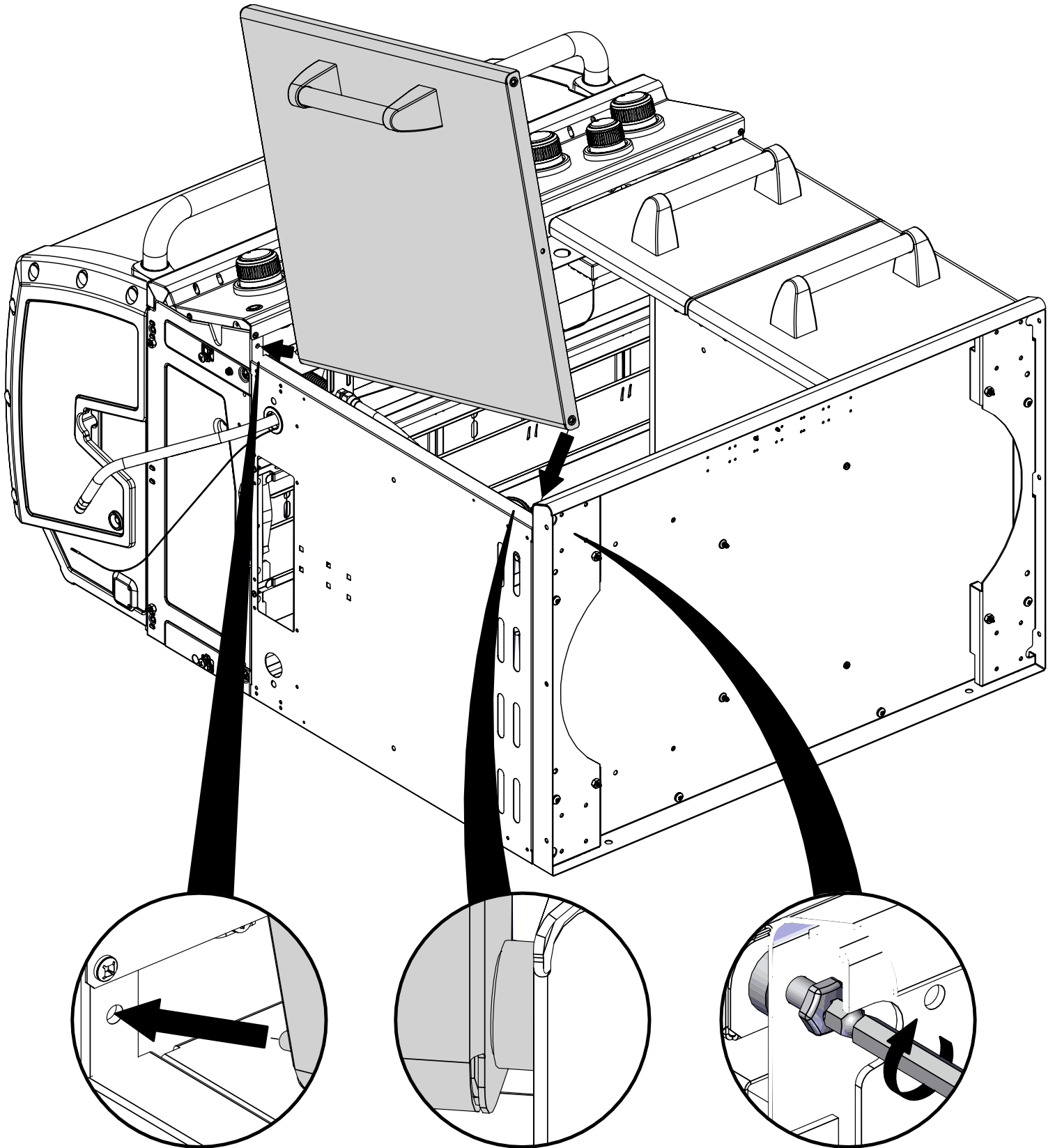
HARDWARE INCLUDED / MATERIAL INCLUS / EQUIPOS INCLUIDO

Y-12865  (20)	Y-11793  (4)
 <p>#3 ROBERTSON</p> <p>#2 ROBERTSON</p>	

TOOLS REQUIRED / OUTILS NECESSAIRES / HERRAMIENTAS NECESARIAS

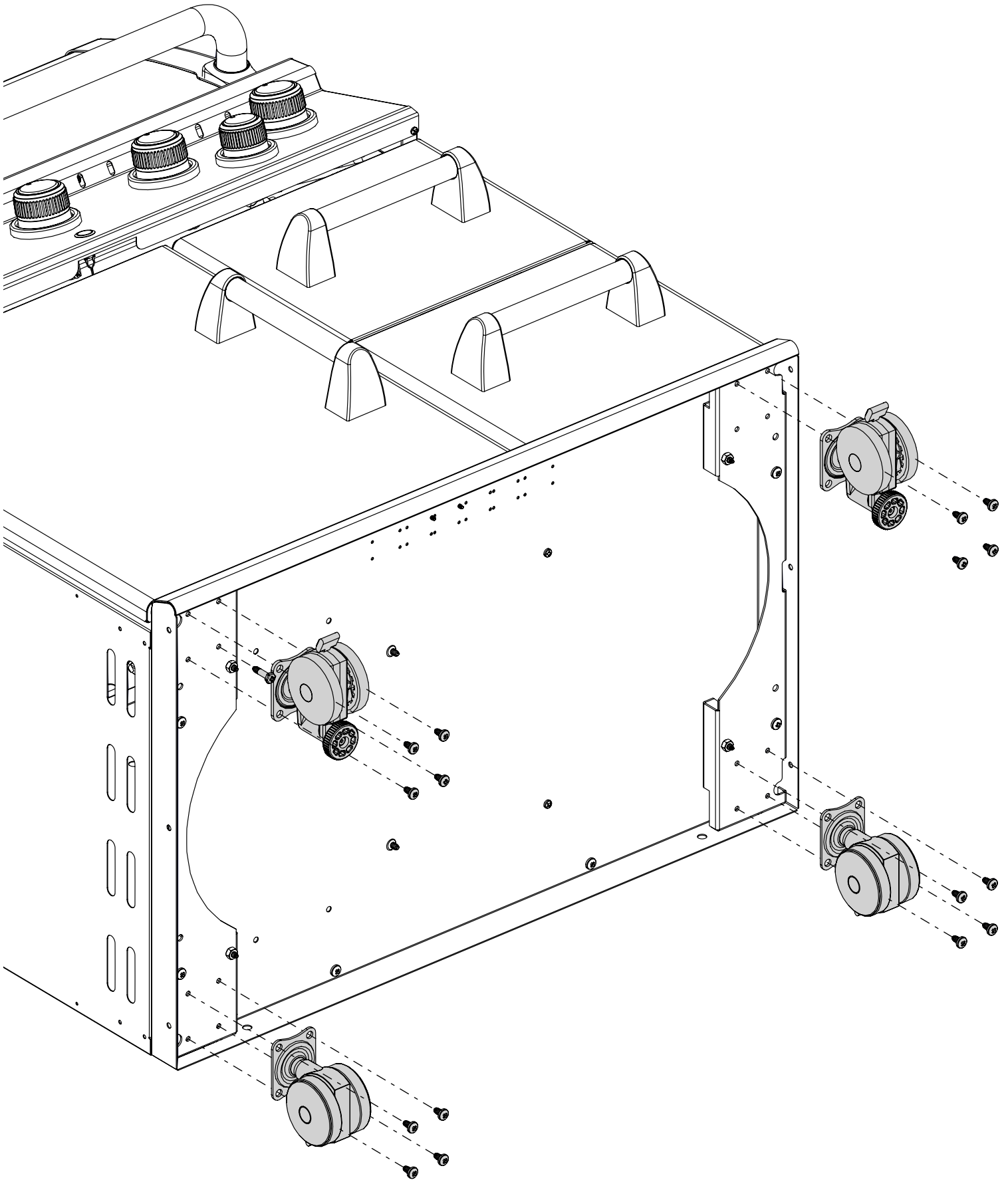
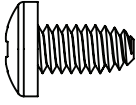


1

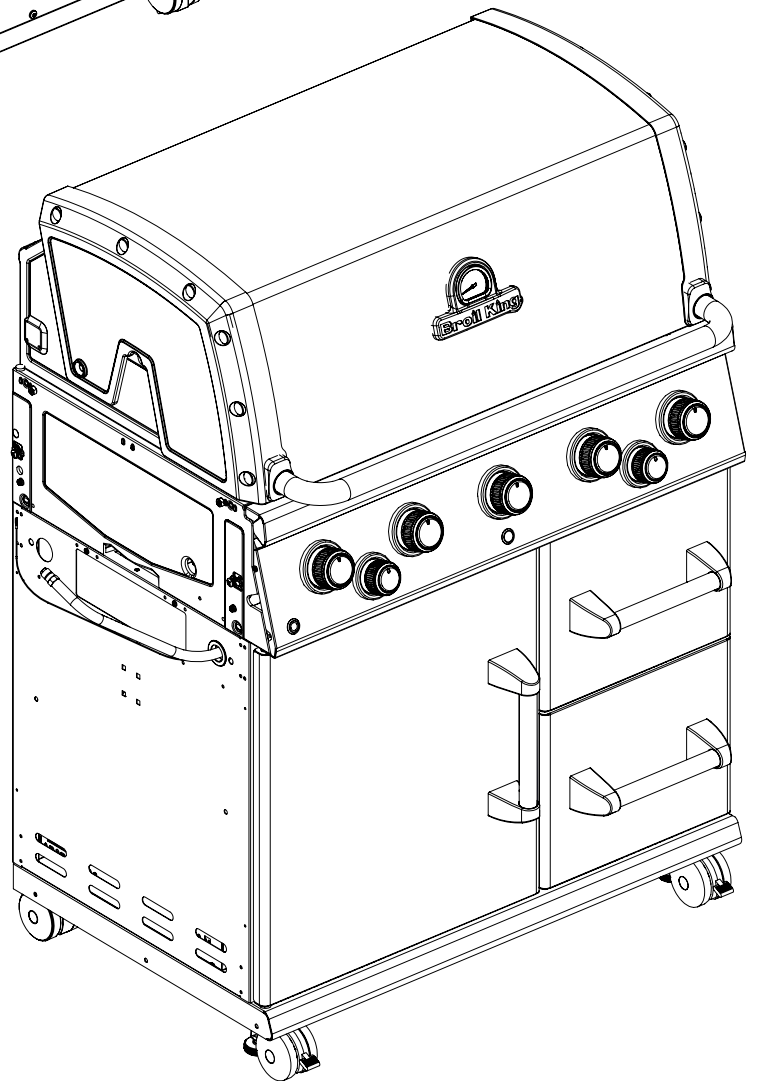
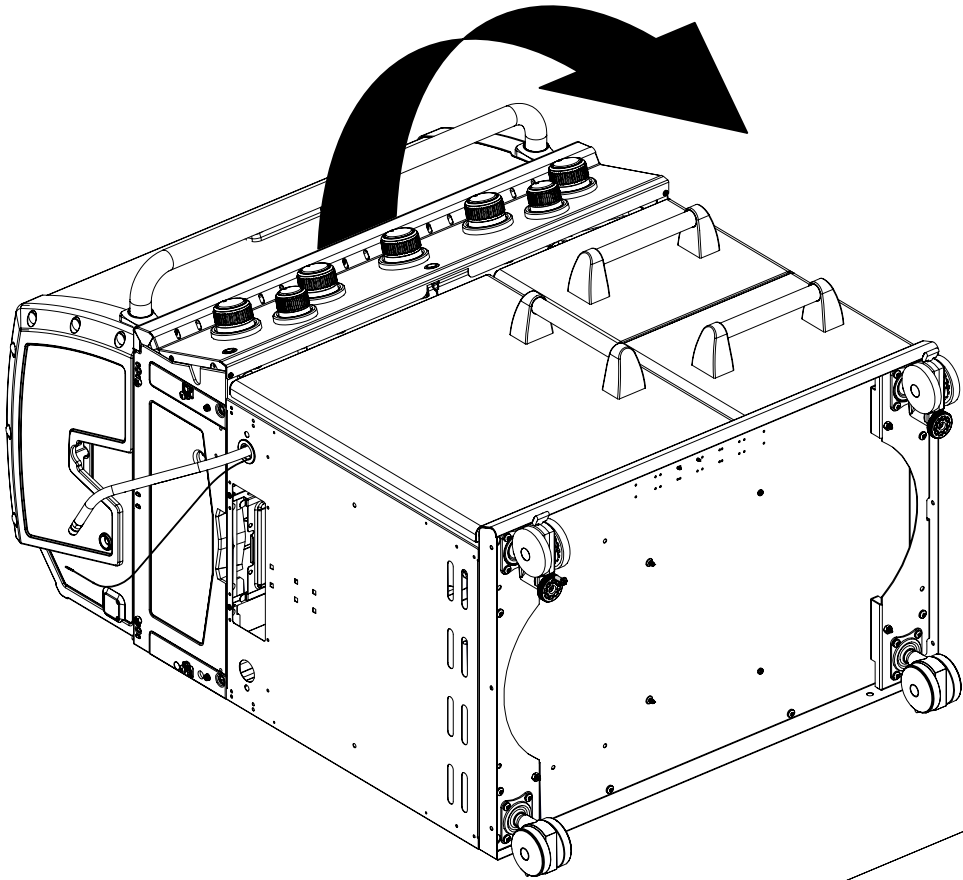


2

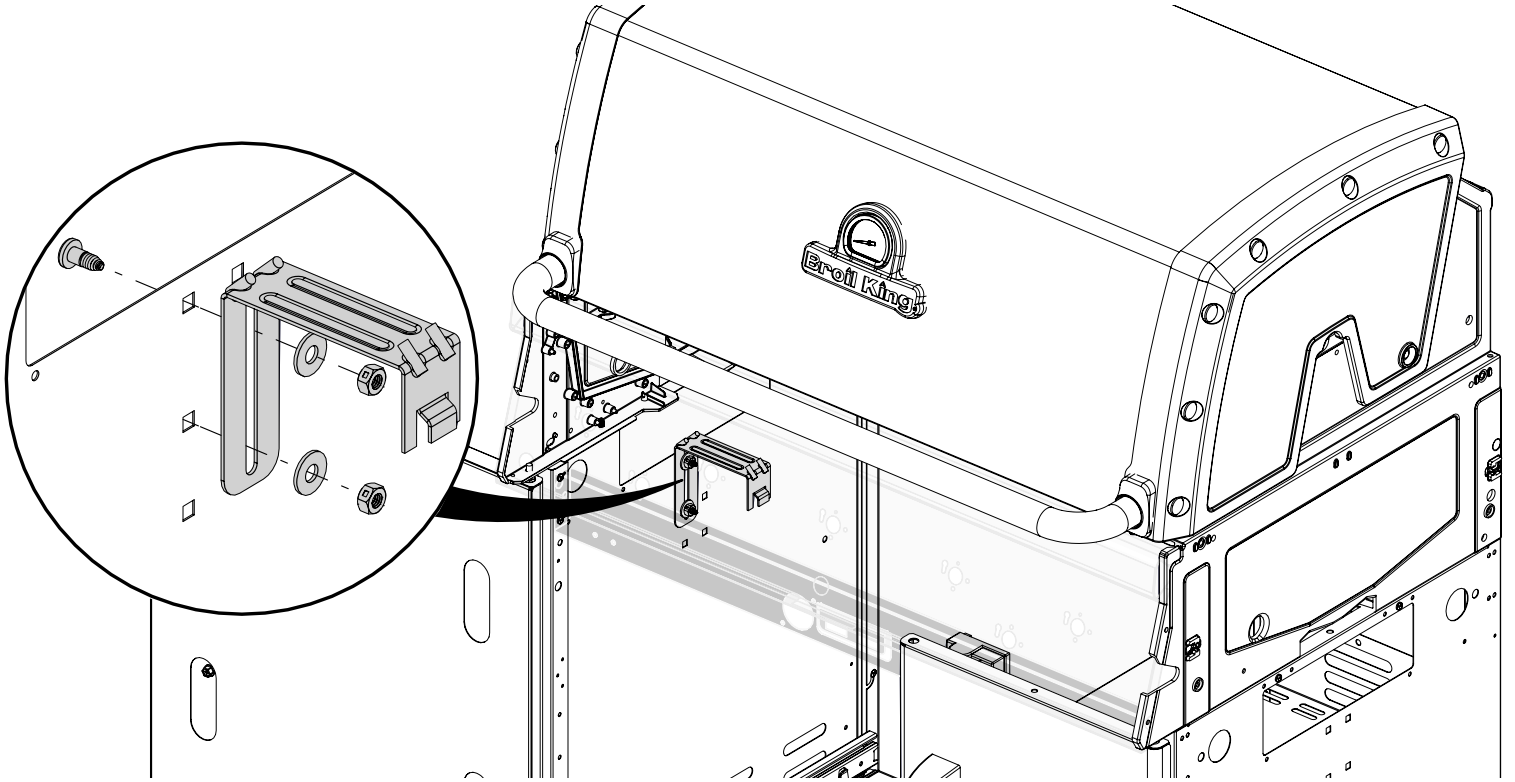
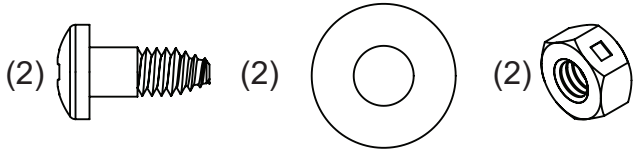
(16)



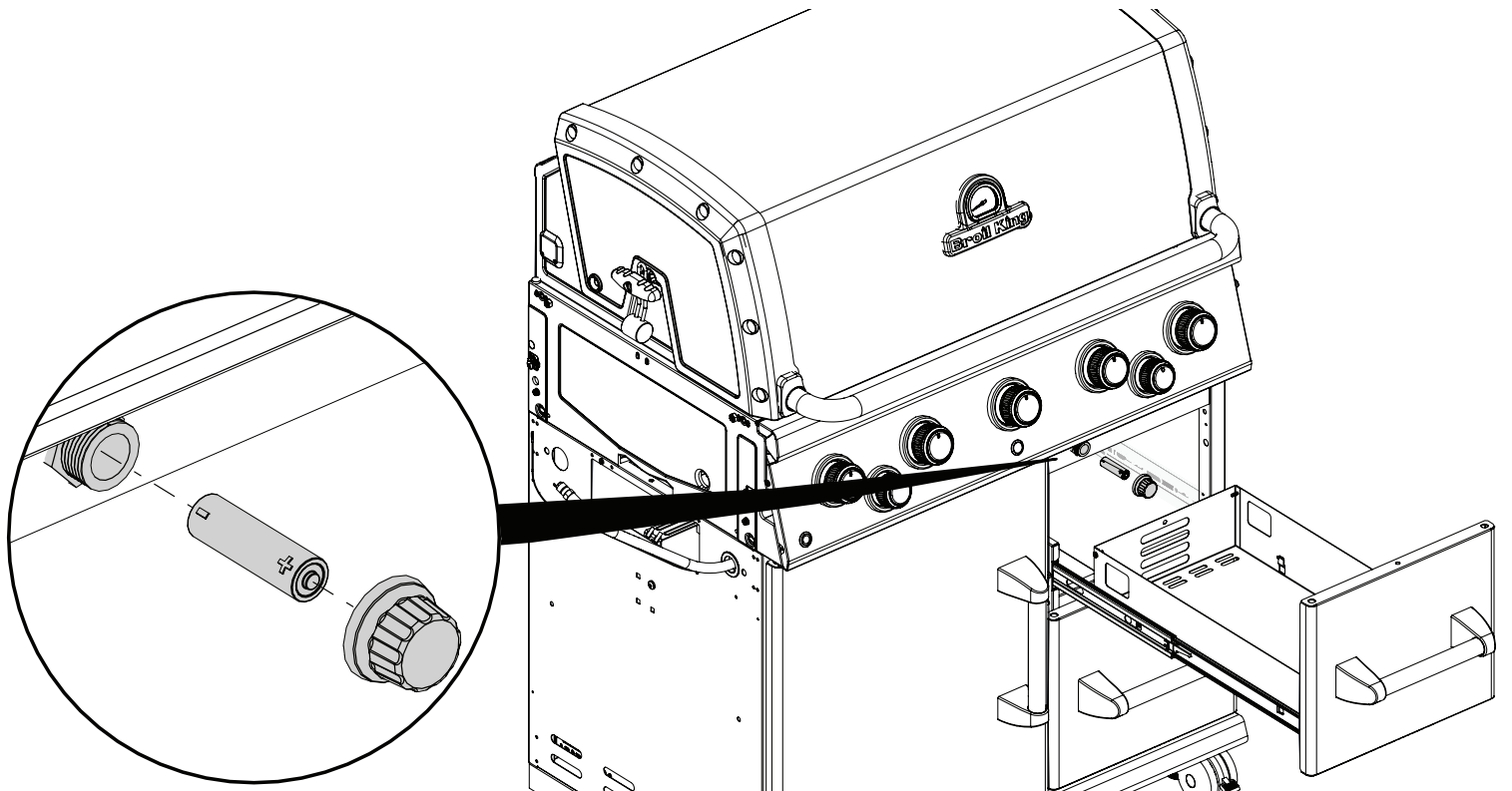
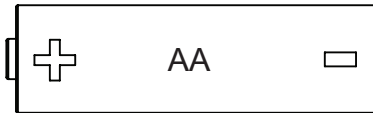
3



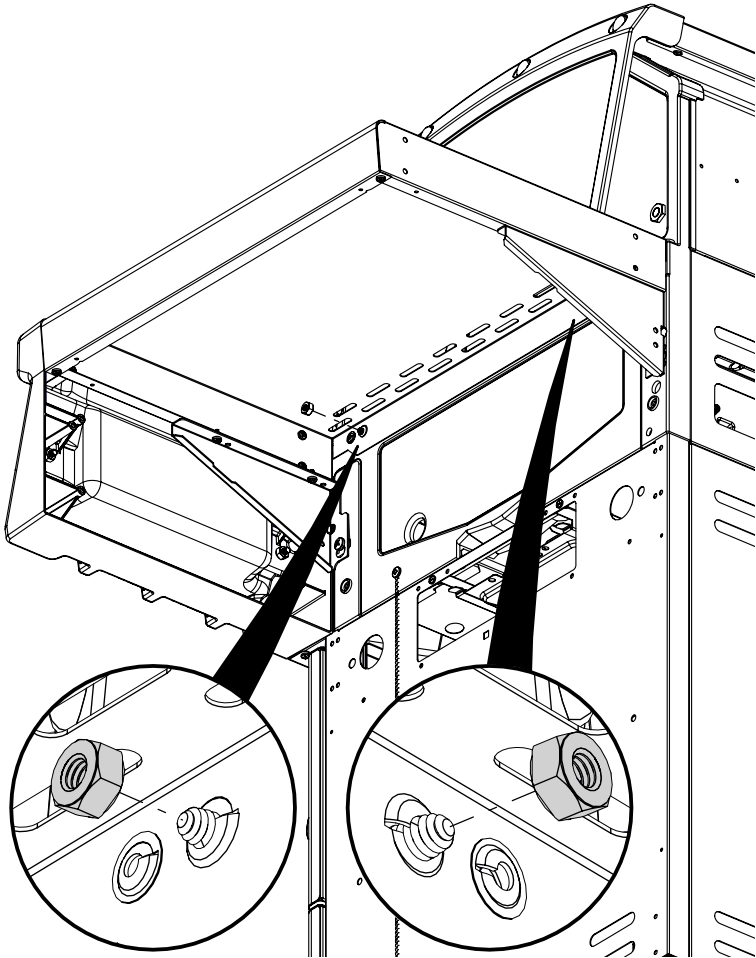
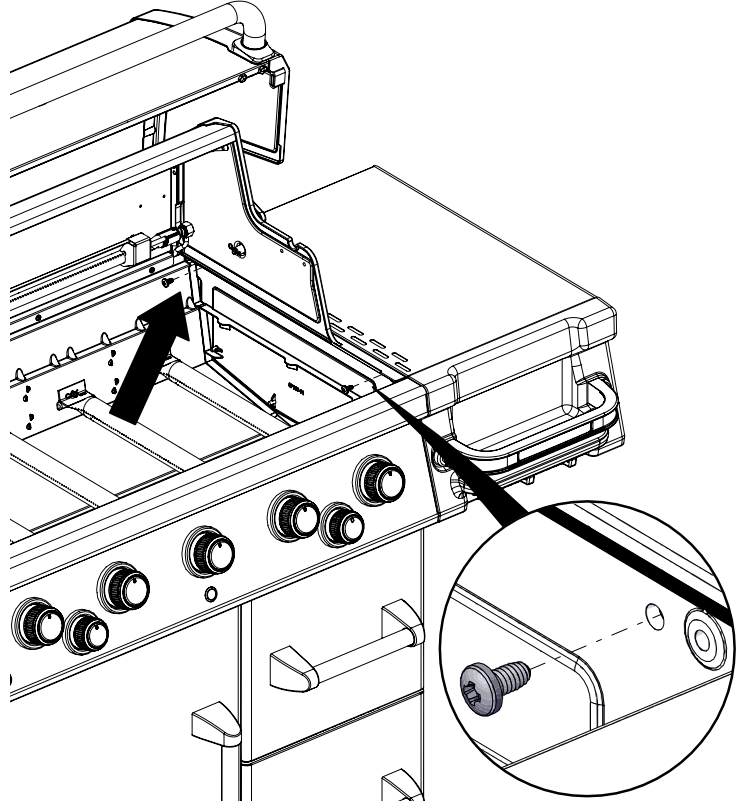
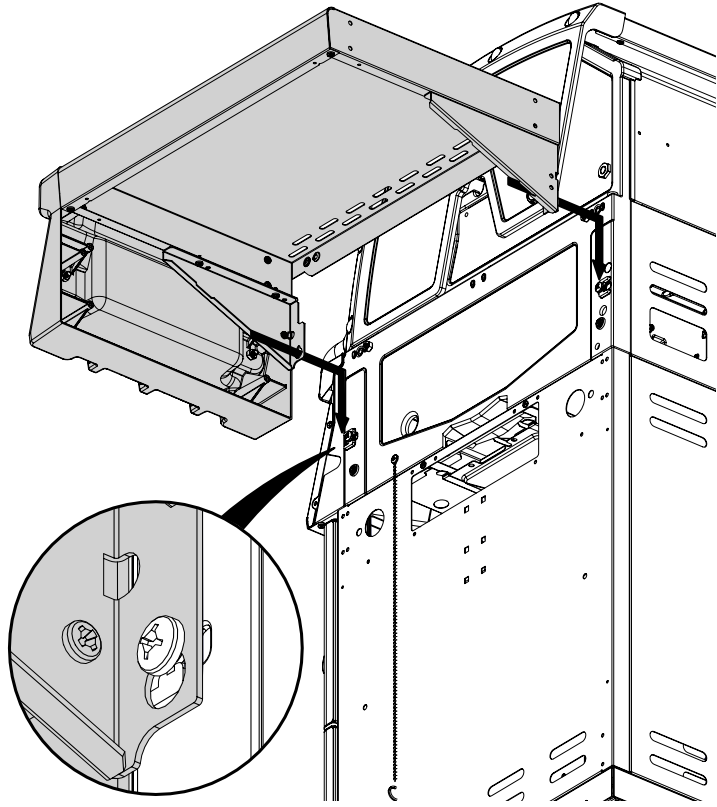
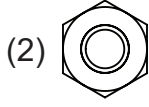
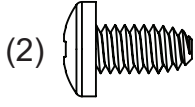
4



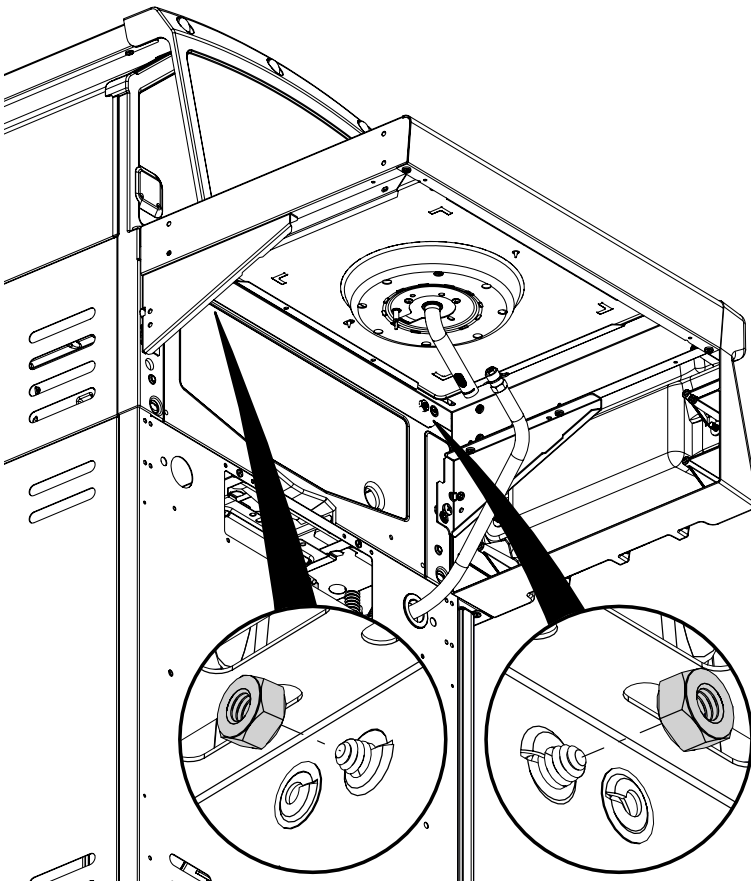
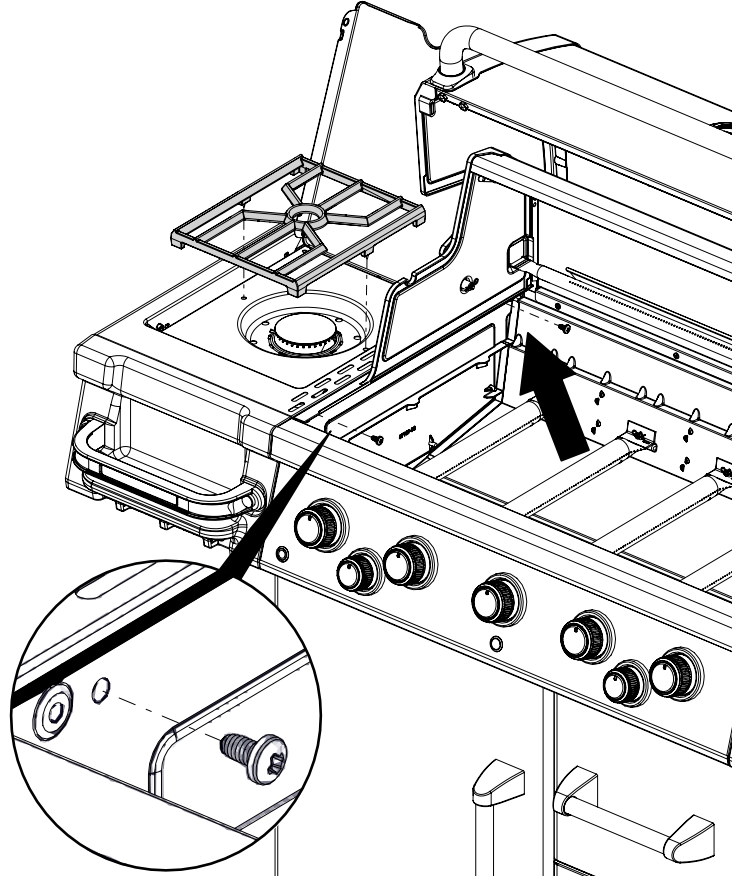
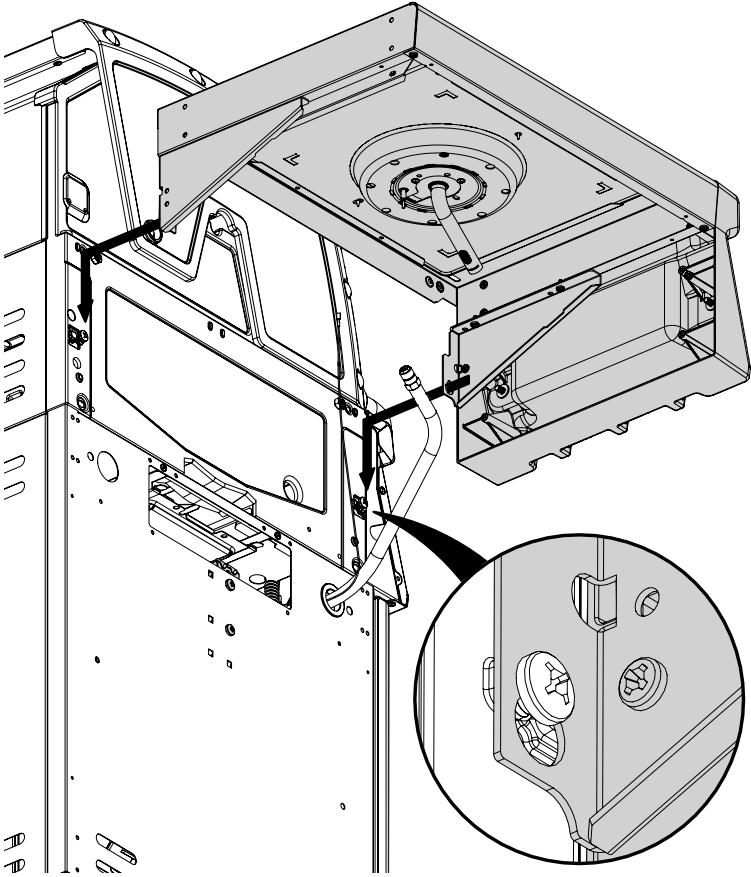
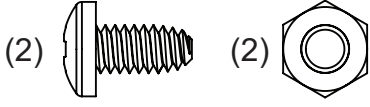
5



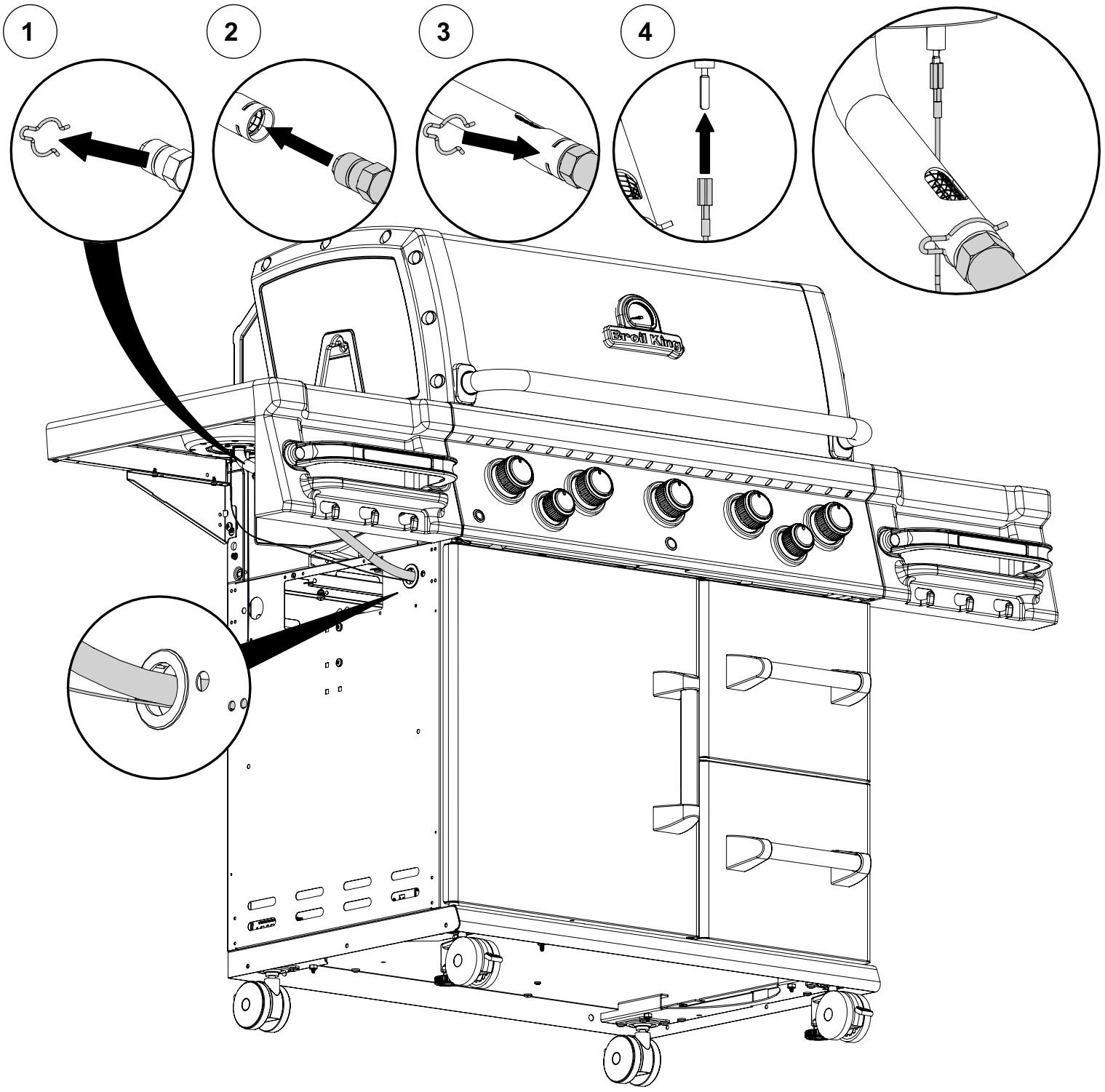
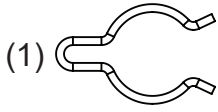
6



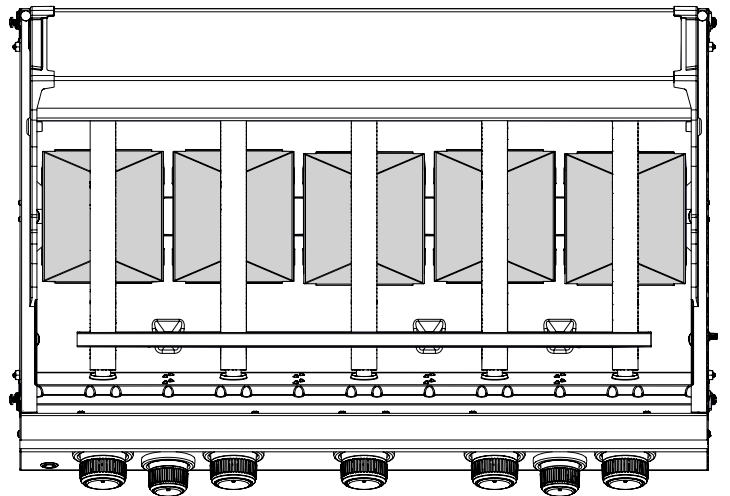
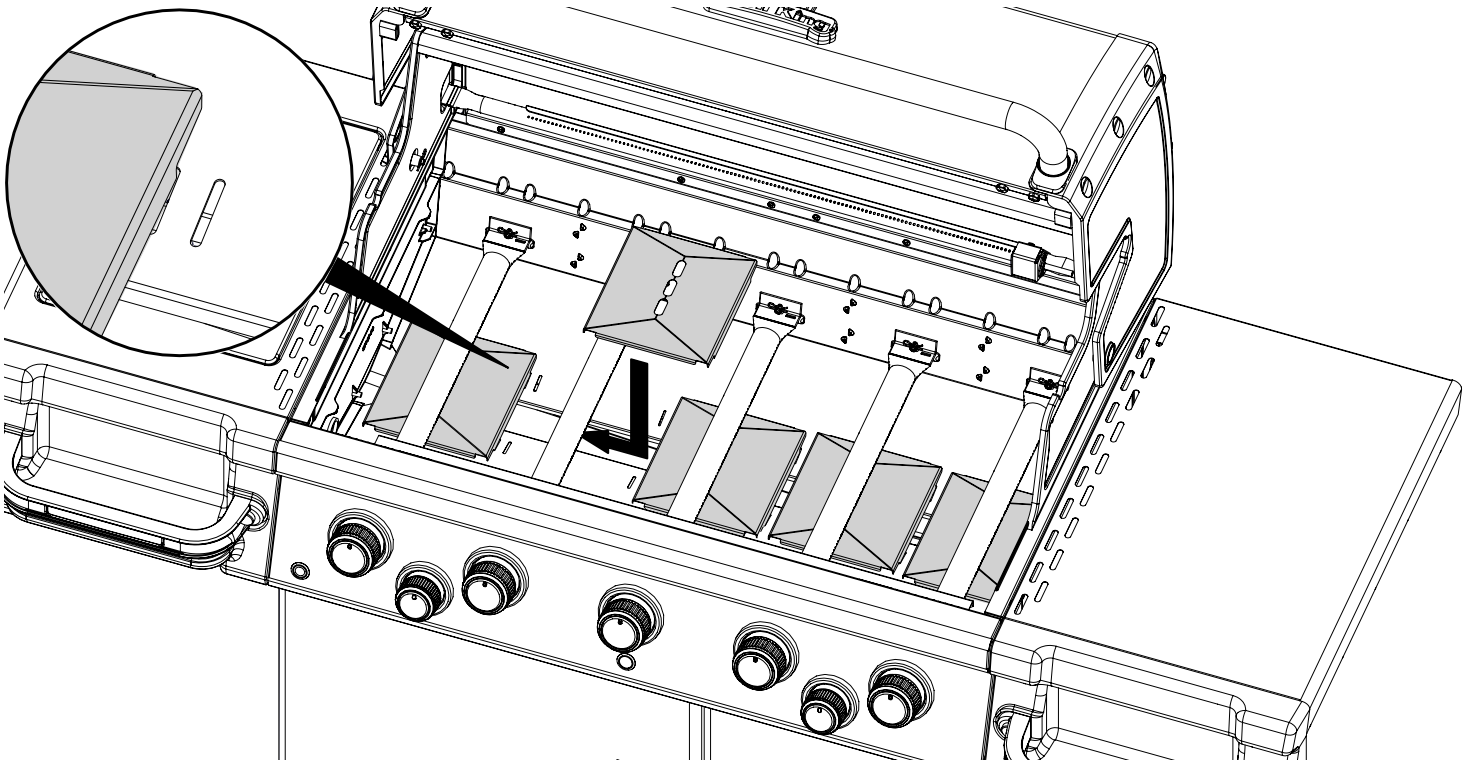
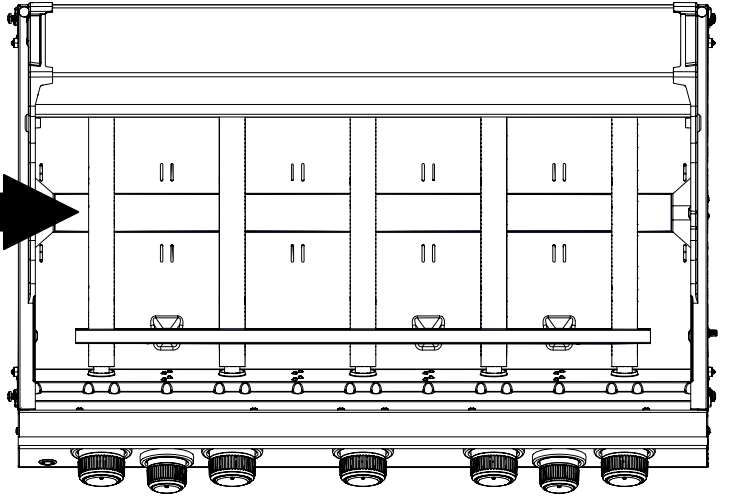
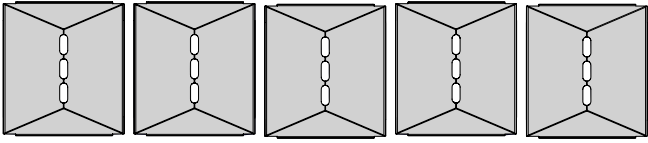
7

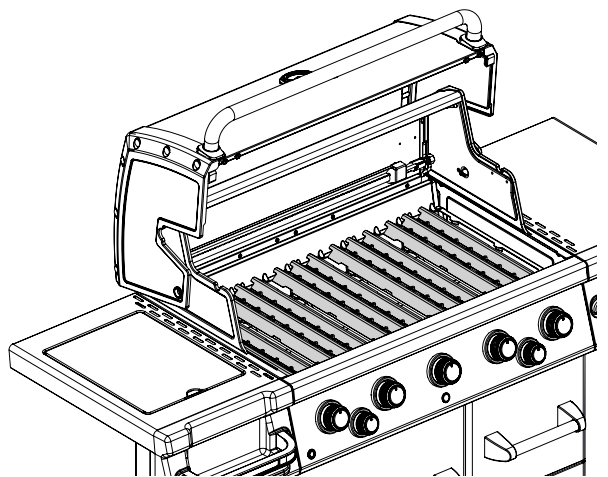
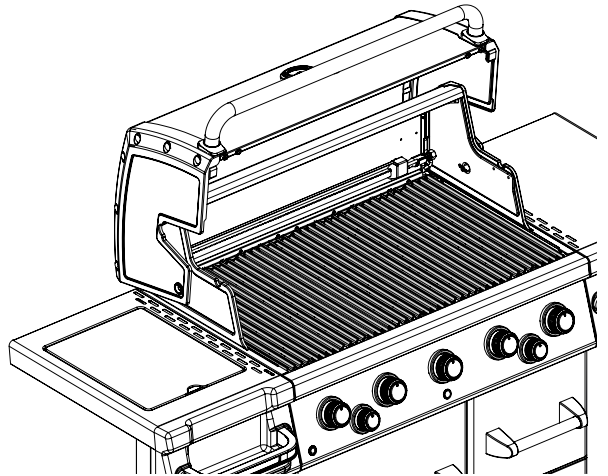
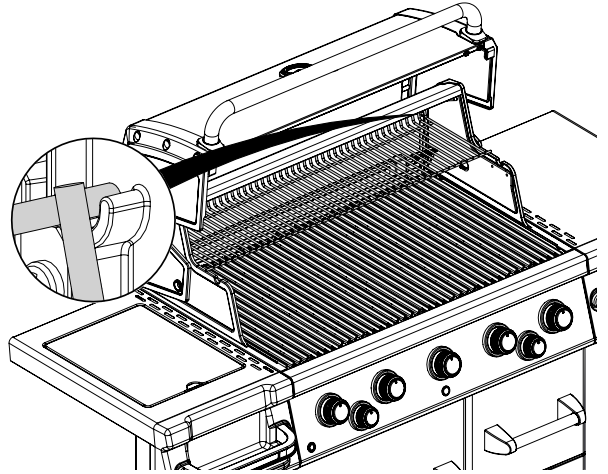
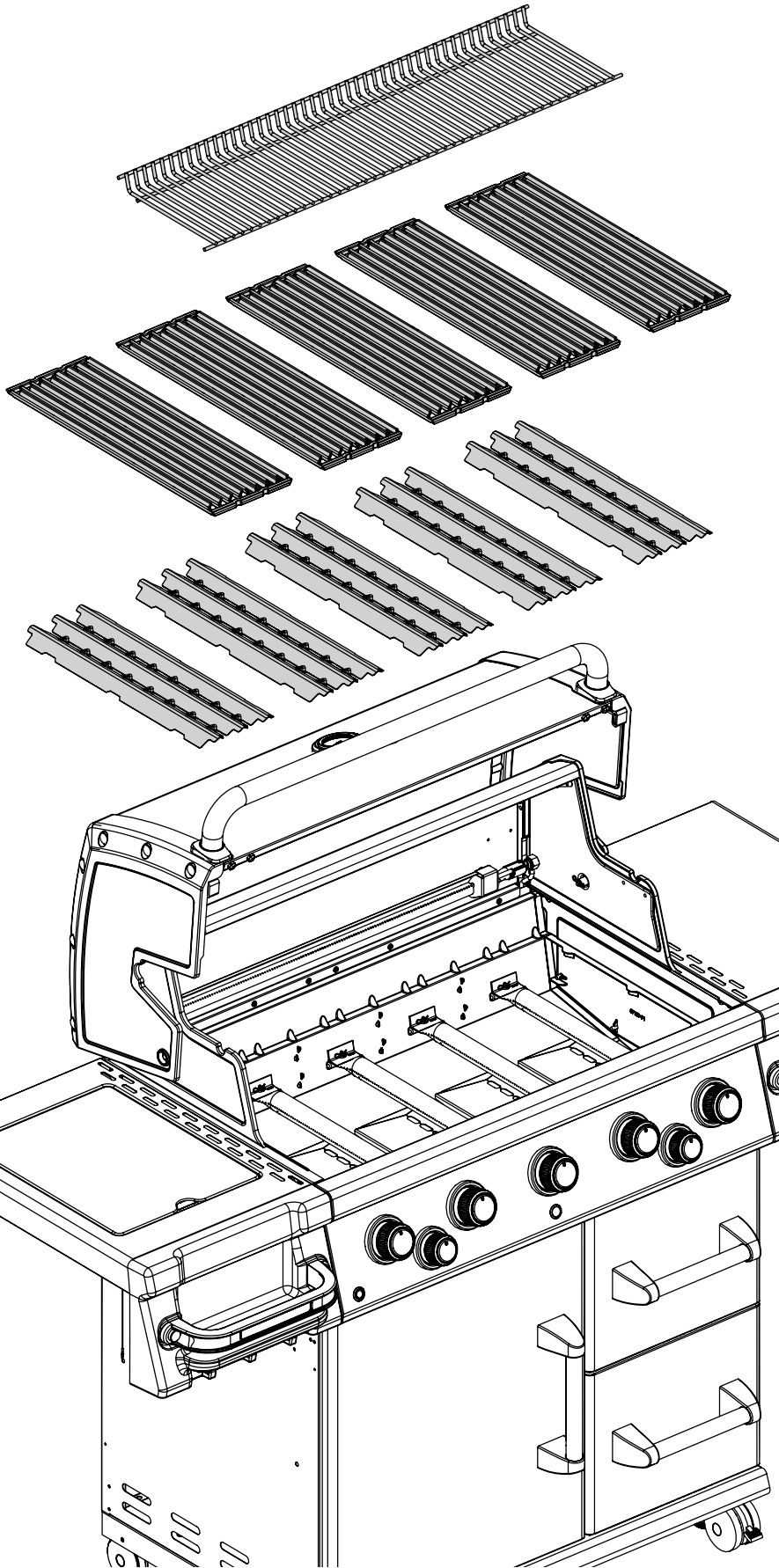


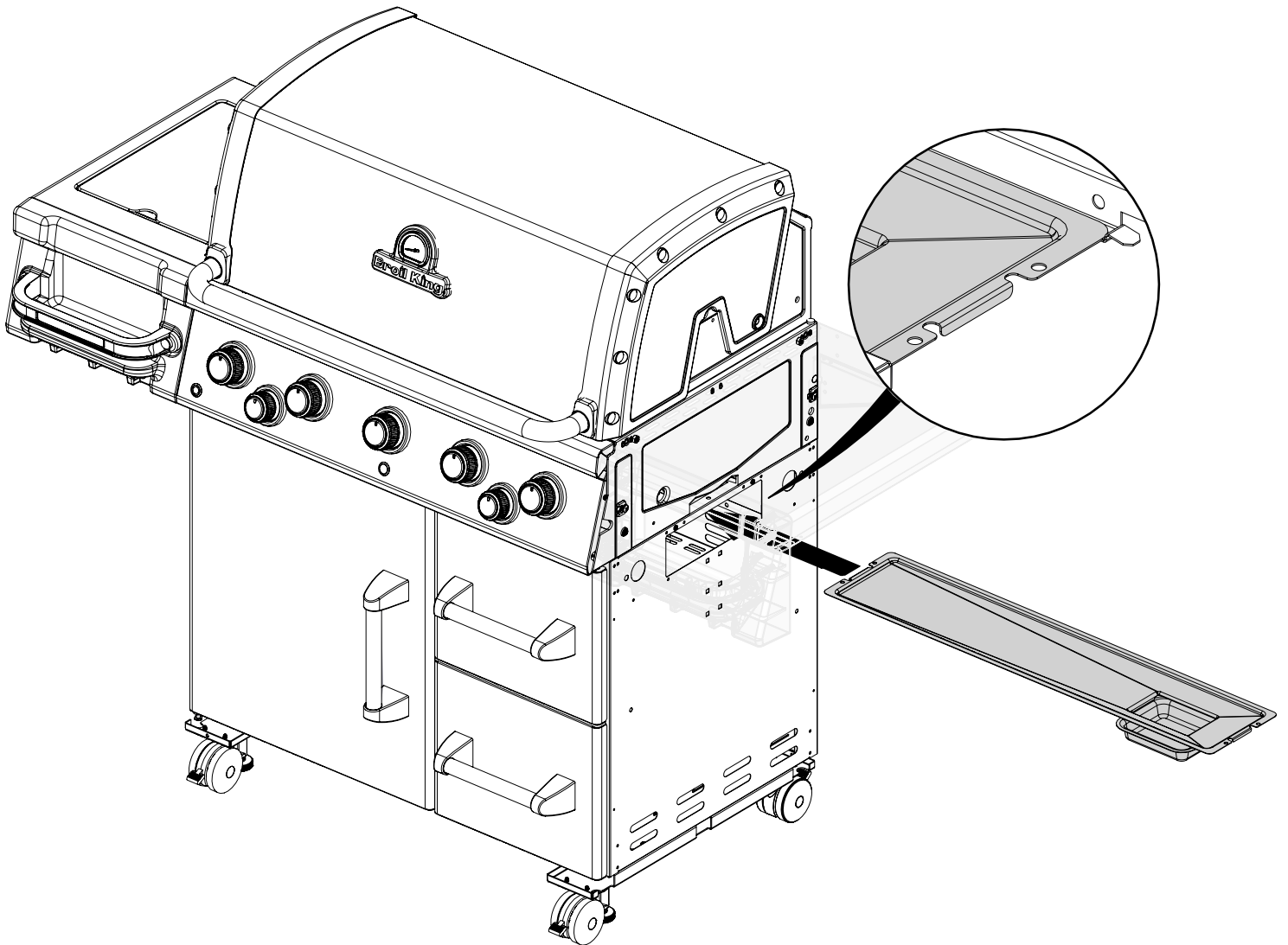
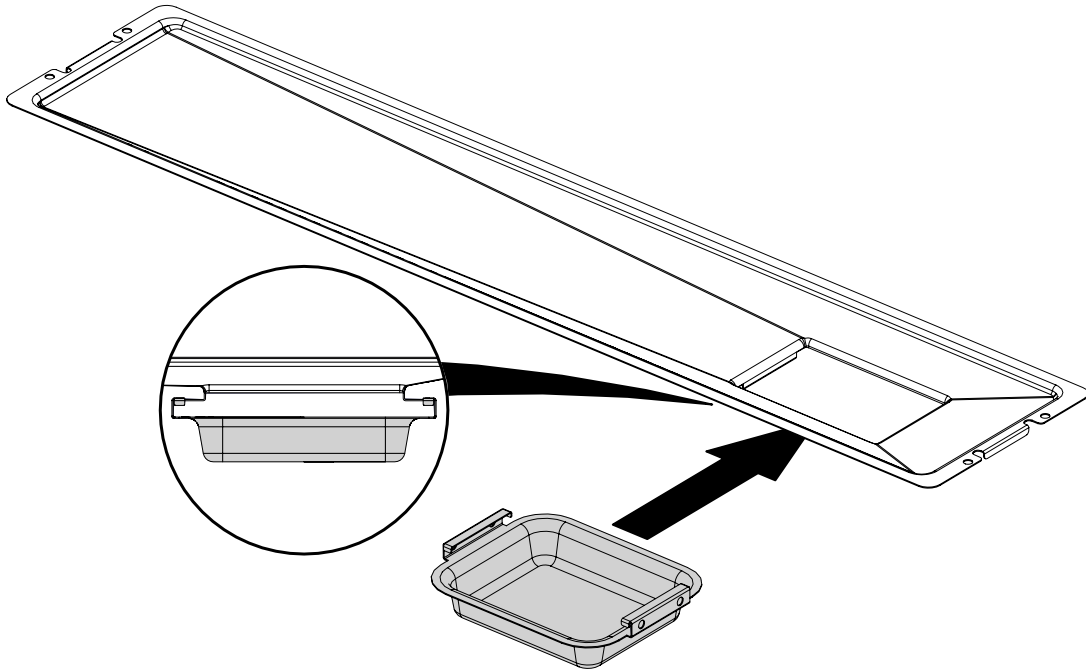
8



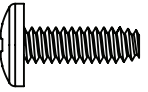
9

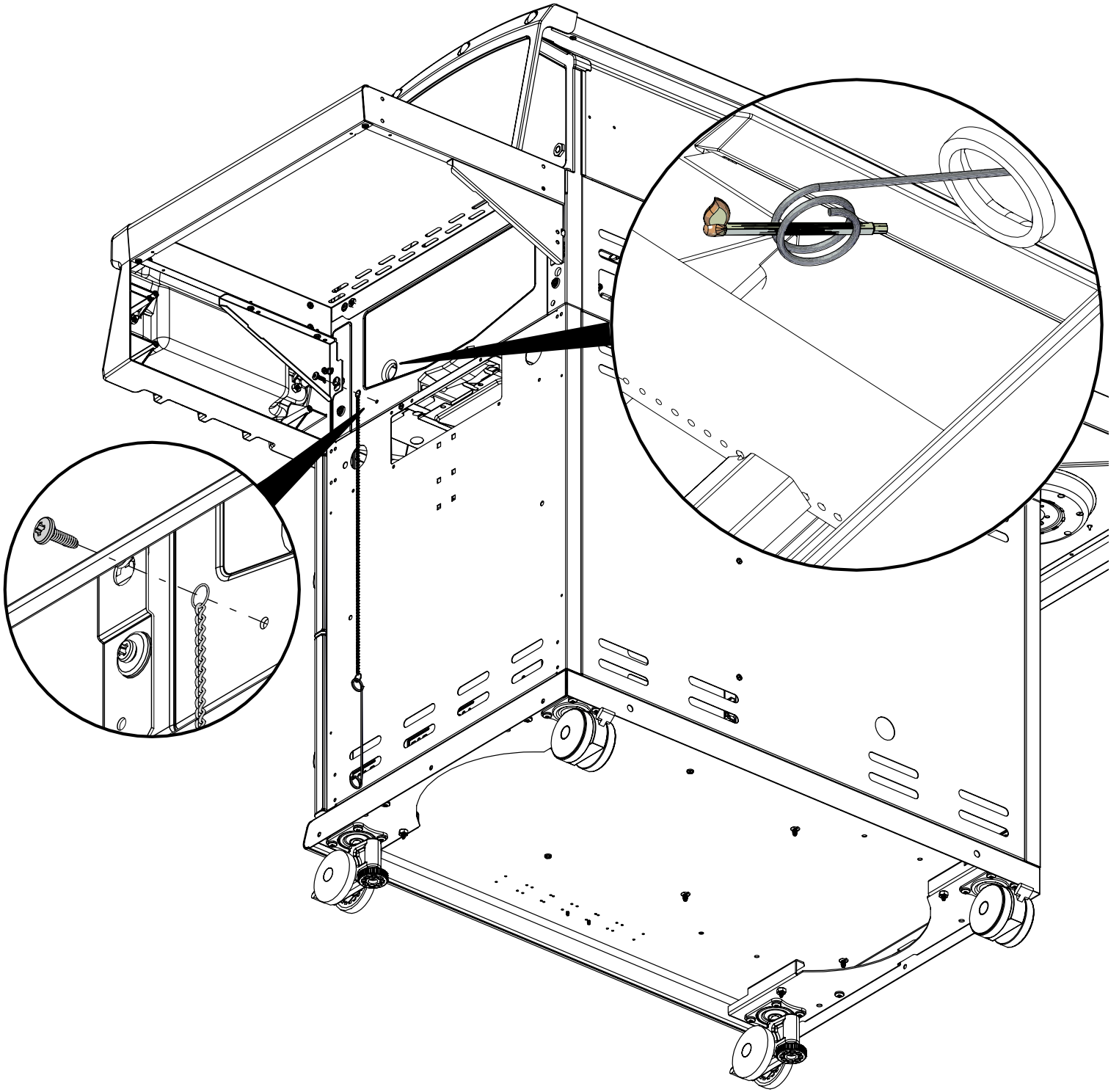


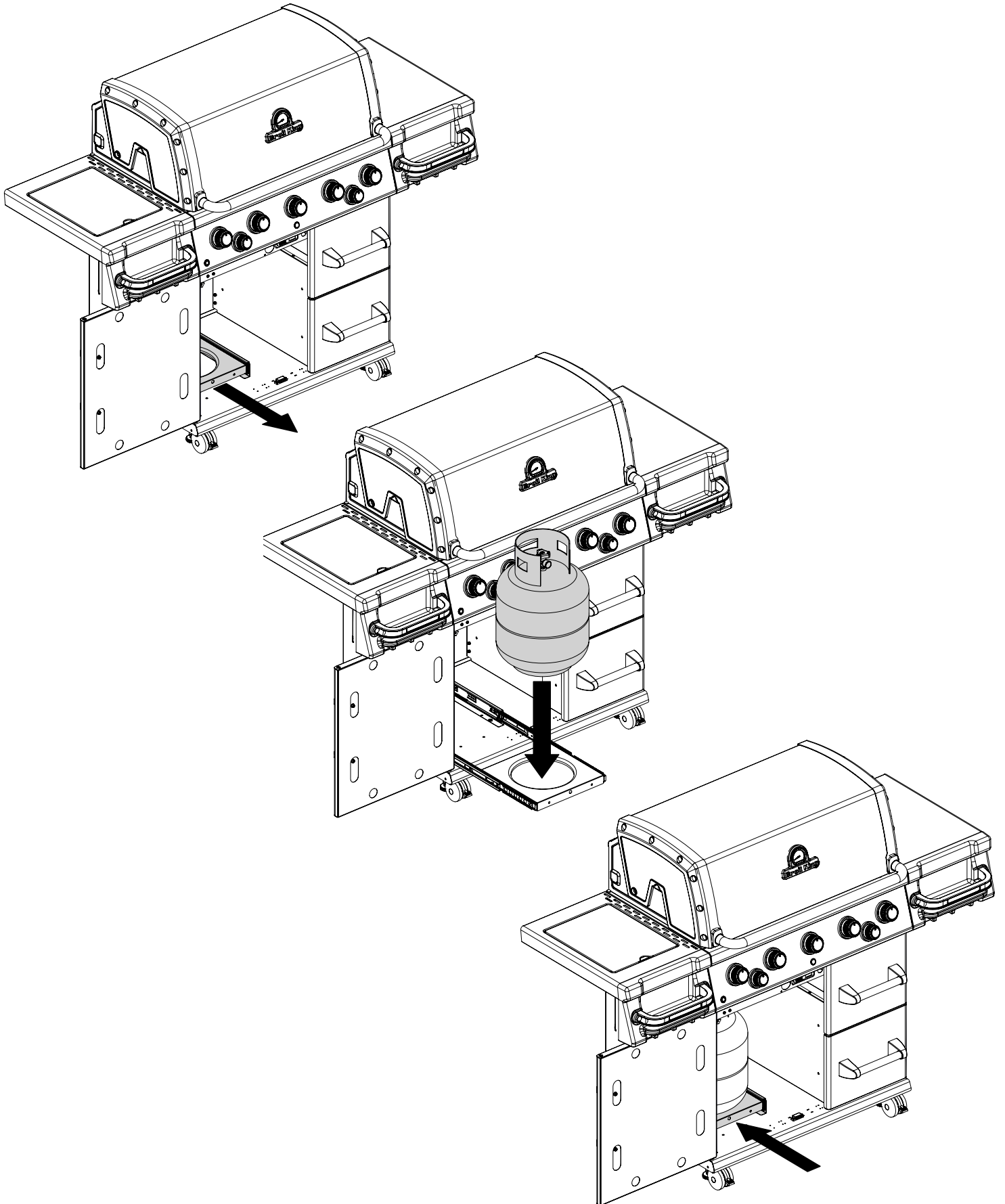




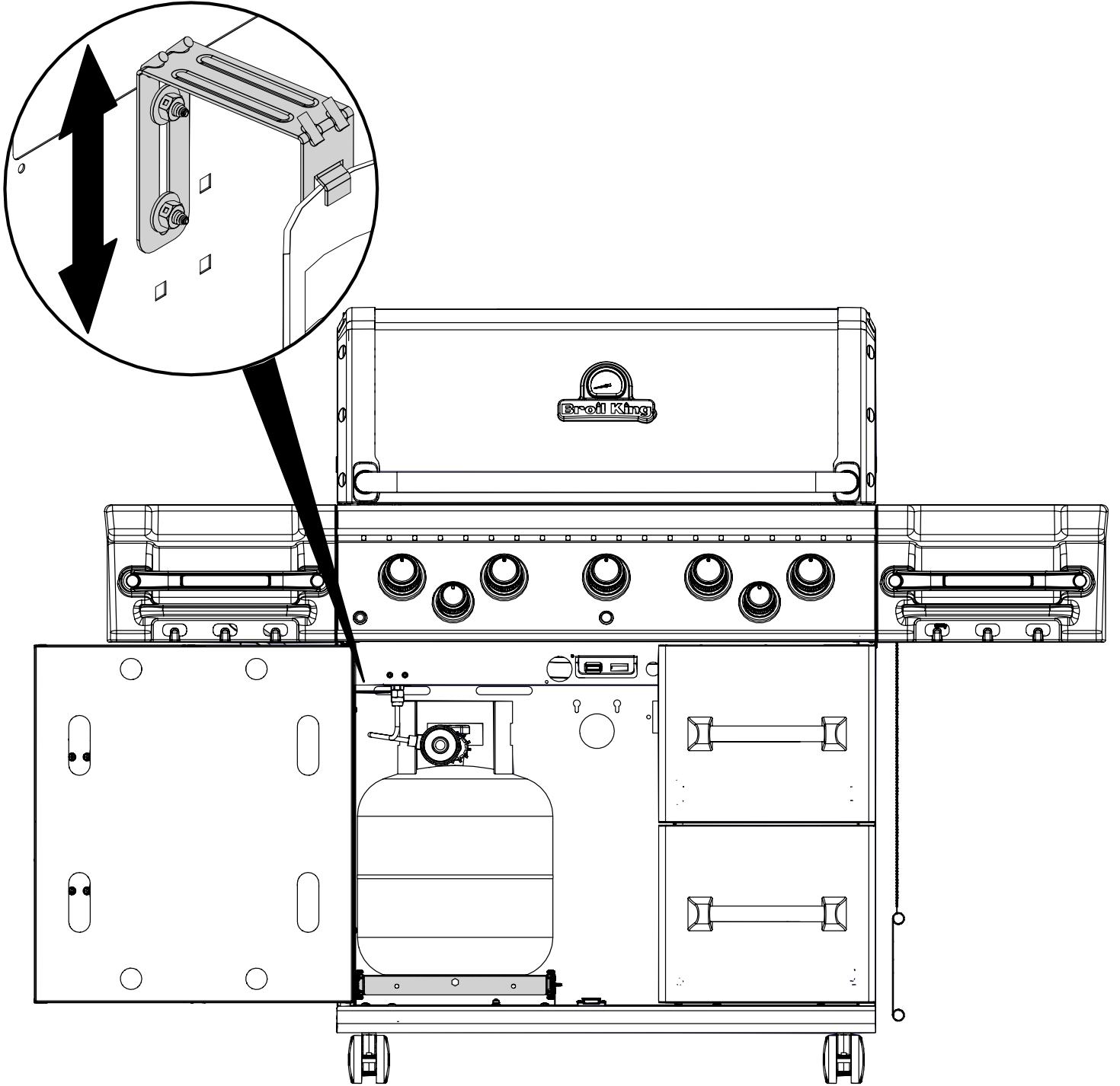
12

(1)  (1)



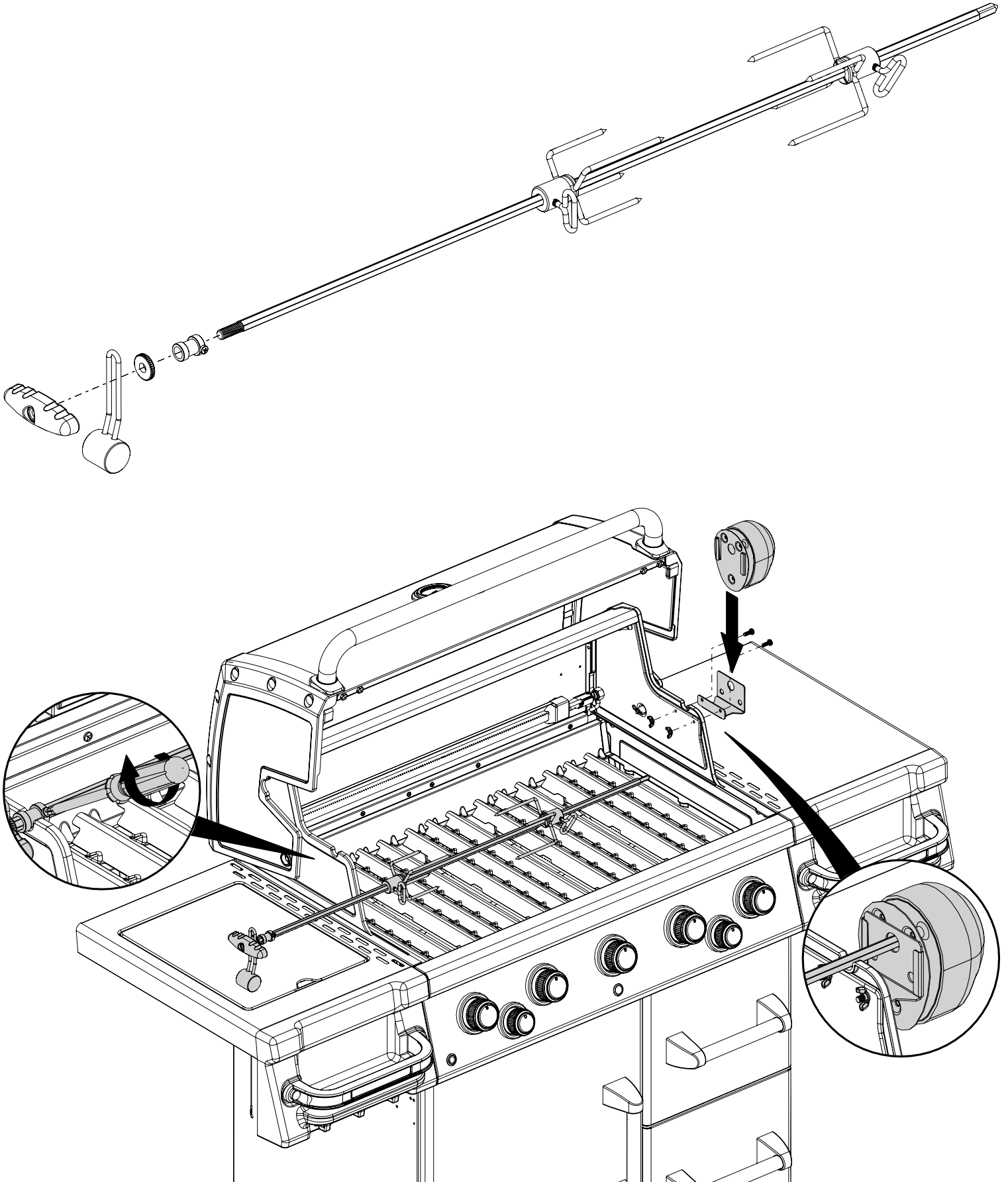


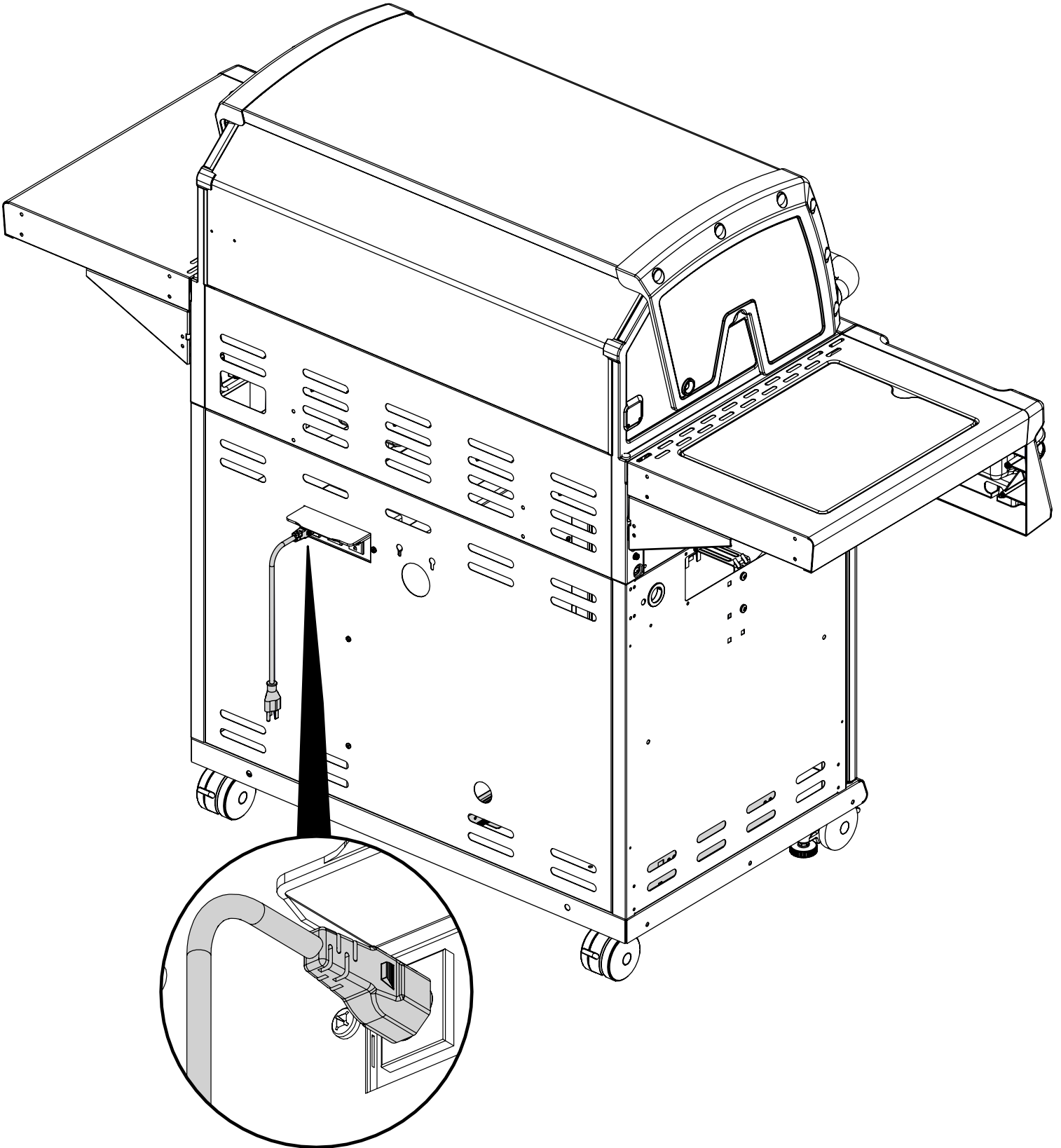
14



15

(2)  (2) 





PARTS LIST / LISTE DES PIECES

<u>KEY #</u>	<u>ITEM #</u>	<u>DESCRIPTION</u>	<u>9987-83NZ</u>
1	27006-703S	FIRE BOX ASSEMBLY	1
2	86006-301	LID ASSEMBLY	1
5	27249-904	GREASE SHIELD	5
7	Y-11544S	SCREW - BURNER	5
8	S21242	HITCH PIN CLIP	5
18	22005-283	GRID - S.S.	5
20	22006-992	WARMING RACK	1
22	22026-904	COLLECTOR BOX	1
25	22909-104E	BURNER	5
26	22001-769	CONTROL KNOB	5
26A	22001-669	CONTROL KNOB	2
27	22002-264	CONTROL BEZEL	5
27A	22001-164	CONTROL BEZEL	2
28	22026-493	CONTROL COVER	1
32	10111-15A	HOSE	1
34	S13473-091	HOSE-SIDE BURNER	1
34A	Y-11230	COTTER PIN	1
35	29006-074	CONTROL ASSEMBLY	1
36	10342-T41	ELECTRODE – SIDE BURNER	1
37	20809-957	TUBE-REAR BURNER ASSY	1
38	Y-11990	HEX NUT	1
40	10114-16	HOSE & REGULATOR	1
43	10342-E13	ELECTRODE	2
43A	10342-E22	ELECTRODE	1
44	10342-45	ELECTRONIC IGNITOR	1
44A	25070-92	WIRE - IGNITOR	1
44B	25070-93	BUTTON -IGNITOR	1
47	21036-991	GREASE RAIL	2
48	22009-901	GREASE PAN	1
49	27056-901	GREASE TRAY	1
51	22209-903	FLAV-R-WAVE ®	5
56	24006-12A	HANDLE	1
58	54009-936	HANDLE BEZEL	2
59	10081-BK630	NAMEPLATE	1
60	10571-6	HEAT INDICATOR	1
65	20005-000	MATCH LIGHT - STICK	1
68	23272-231A	DOOR	1
70	21079-906	HANDLE END CAP	6
71	21171-23	HANDLE - SMALL	3
74	Y-99100	DRAWER SLIDE	4
77	21165-111A	DRAWER	2
78	21336-111	BRACKET - DOOR CATCH	1
80	21109-905R	SIDE PANEL	2
83	21065-901R	DRAWER CENTER MOUNT	1
84	21069-901	DRAWER SUPPORT	1
87	21099-10A	TANK BASE	1
88	21306-925R	PANEL - REAR	1
90	51096-955	BASE	1

PARTS LIST / LISTE DES PIECES

<u>KEY #</u>	<u>ITEM #</u>	<u>DESCRIPTION</u>	<u>9987-83NZ</u>
100	21039-911	CASTOR SUPPORT	2
102	10892-23	CASTOR	2
102A	10892-285	CASTOR	2
103	21009-951	BRACKET – CYLINDER LP	1
114	23101-113	SHELF	1
115	23101-153	SHELF	1
123	Y-12117	BUSHING	2
124	23000-271	SIDE BURNER BODY	1
125	23000-253	SIDE BURNER COVER	1
126	10390-R81A	SIDE BURNER	1
128	23009-99	GRID	1
130	27906-354	BURNER ROTISSERIE	1
131	10693-109	REAR BURNER-ORIFICE	1
	10693-160	REAR BURNER-ORIFICE	•
133	S15271	HANDLE	1
134	S15270	BALANCER	1
135	S15299	WASHER	1
136	S15263	BUSHING	1
137	S15259	SPIT ROD	1
138	S15287	4 PRONG FORKS	4
139	57039-901	ROTISSERIE BRACKET	1
140	S21125	SCREW #8 X 1/2	4
141	Y-11559	SCREW 1/4-20 X 3/4	6
142	S21127S	SCREW #8-32 X 7/16	14
144	Y-12220	BUSHING	1
145	S21235	HINGE PIN	2
146	S21233	HITCH PIN CLIP	2
147	Y-11231	LID BUMPER	2
148	10240-20	DOOR PIN	1
149	Y-11551	DOOR PIN	1
150	Y-12124	DOOR PIN CAP	1
151	Y-11567	SCREW M8 SHOULDER	8
152	Y-12222	MAGNET	1
153	Y-12223	SNAP IN MAGNET	1
154	Y-11560	SCREW 1/4-20 X 1-1/2	8
155	S21124	SCREW #8 X 1/2	22
156	Y-11793	NUT 1/4-20	8
157	Y-12835	SCREW #6-32 X 1/4	2
158	Y-12646	SCREW - SHOULDER #8 X 1/2	2
159	S21136	SCREW #8-32 X 3/8	8
160	Y-29304	SCREW #10-24 X 3/8	2
161	Y-29310	SCREW #10-24 X 3/4	4
163	S35094	SCREW #10-24 X 5/8	2
164	S21084	SCREW #14 X 5/8	4
169	S21061	WING NUT	2
170	Y-12084	NUT – 10-24	6
171	S15247	MOTOR	1
172	S15508	ELECTRODE	1

PARTS LIST / LISTE DES PIECES

<u>KEY #</u>	<u>ITEM #</u>	<u>DESCRIPTION</u>	<u>9987-83NZ</u>
173	S21362	SPRING	1
174	S21255	WASHER	2
175	Y-11546	SCREW 1/4-20 X 5/8	2
180	S35095	SCREW #10-24 X 5/8	1
181	25070-91	WIRE - TRANSFORMER	1
181A	25070-95	LIGHT SWITCH	1
182	25020-71	OVEN LIGHT	2
183	20589-AU	TRANSFORMER PLUG	1
184	20589-90U	TRANSFORMER	1
185	25030-72	WIRE - OVEN LIGHT	1
186	Y-12865	BOLT 1/4-20 X 1/2	32
188	Y-11795	NUT 1/4-20	2
190	25020-84	WIRE - LED LIGHT	1
191	25020-83	WIRE - LED LIGHT	1
193	SP11-25	LID BUMPER	2

