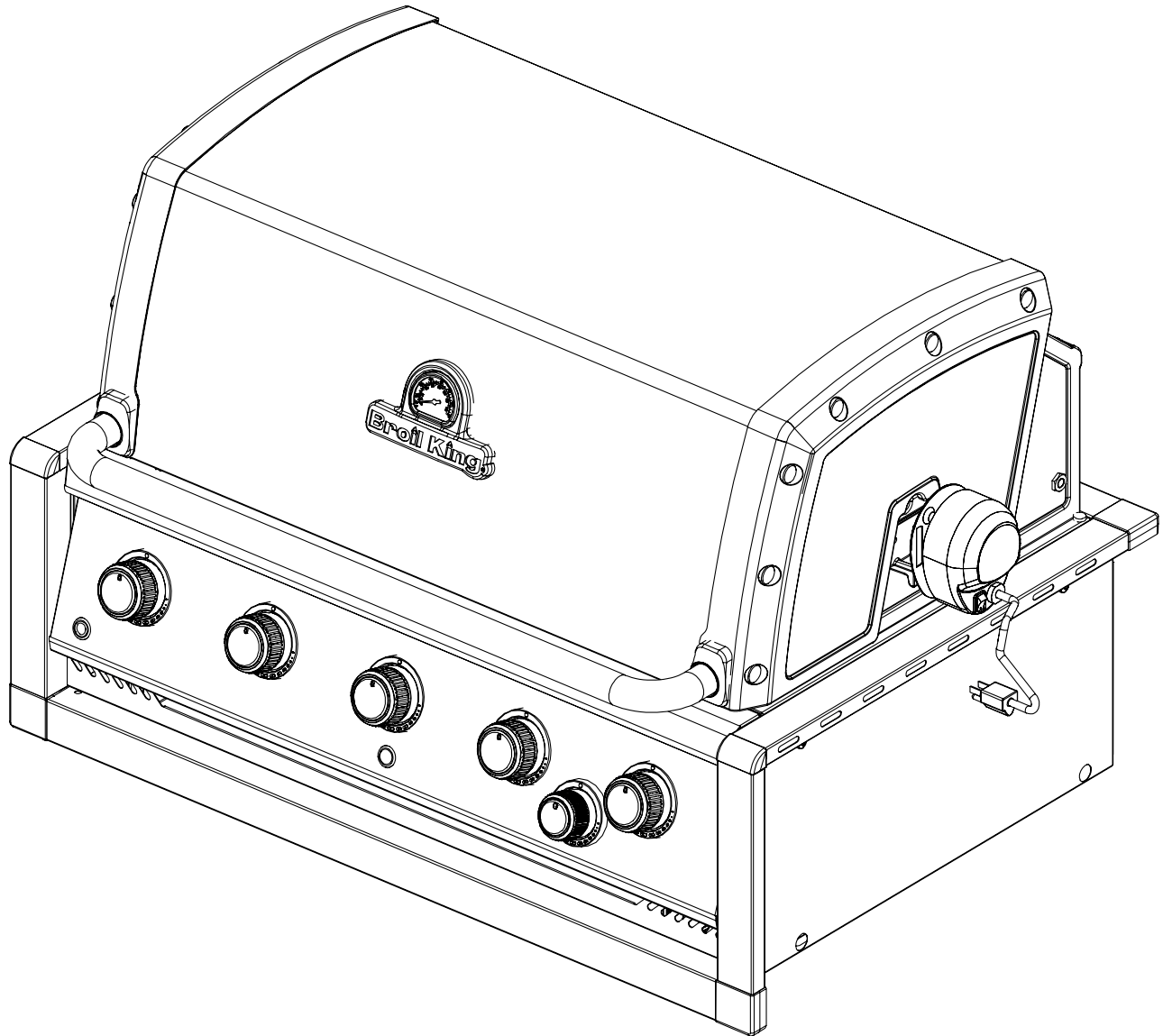


# Broil King®

---

---



**Broil King**  
IMPERIAL 570 BUILT-IN  
8966-73NZ

---

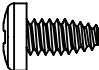
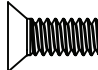
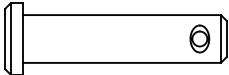
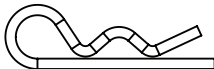
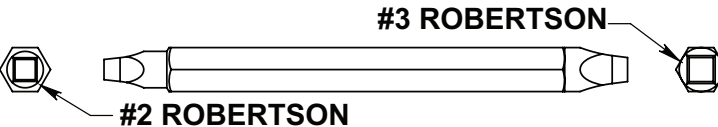
---

*Onward*  
MANUFACTURING COMPANY LIMITED  
585 KUMPF DRIVE  
WATERLOO, ONTARIO, CANADA  
N2V 1K3

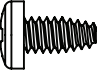
SINCE 1906

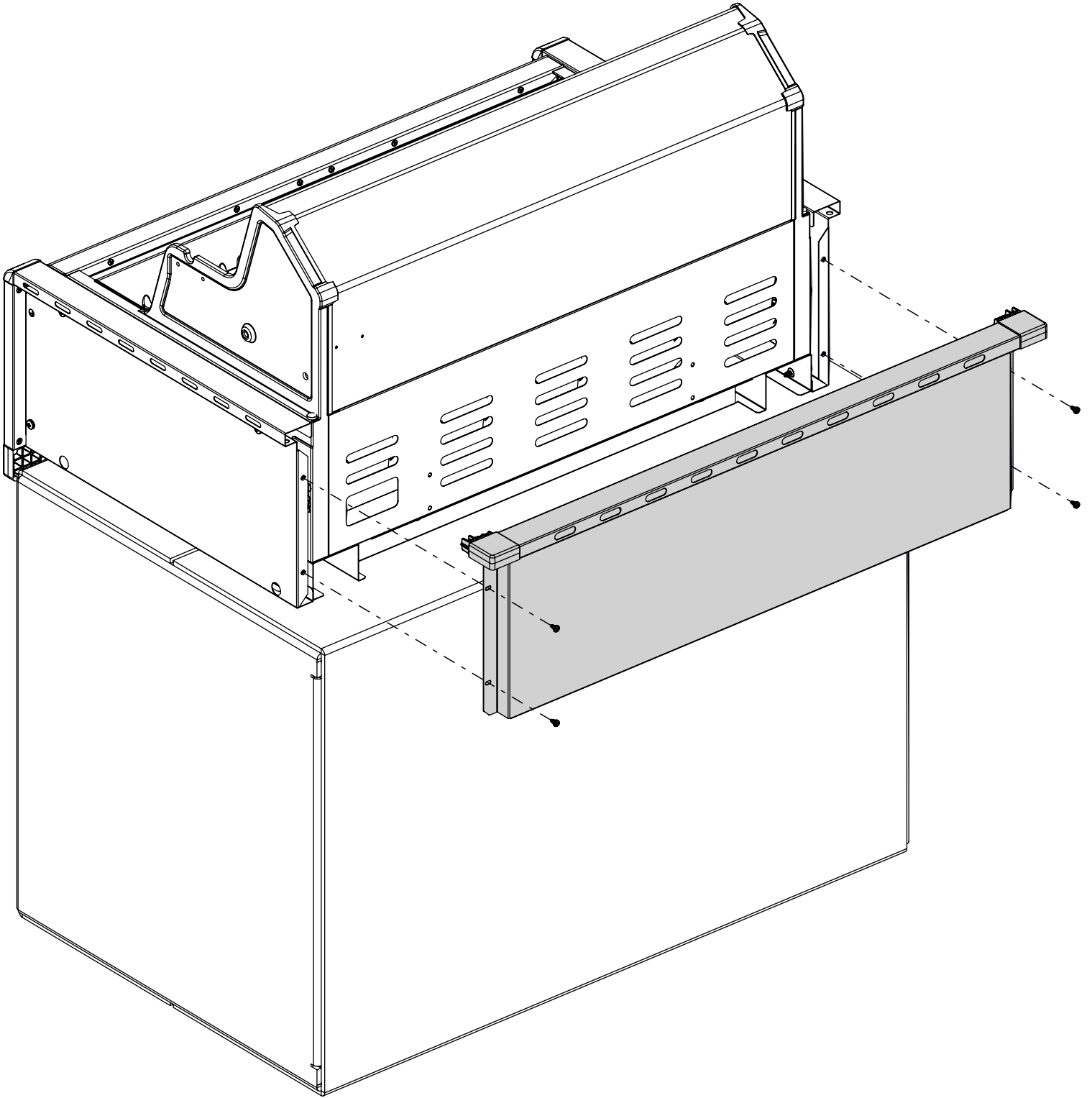
70084-E76NZ REV B 03/22

**HARDWARE INCLUDED / MATERIAL INCLUS / EQUIPOS INCLUIDO**

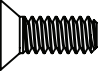
Y-29304  (4)	Y-29301  (2)
S21235  (2)	S21233  (2)
 <p>#3 ROBERTSON</p> <p>#2 ROBERTSON</p>	

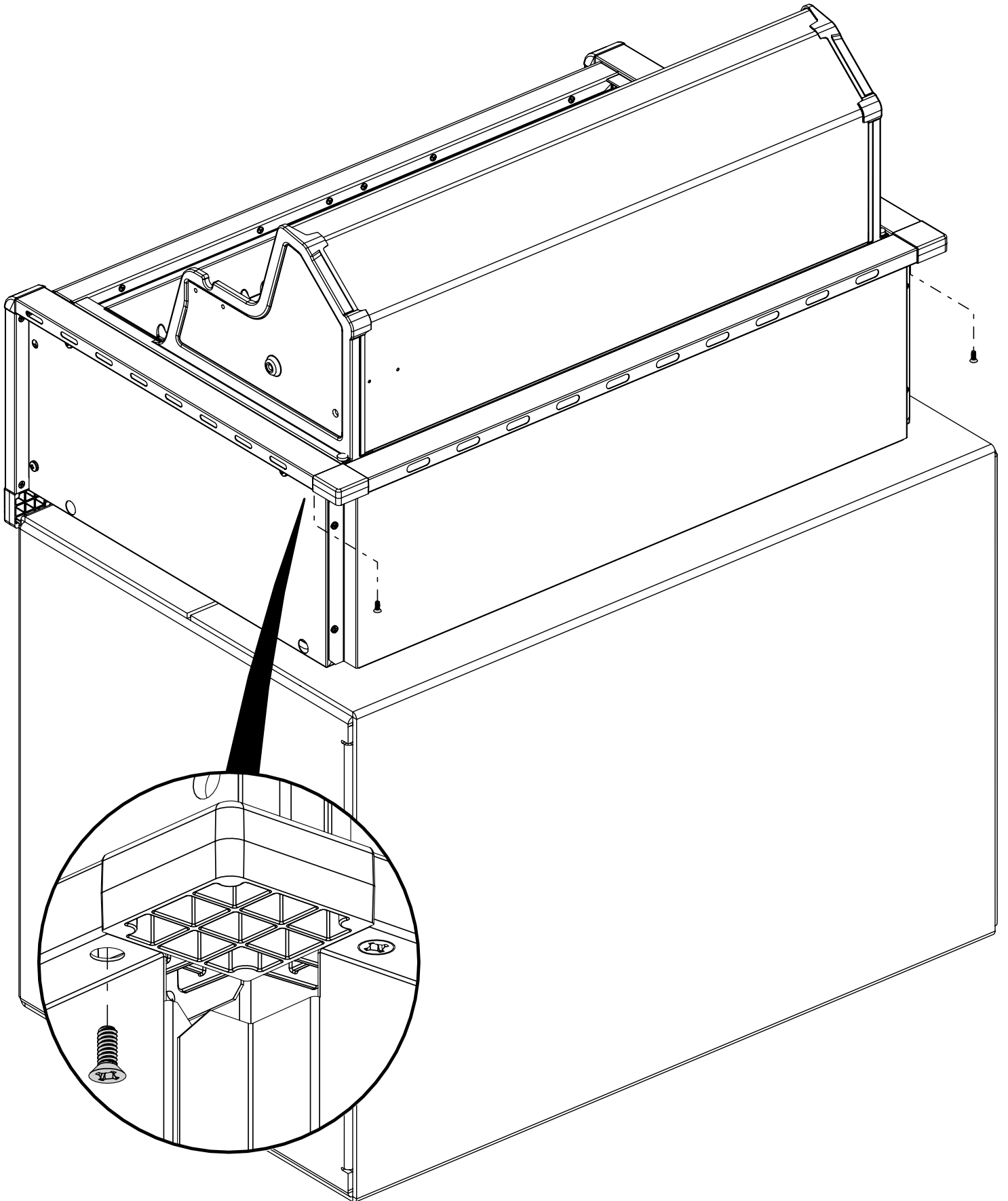
1

(4) 

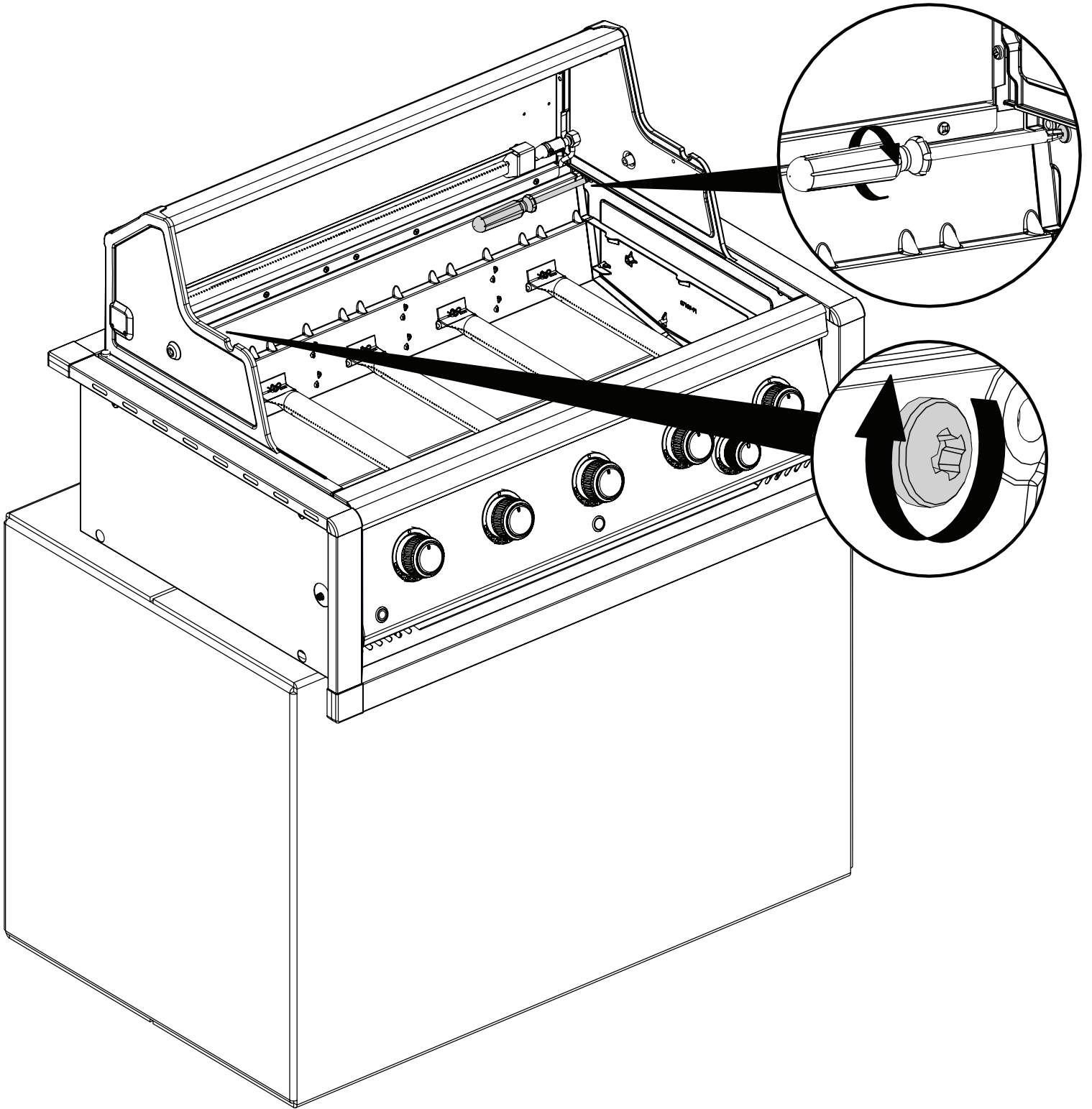


2

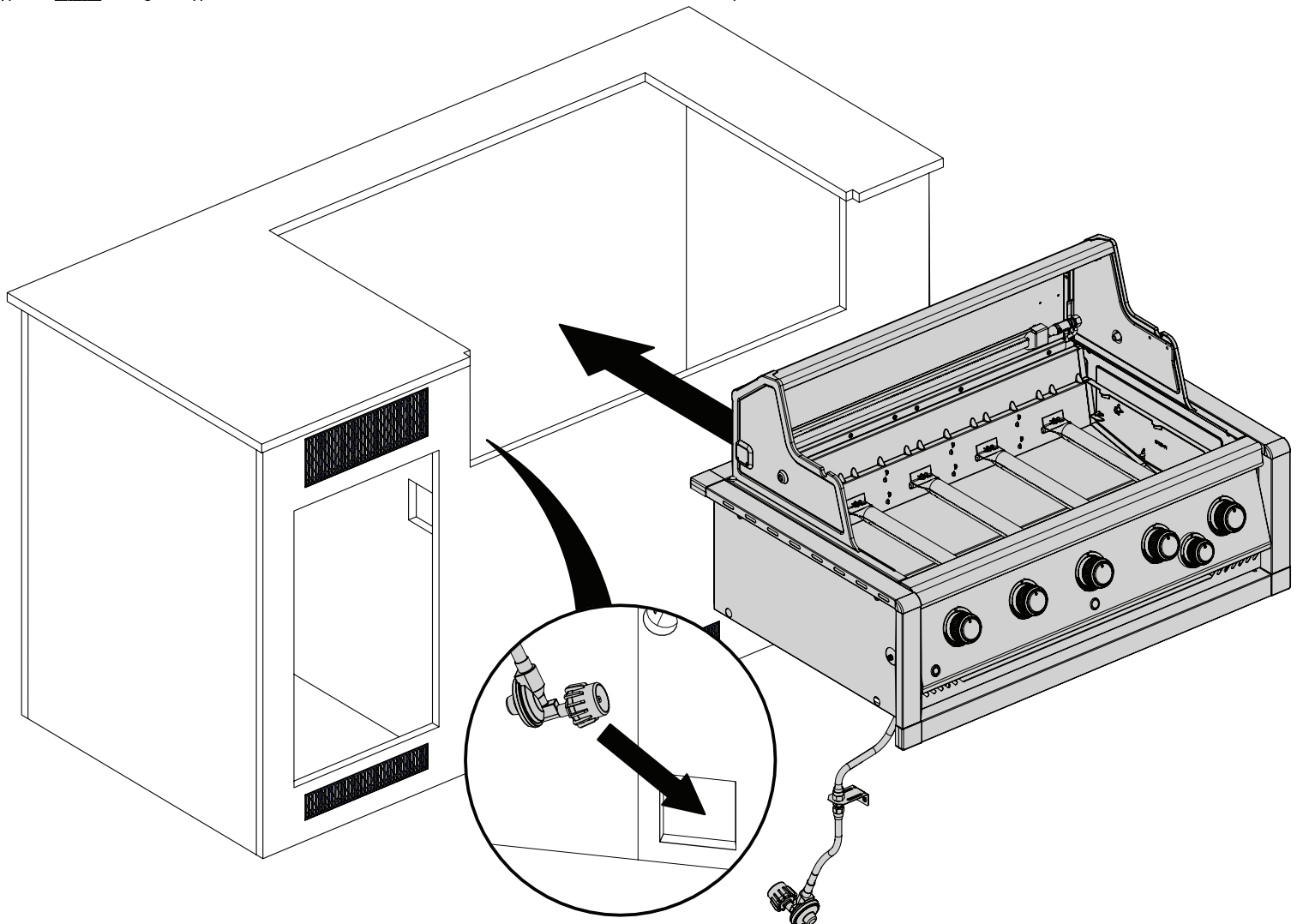
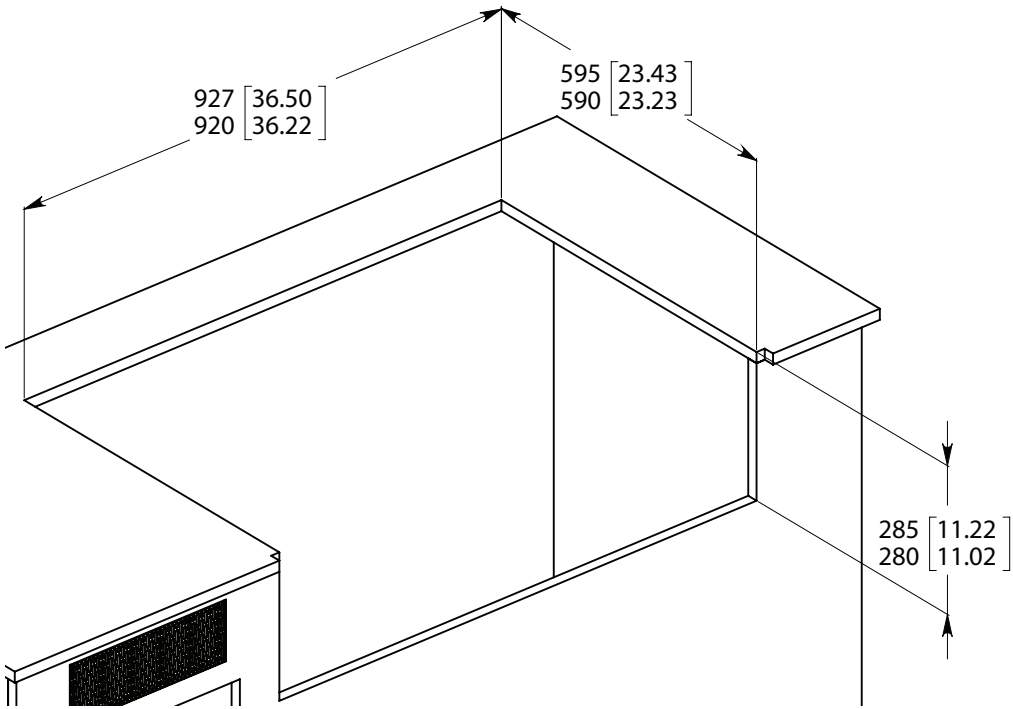
(2) 



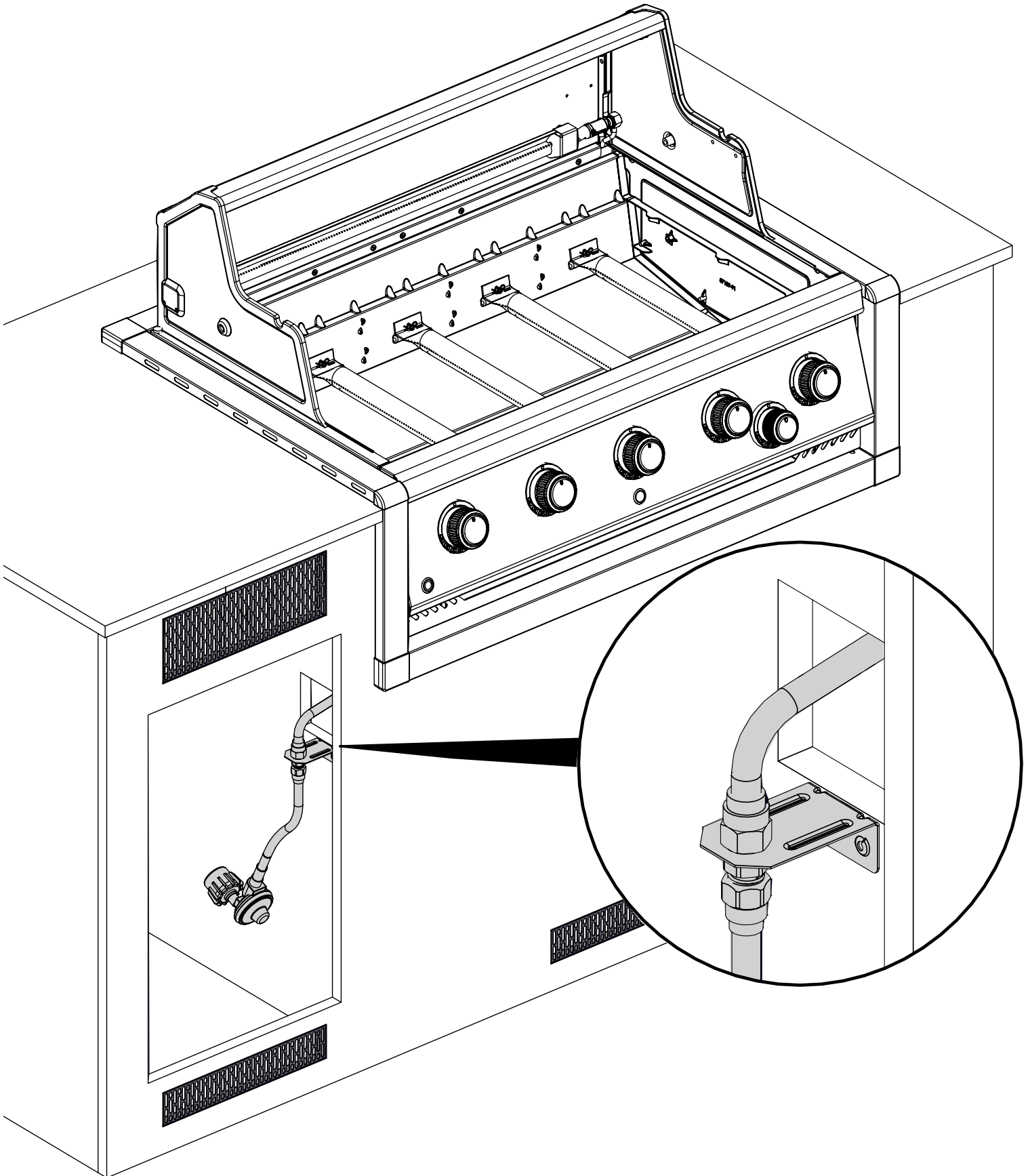
3



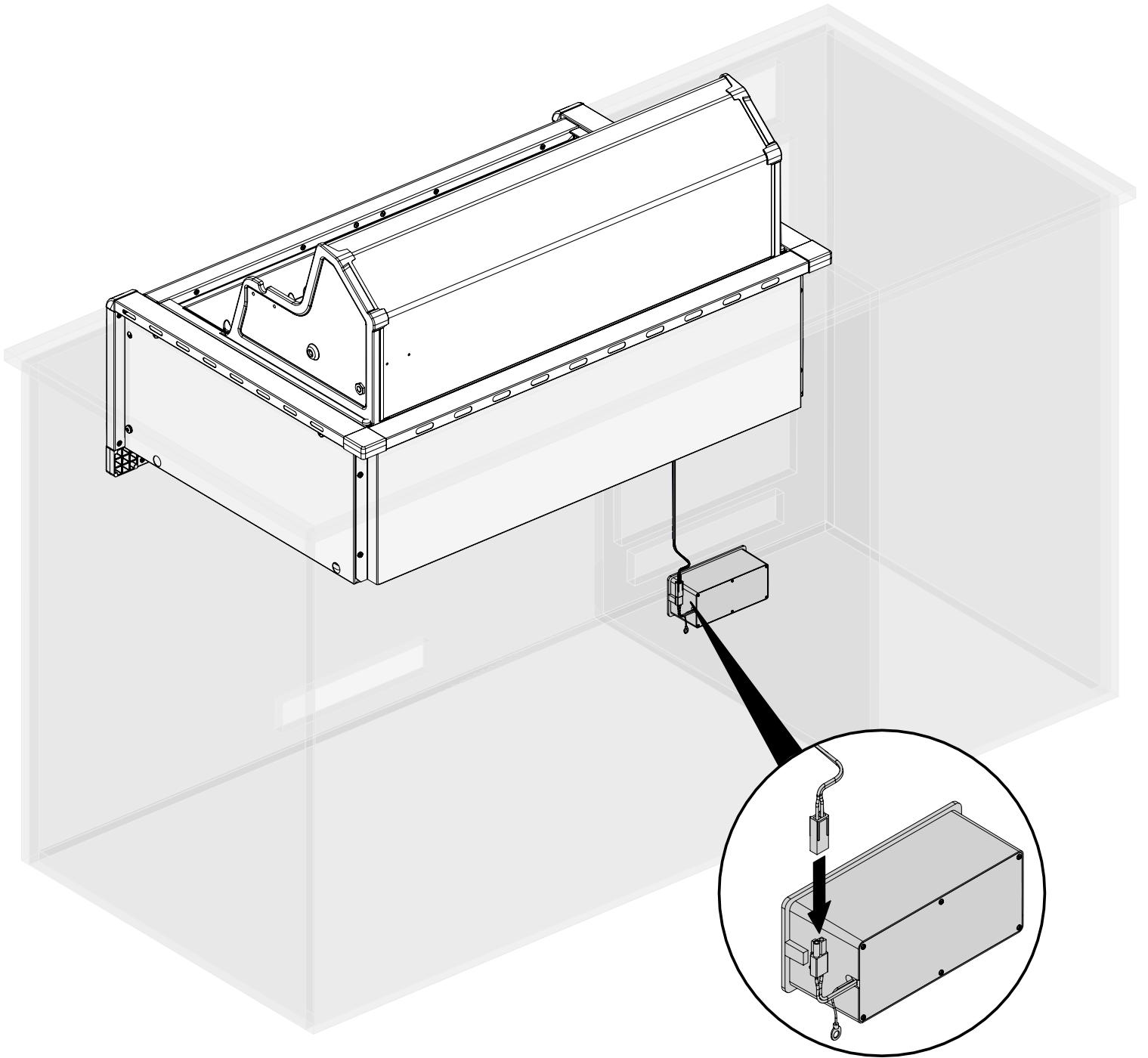
4



5

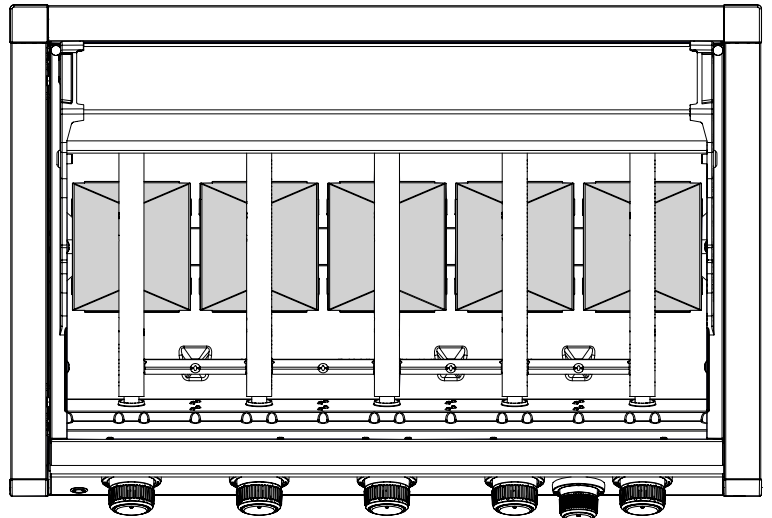
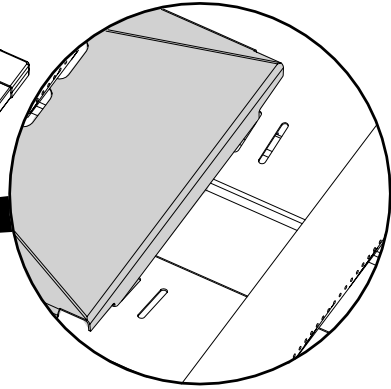
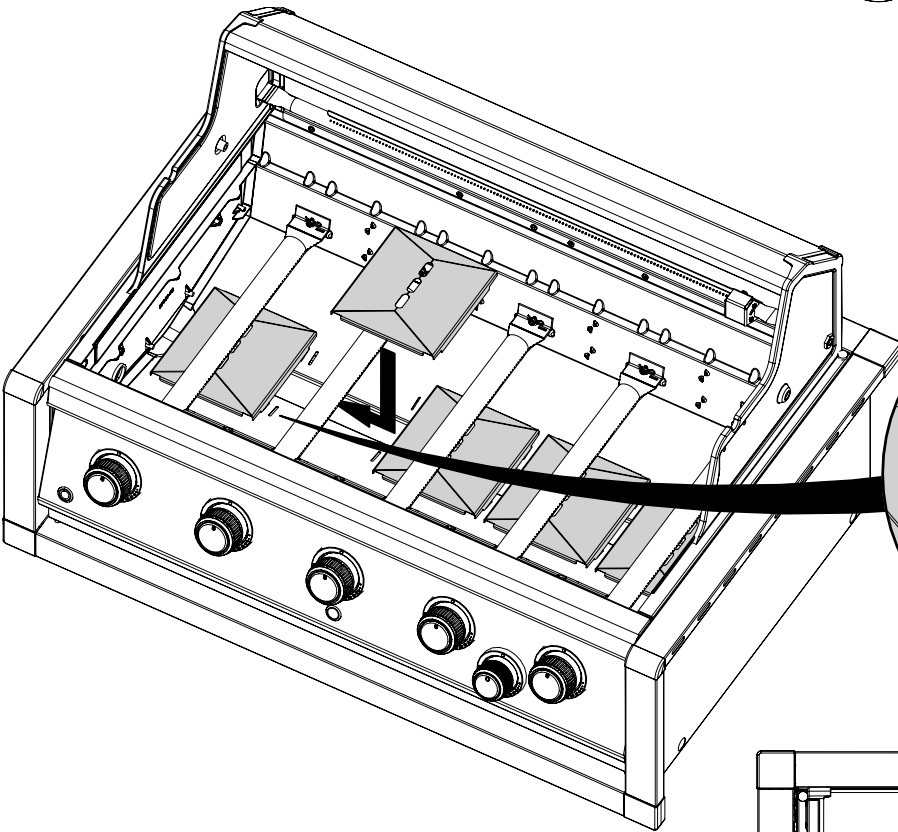
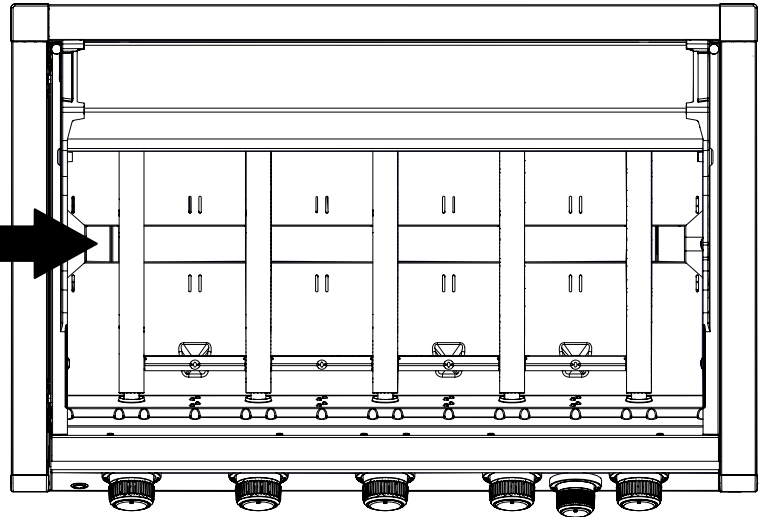
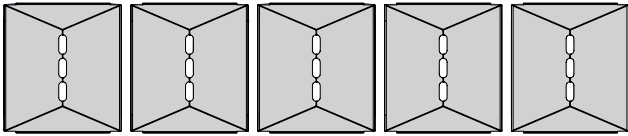


6

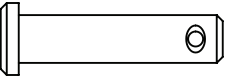
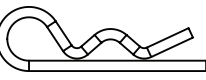


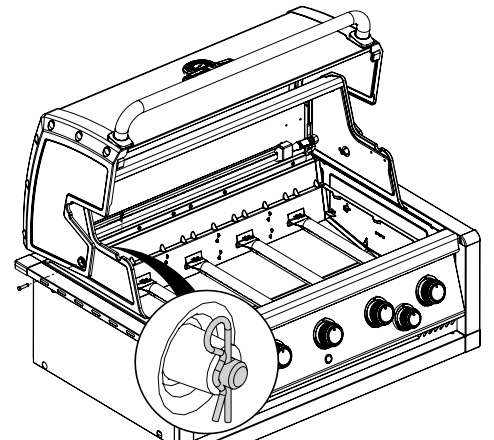
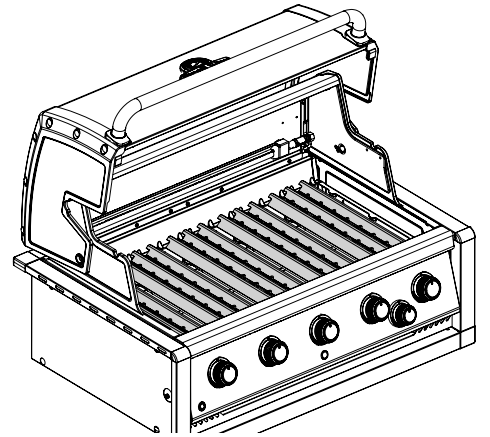
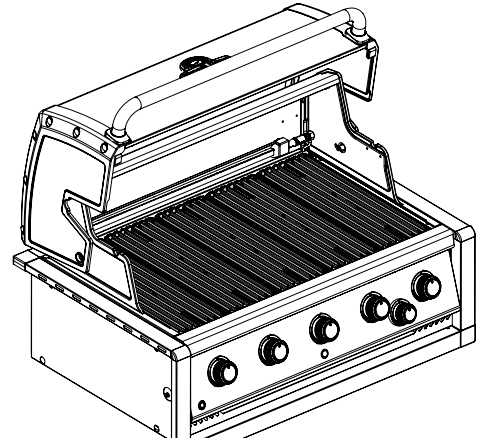
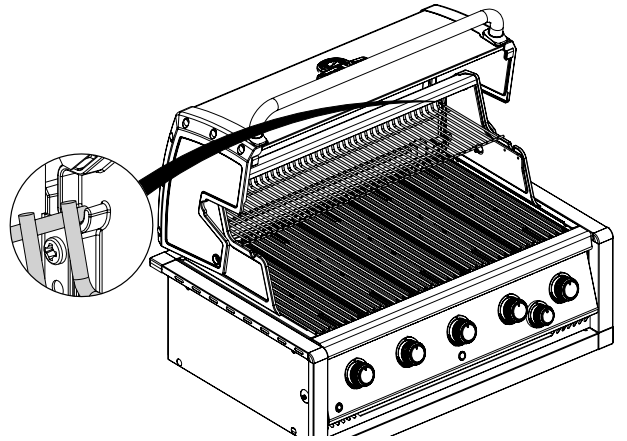
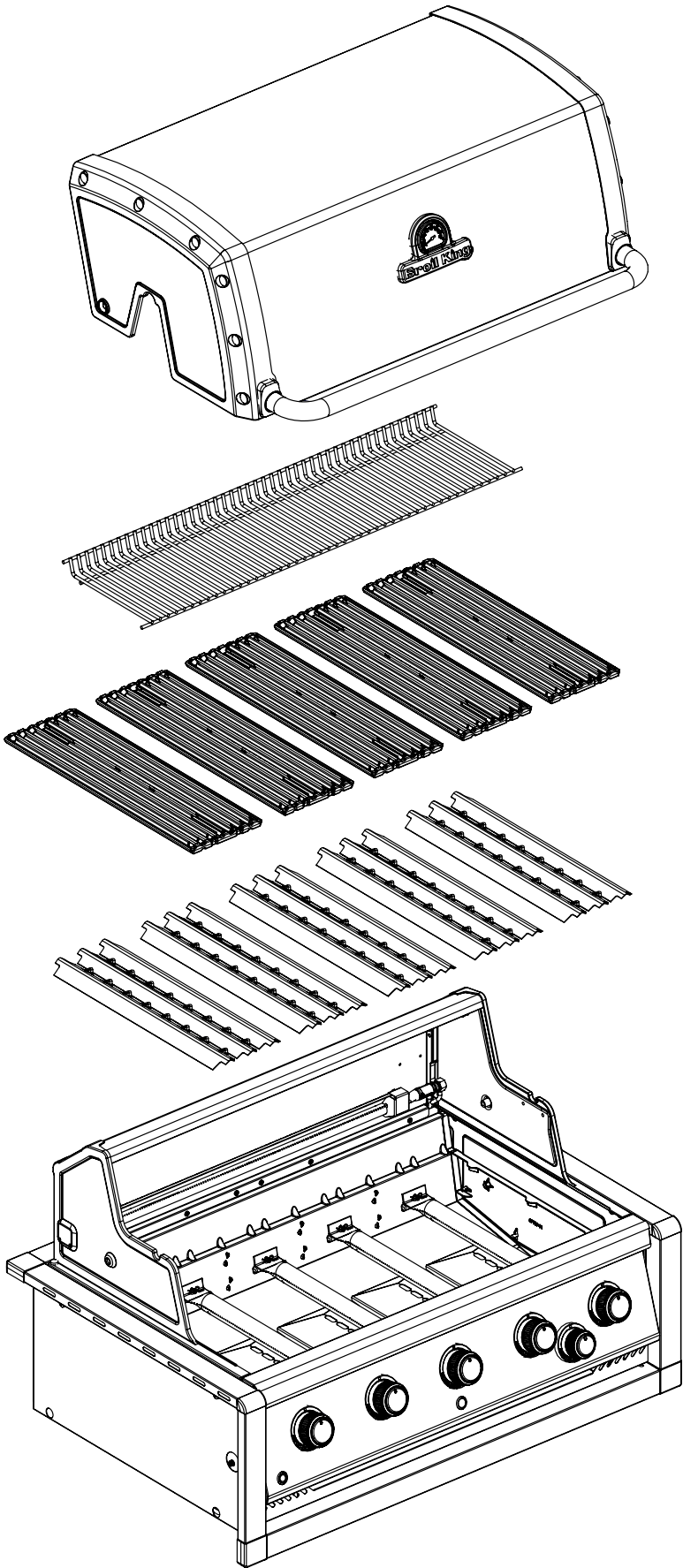


7

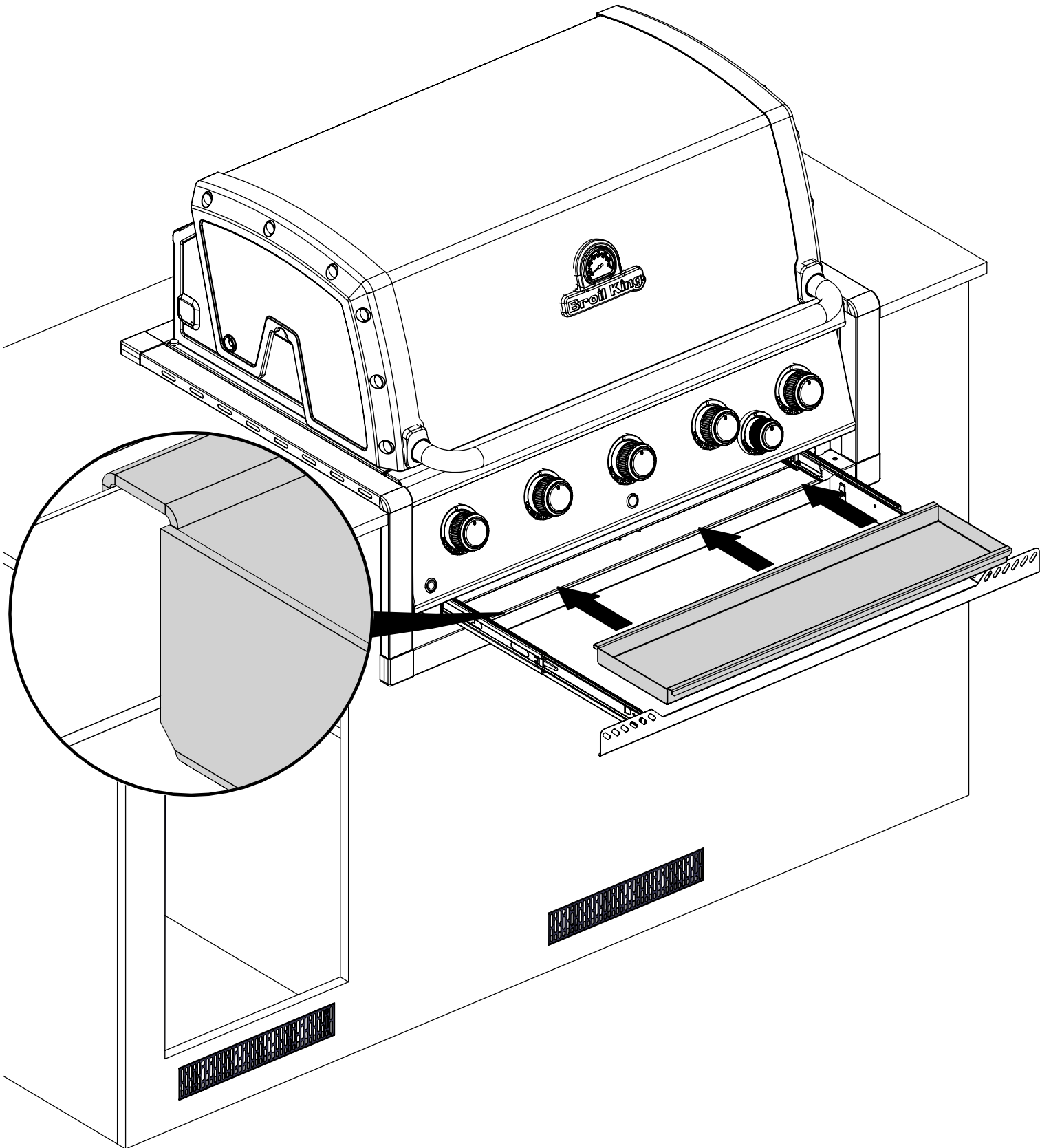


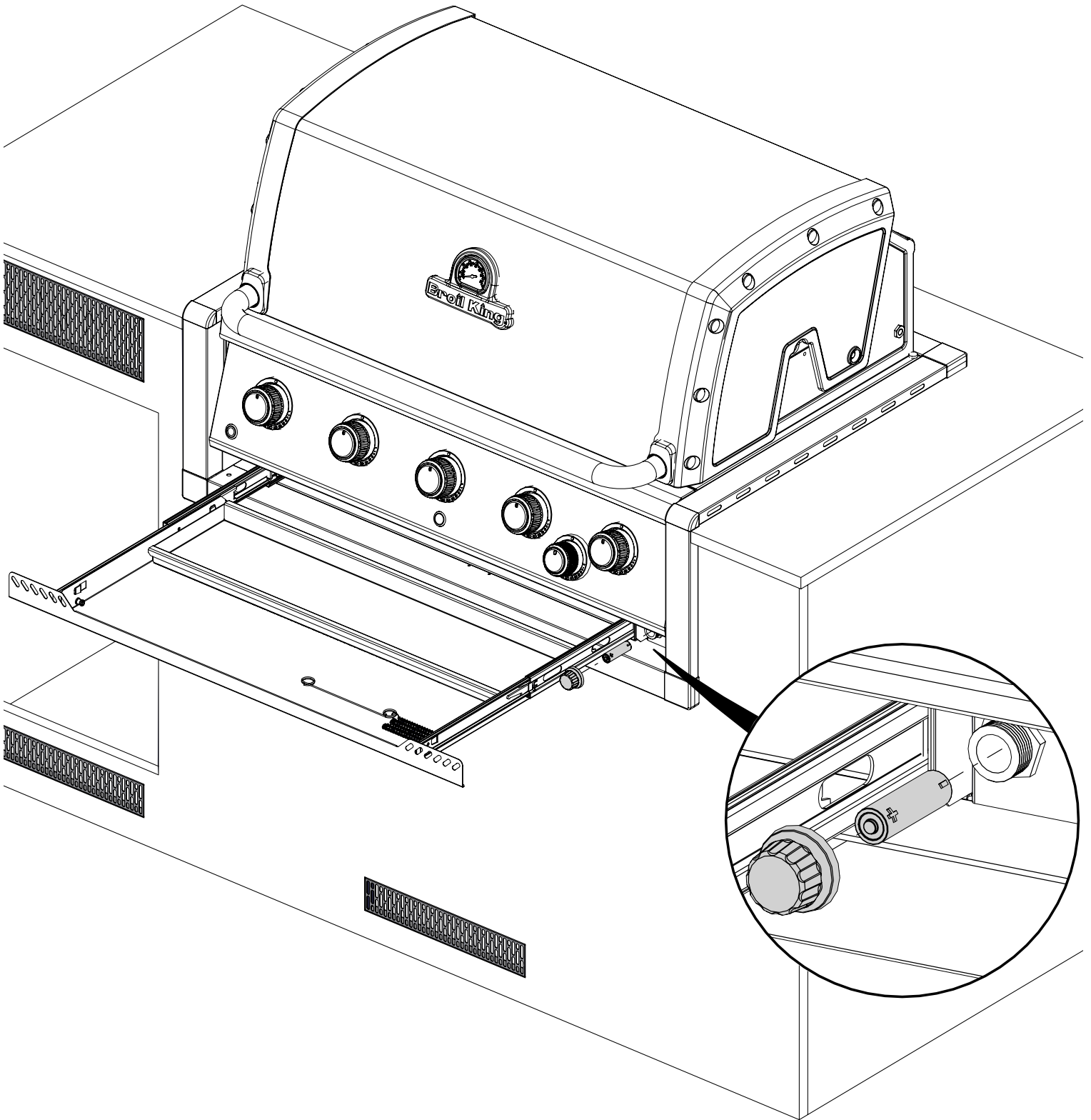
8

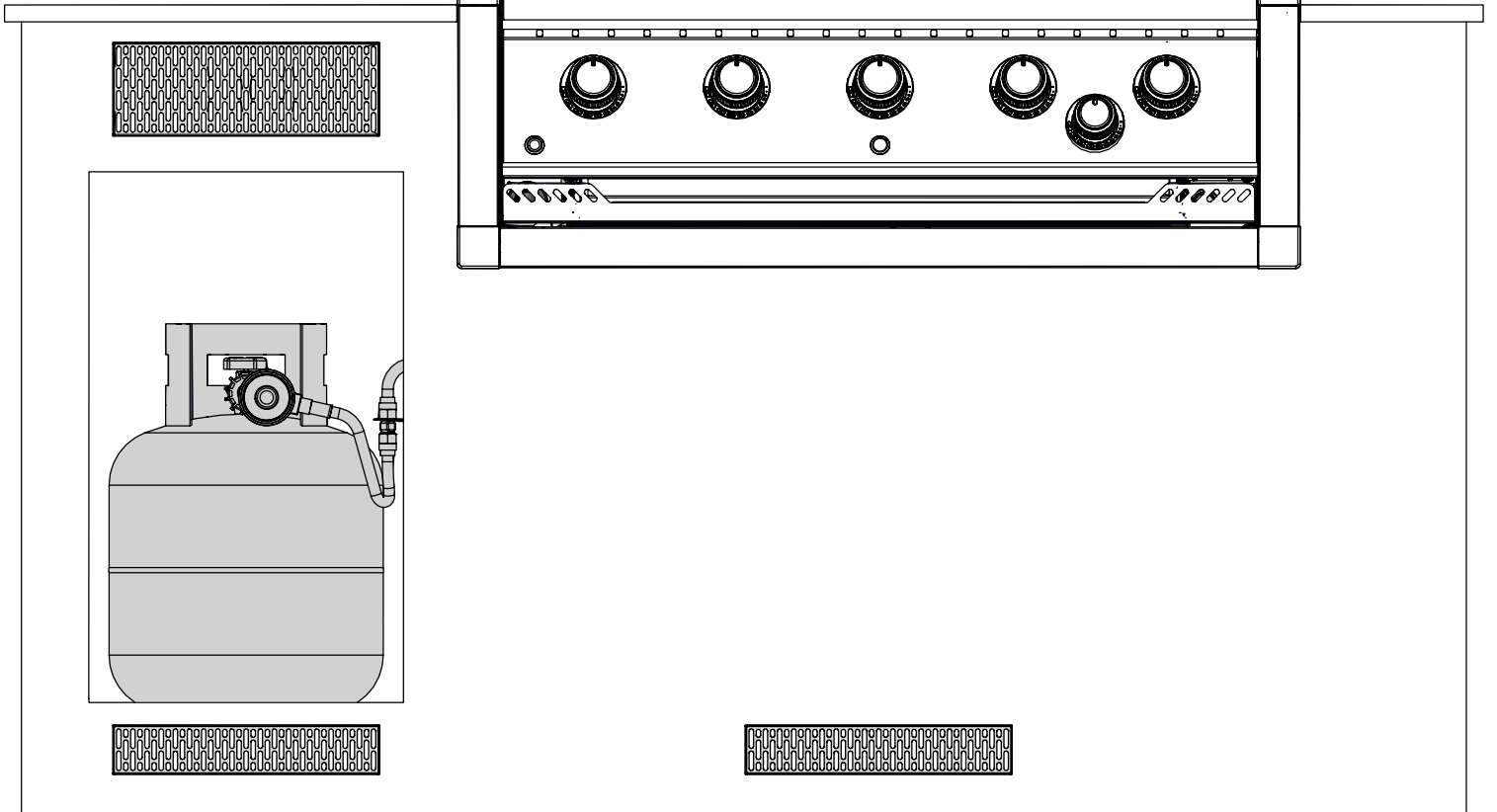
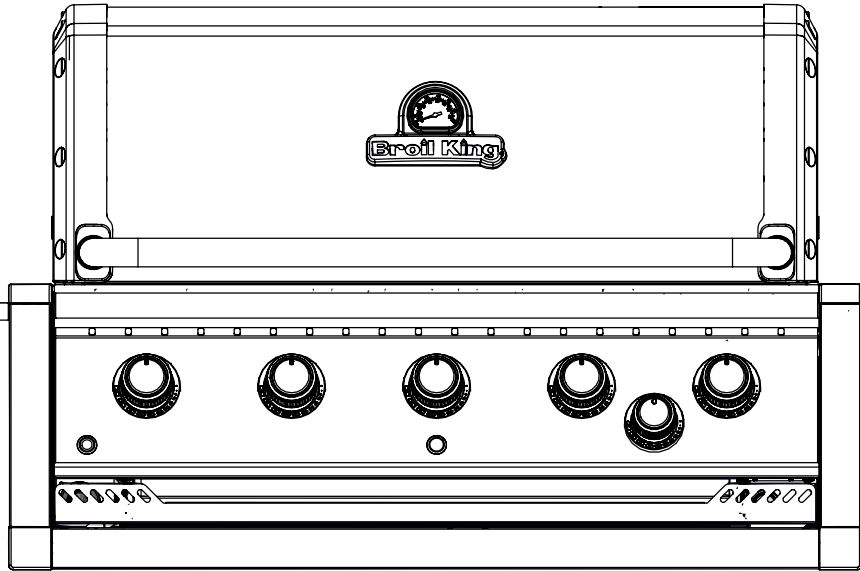
(2)  (2) 



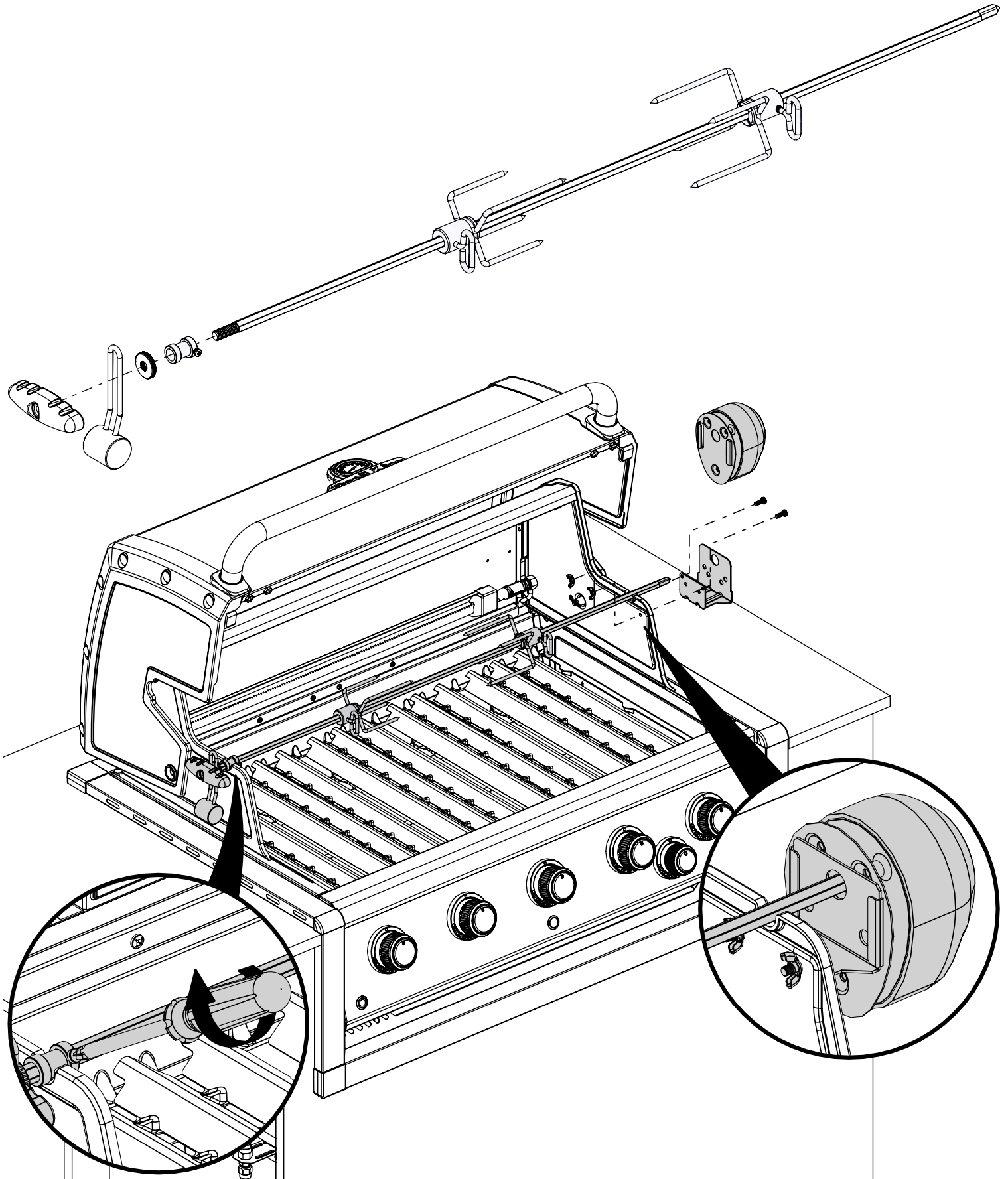
9







# 12



**PARTS LIST**

<u>KEY #</u>	<u>ITEM #</u>	<u>DESCRIPTION</u>	<u>8966-73NZ</u>
1	77006-703	FIRE BOX ASSEMBLY	1
2	86006-301	LID ASSEMBLY	1
5	27249-904	GREASE SHIELD	5
7	Y-11544S	BURNER SCREW	5
8	S21242	BURNER CLIP	5
18	22005-283	COOKING GRID	5
20	22006-992	GRID - WARMING RACK	1
22	22026-903	COLLECTOR BOX	1
25	22909-104E	BURNER	5
26	22001-769	CONTROL KNOB	5
26A	22001-669	CONTROL KNOB	1
27	22002-264	CONTROL BEZEL	5
27A	22001-164	CONTROL BEZEL	1
28	22026-473	CONTROL COVER	1
32	10111-16A	PIG TAIL HOSE ASSEMBLY	2
35	29006-054	CONTROL ASSEMBLY	1
37	20809-957	TUBE-REAR BURNER ASSY	1
38	Y-11990	HEX NUT	1
40	10111-HR06	HOSE AND REGULATOR	1
43	10342-E13	ELECTRODE	1
43A	10342-E22	ELECTRODE	1
43B	10342-E38	ELECTRODE	1
44	10342-44	ELECTRONIC IGNITOR	1
44A	25070-927	IGNITOR WIRE	1
44B	25070-93	IGNITOR BUTTON	1
45	72039-903	IGNITOR BRACKET	1
46	72049-603	IGNITOR SHIELD	1
47	71209-033	TRIM FRONT SIDE	2
48	72056-007	GREASE PAN	1
49	71066-003RA	DRAWER	1
51	22009-103	FLAV-R-WAVE ®	5
56	24006-12A	HANDLE	1
58	54009-936	HANDLE STANDOFF	2
59	10081-BK630	NAMEPLATE	1
60	10571-6	HEAT INDICATOR	1
65	25005-000	MATCH LIGHT	1
74	Y-99101	DRAWER SLIDE	2
80	71109-033R	TRIM SIDE - LH	1
81	71109-043R	TRIM SIDE - RH	1
84	70206-013	TRIM FRONT	1
88	71306-023	TRIM REAR	1
90	71626-003	BASE	1
101	Y-12130	CORNER CAP - 90 DEGREE	4
102	Y-12131	CORNER CAP	2
130	27906-354	REAR BURNER	1
131	10693-109	REAR BURNER ORIFICE	1
133	S15271	HANDLE	1
134	S15270	BALANCER	1
135	S15299	WASHER	1
136	S15263	BUSHING	1
137	S15259	SPIT ROD	1

**PARTS LIST**

<b><u>KEY #</u></b>	<b><u>ITEM #</u></b>	<b><u>DESCRIPTION</u></b>	<b><u>8966-73NZ</u></b>
138	S15287	4 PRONG FORKS	2
139	57039-901	ROTISSERIE BRACKET	1
141	Y-11559	SCREW - 1/4-20 X 3/4	2
142	S21127S	SCREW - #8-32 X 3/8	12
145	S21235	HINGE PIN	2
146	S21233	HITCH PIN CLIP	2
147	Y-11236	LID BUMPER	2
155	S21124	SCREW #8 X 1/2	4
157	Y-12835	SCREW #6-32 X 1/4	2
161	Y-29304	SCREW - #10-24 X 3/8	14
162	S35095	SCREW #10-24 X 5/8	2
167	Y-29301	SCREW - #10-24 X 1/2	12
169	S21061	WING NUT	2
171	S15247	MOTOR	1
172	S15508	ELECTRODE	1
173	S21362	SPRING	1
181	25070-91	LIGHT SWITCH WIRE	1
181A	25070-95	LIGHT SWITCH BUTTON	1
182	25020-71	OVEN LIGHT	2
183	20589-AU	TRANSFORMER PLUG	1
184	20589-90U	TRANSFORMER	1
185	25030-72	OVEN LIGHT WIRE	1
188	Y-12865	SCREW 1/4-20 X 1/2	16
190	25020-84	WIRE - LED LIGHT	1
191	25020-83	WIRE - LED LIGHT	1
193	SP11-25	LID BUMPER	2





