

Broil King®

ASSEMBLY MANUAL & PARTS LIST • MANUEL DE MONTAGE & LISTE DE PIÈCES • MANUAL DE ARMADO Y LISTA DE PARTES



BARON 420
9221-54
9221-57



BARON S420
9225-54
9225-57



BARON 440
9221-64
9221-67



BARON S440
9225-64
9225-67

RETAIN FOR FUTURE REFERENCE • VEUILLEZ CONSERVER POUR REFERENCE ULTERIEURE • CONSERVAR PARA FUTURAS CONSULTAS

Onward
MANUFACTURING COMPANY

SINCE 1906
1000 EAST MARKET STREET
HUNTINGTON, INDIANA, 46750, USA

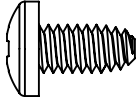

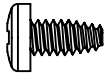
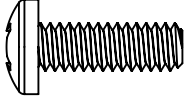
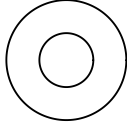
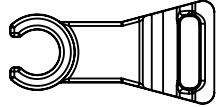
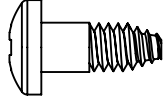
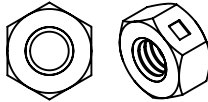
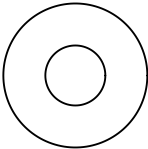
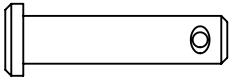
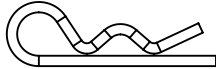
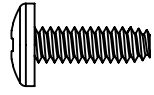
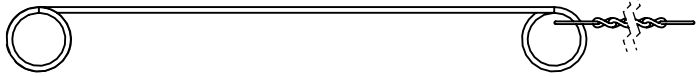
1-800-265-2150
info@omcbbq.com

50084-S45 Rev S 01/17



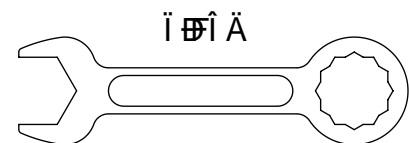
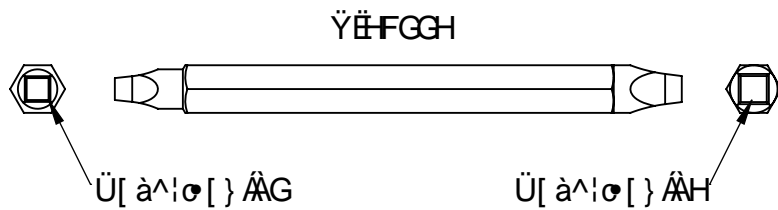
POËJÖY OEÛÒÁÐ ÔŠWÖÖÖÄÄT OE/ÖÜ OEŠÁÐ ÔŠWÜÄÄÖÛWÖUÜÄÐ ÔŠWÖÜ



YËG Î Í 	YËG ÛGFFG 	YËG YËGJHE 	YËG
YËGFÆ 	YËG YËG Î Î 	YËG YËGFG 	YËG
YËFÍ Î Î 	YËG YËFÍ J Í 	YËG ÛGFG Í 	YËG
ÛGFGH 	YËG ÛGFGH 	YËG	
ÛH Æ J 	YËG GEEÉ Í EEE 	YËG	YËG

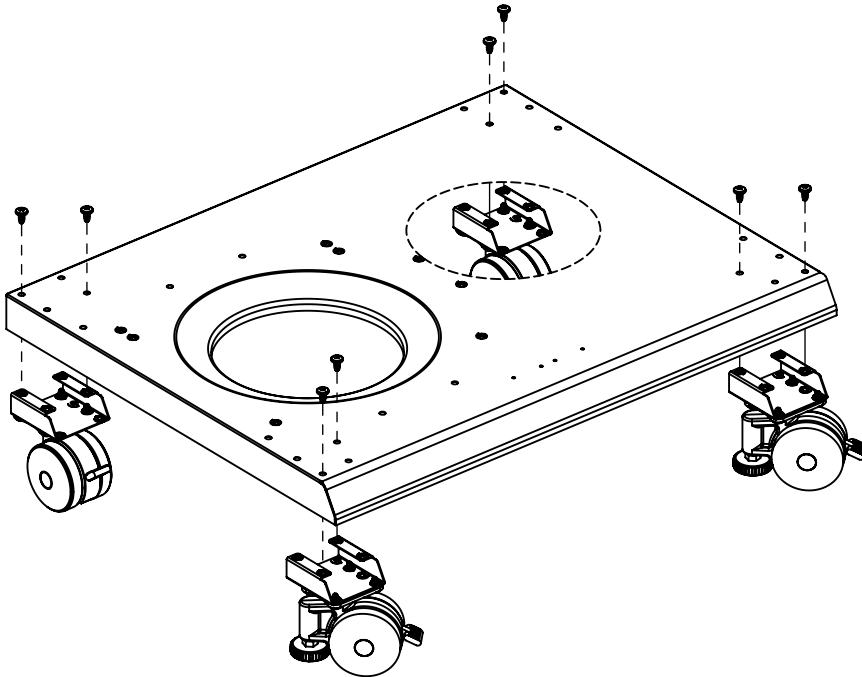
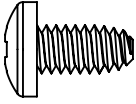


VUUŠÜÄJÖÜWÖÖÖÄÄWWSÜÄPÖÖÜÜÖÜÖÜÄÄPÖÜÜCEPÖPVOËÄPÖÖÜÜÖÜÖÜ

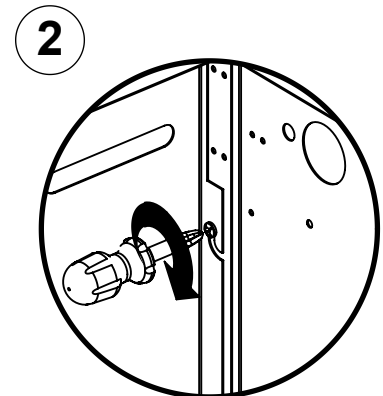
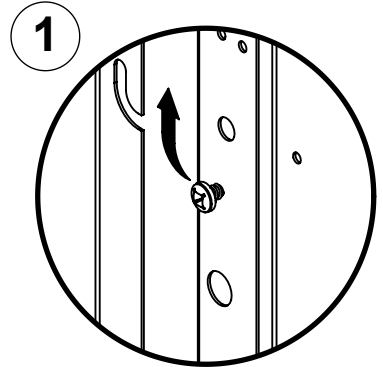
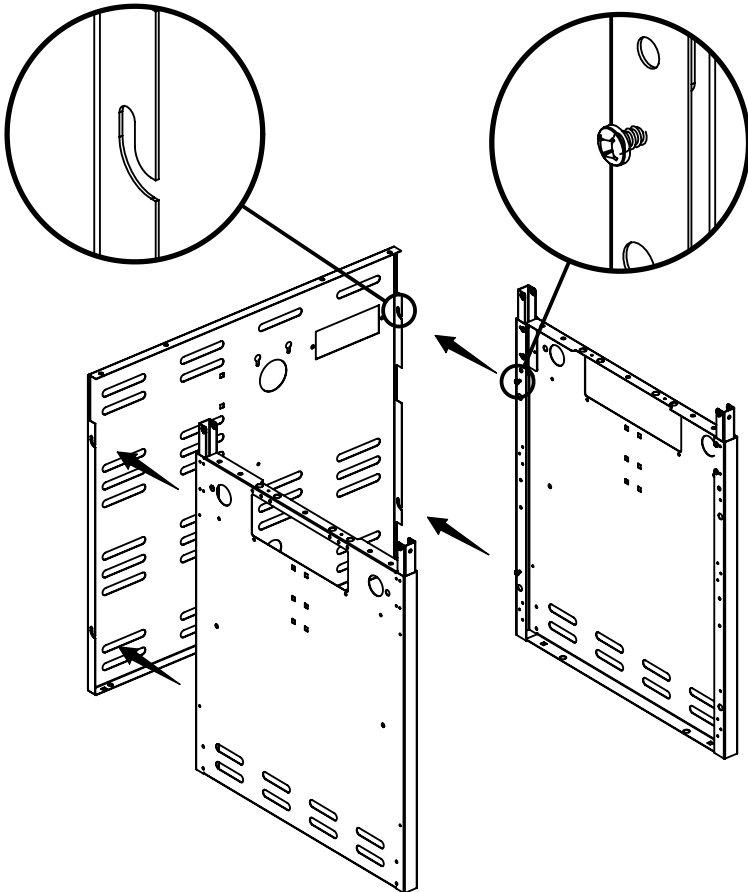


1

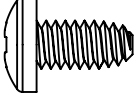
(8)

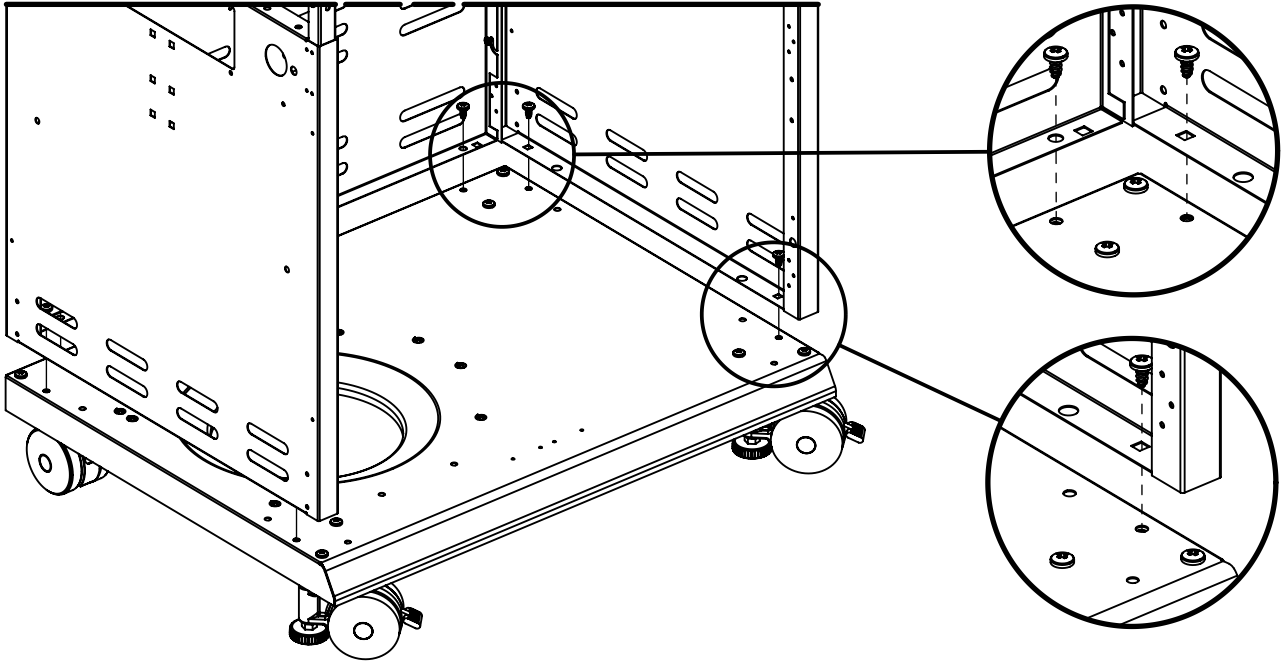


2

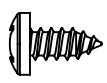


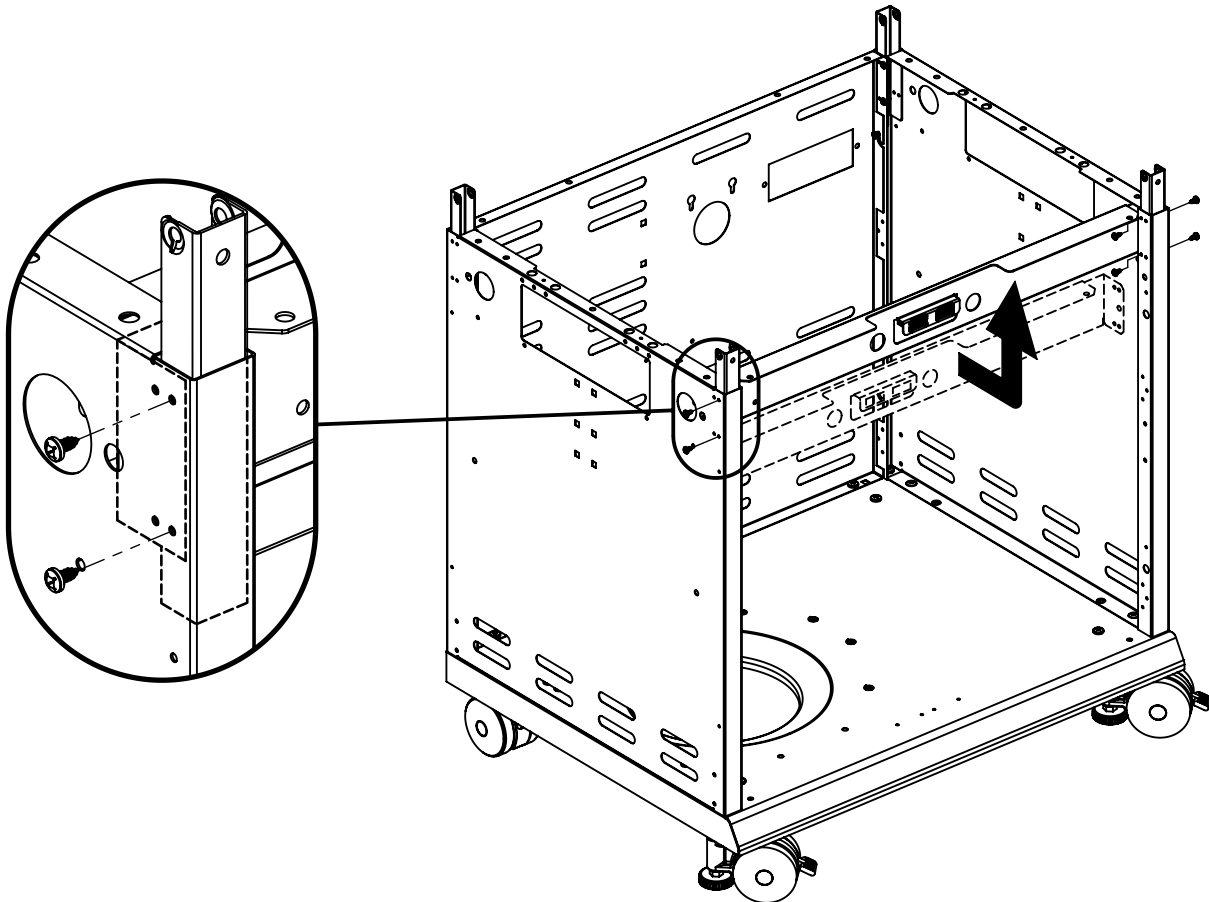
3

(6) 




4

(4) 



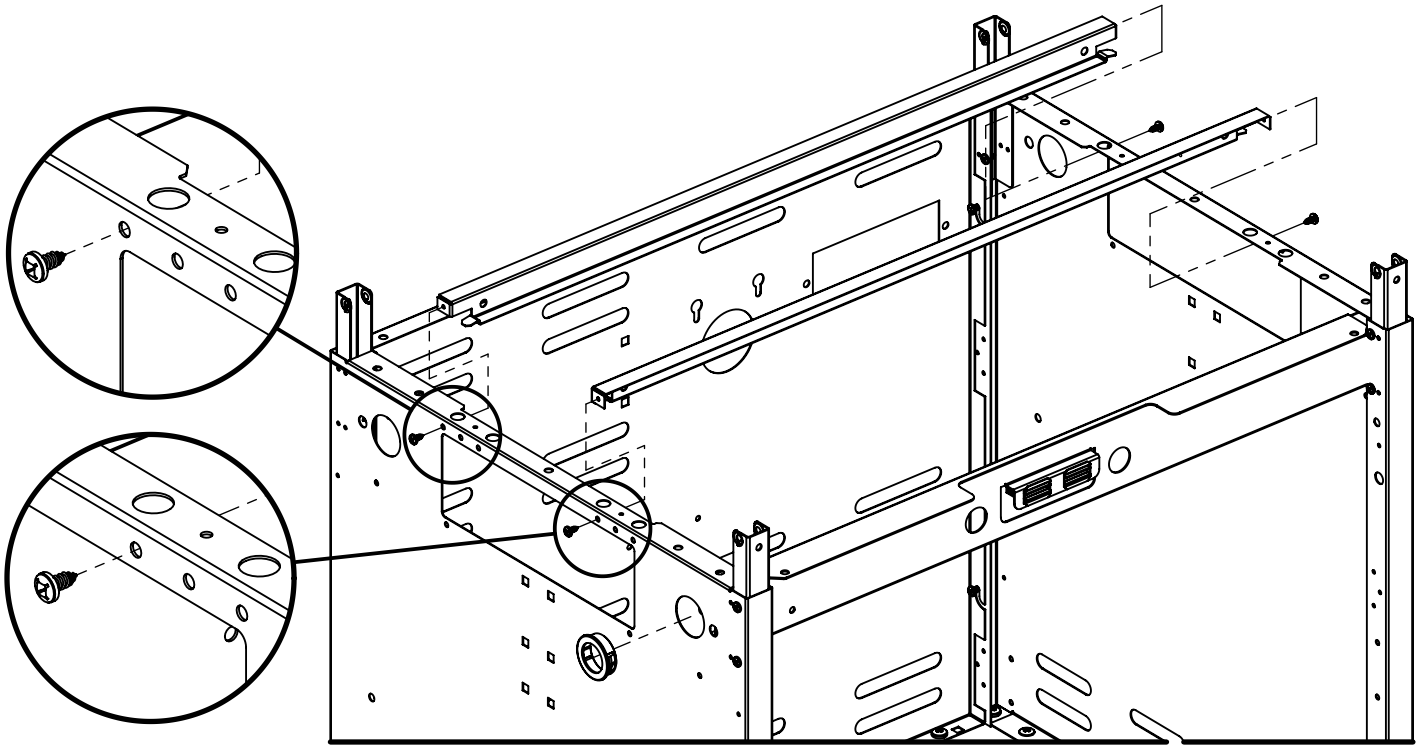
5

(4) 

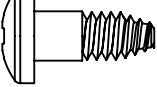
(1) 



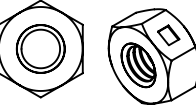
9221-64/67
9225-64/67

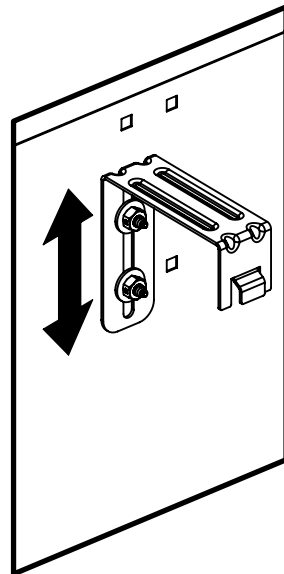
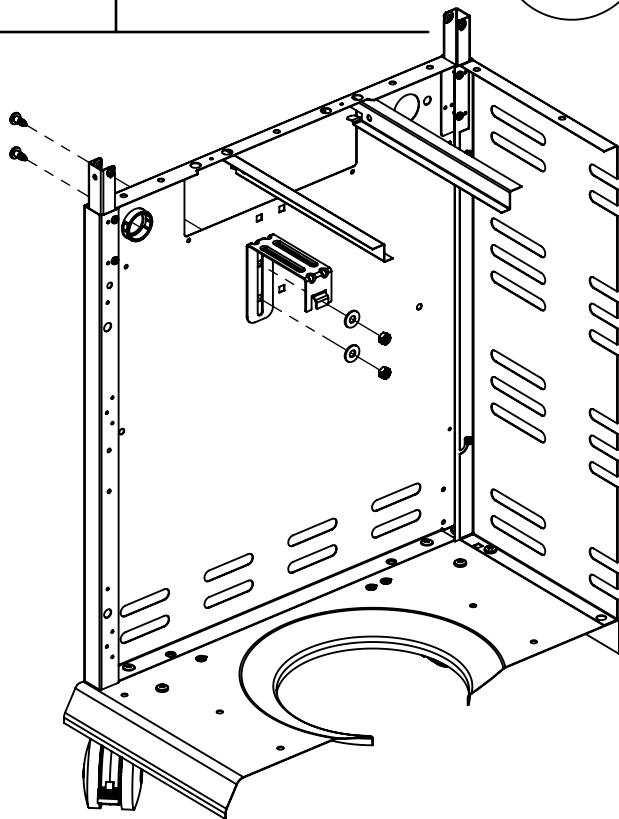


6

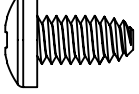
(2) 

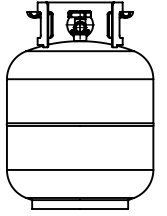
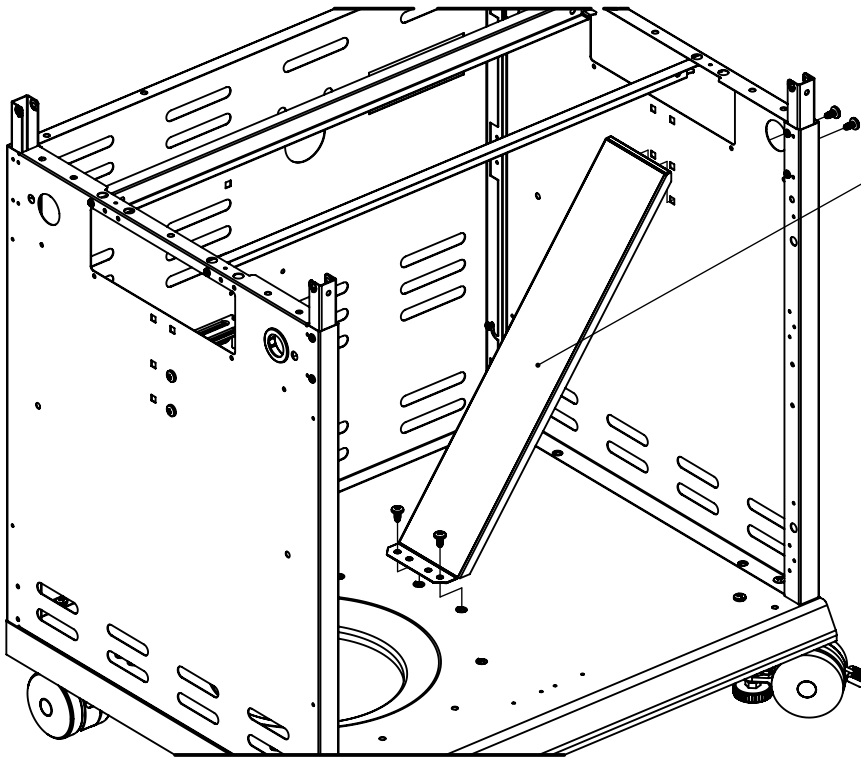
(2) 

(2) 



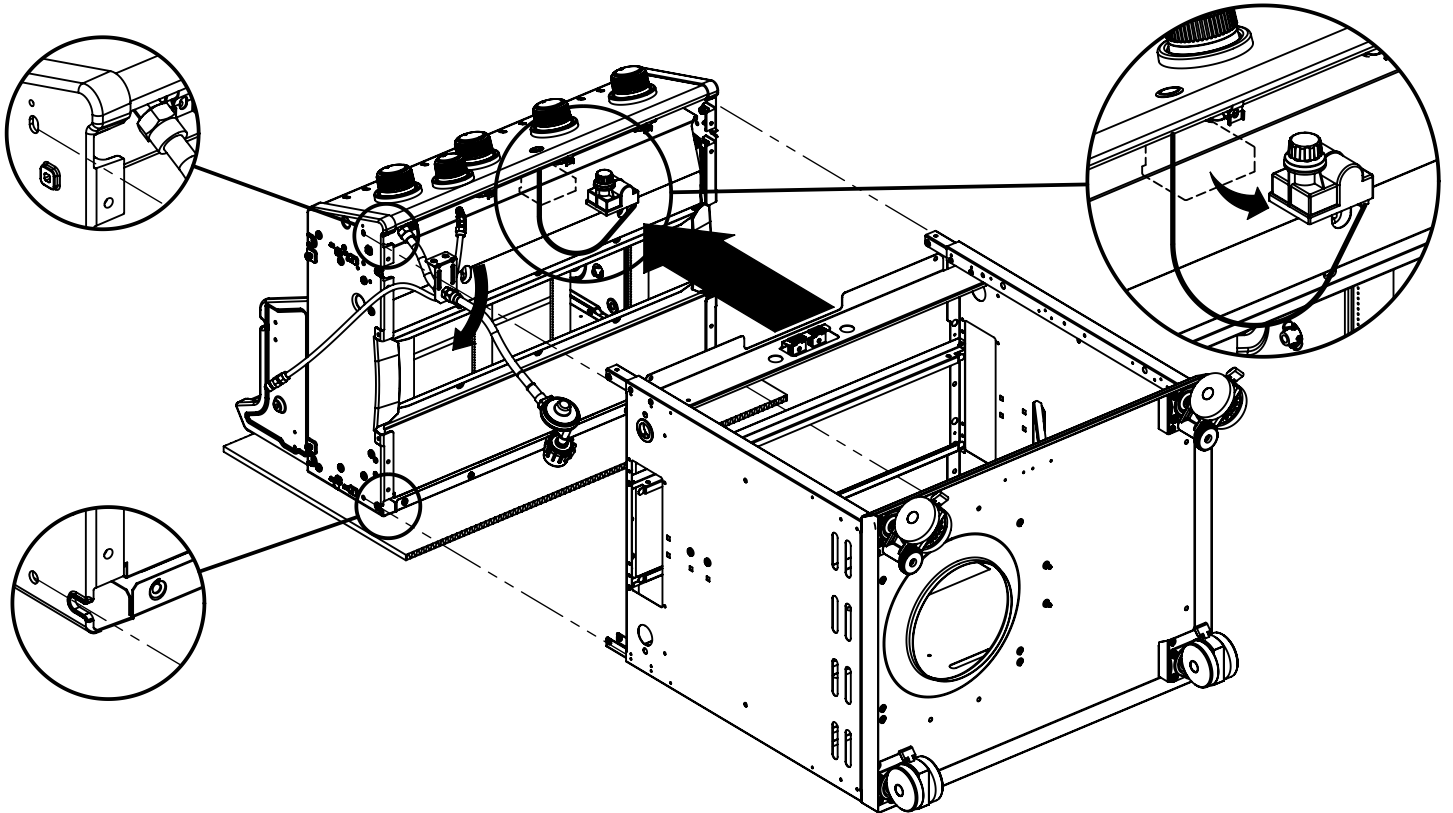
7

(4) 

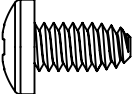


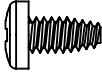
9221-54
9221-64
9225-54
9225-64

8

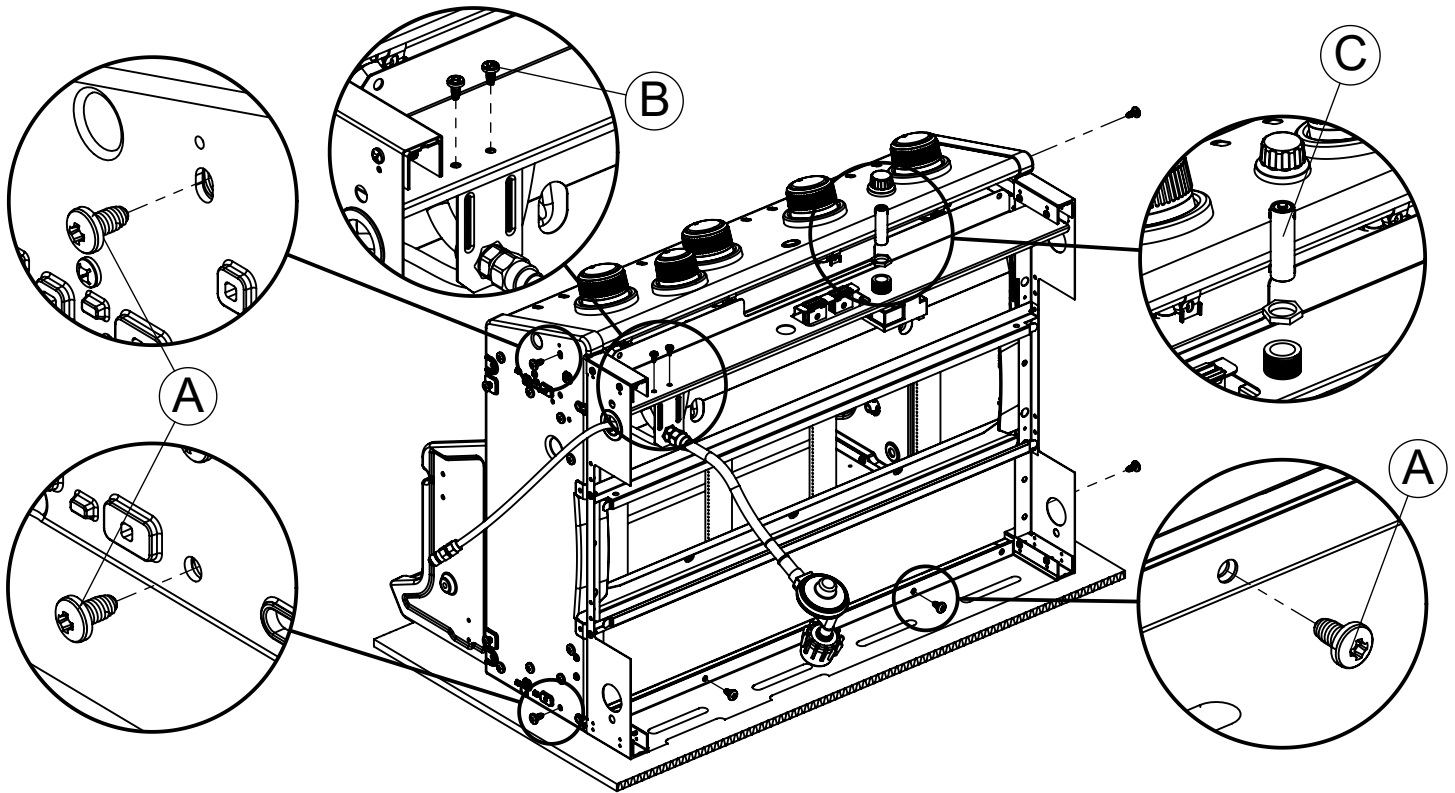


9

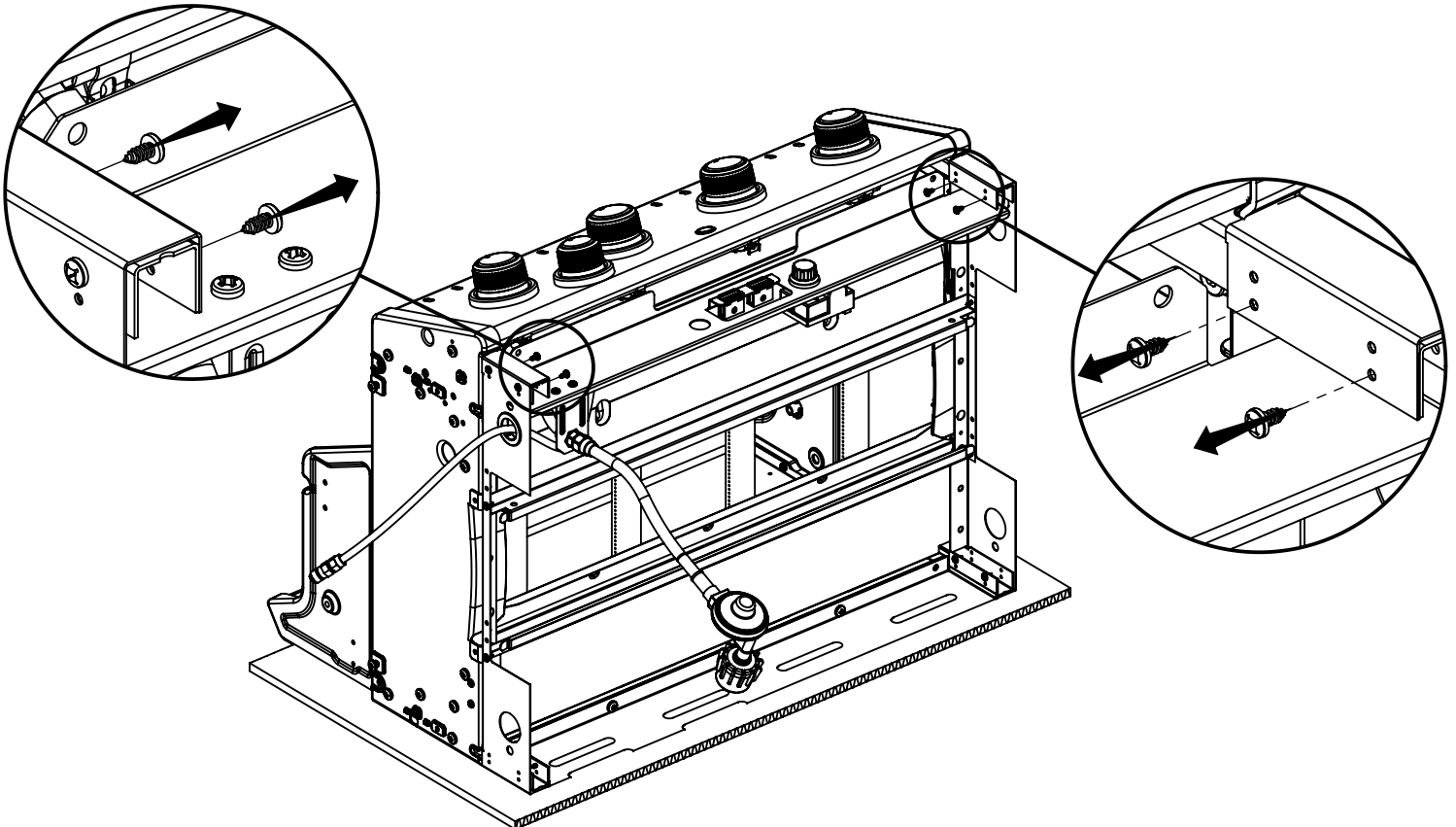
(6)  A

(2)  B

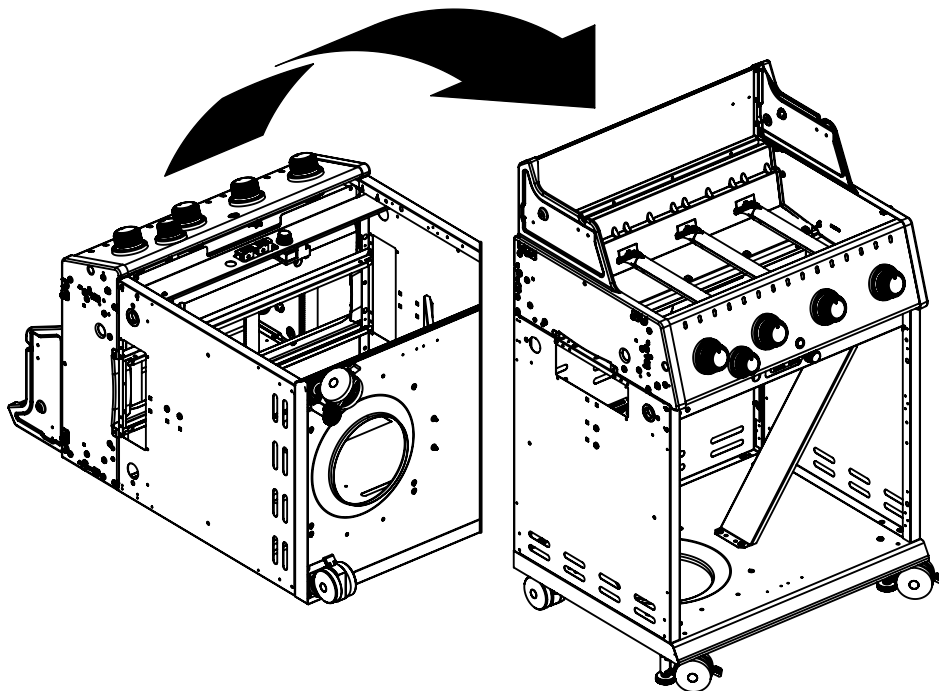
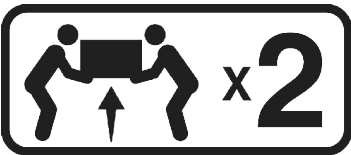
(1)  C



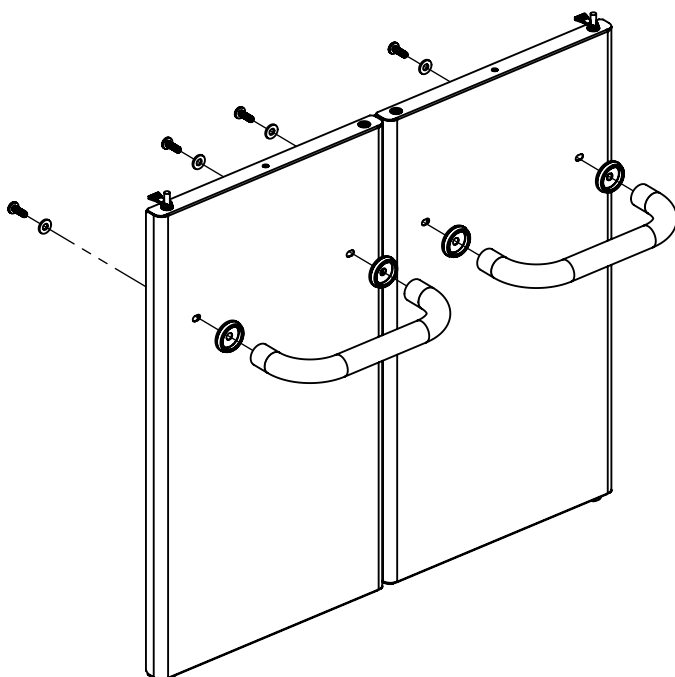
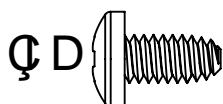
10



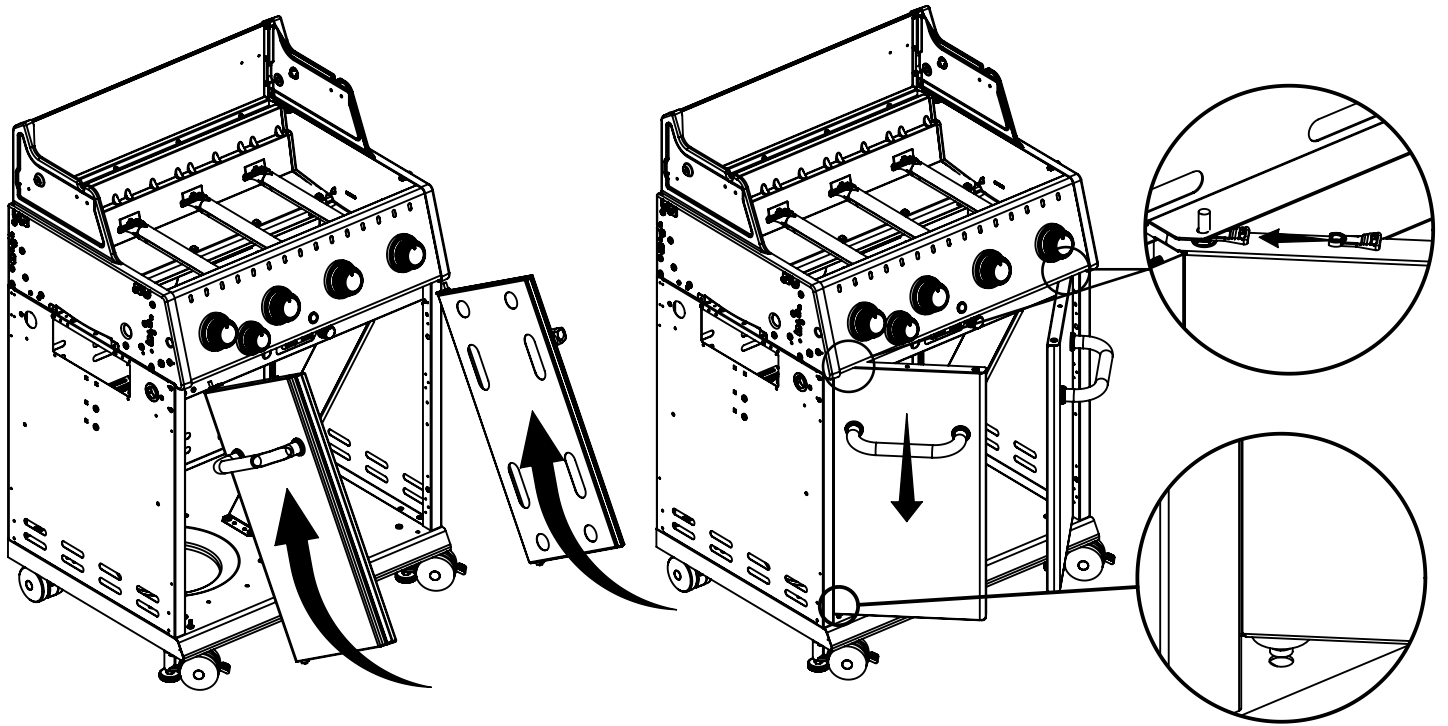
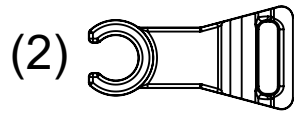
%%



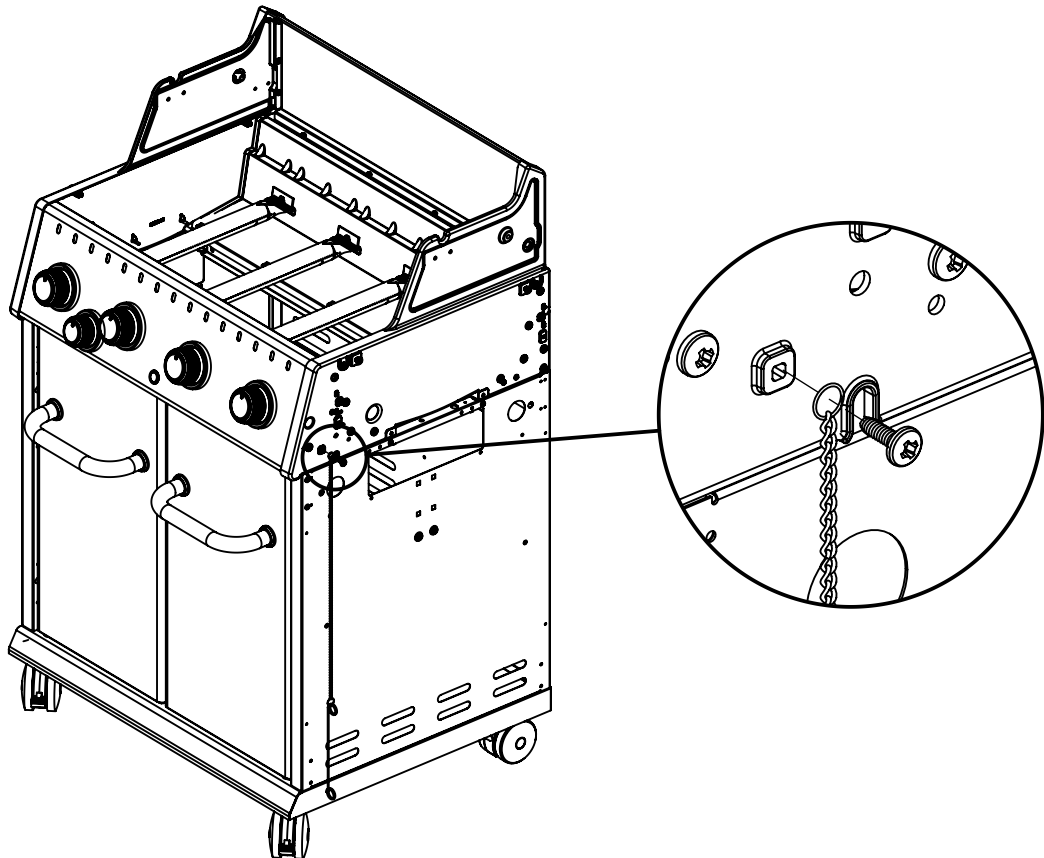
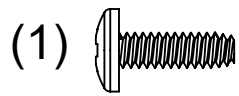
%&



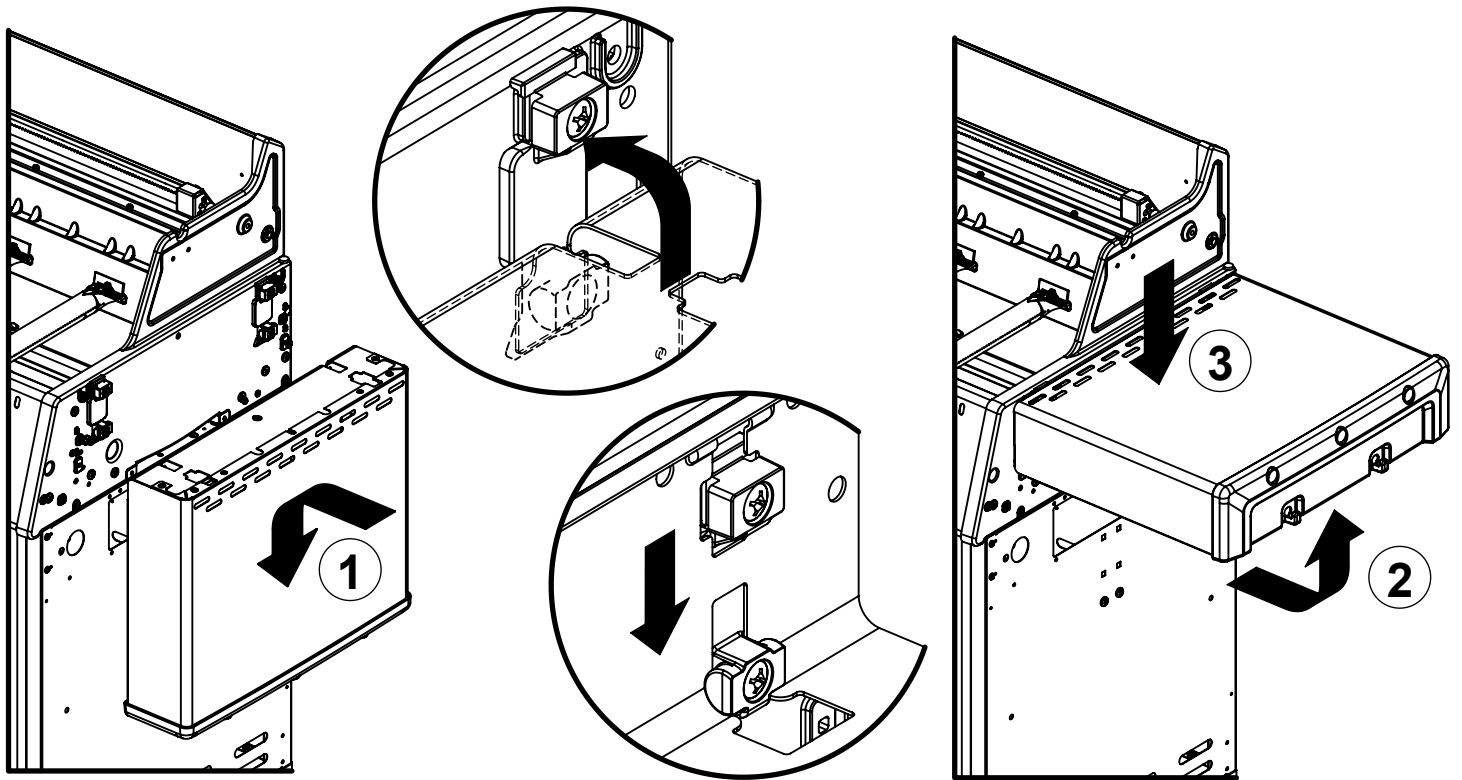
13



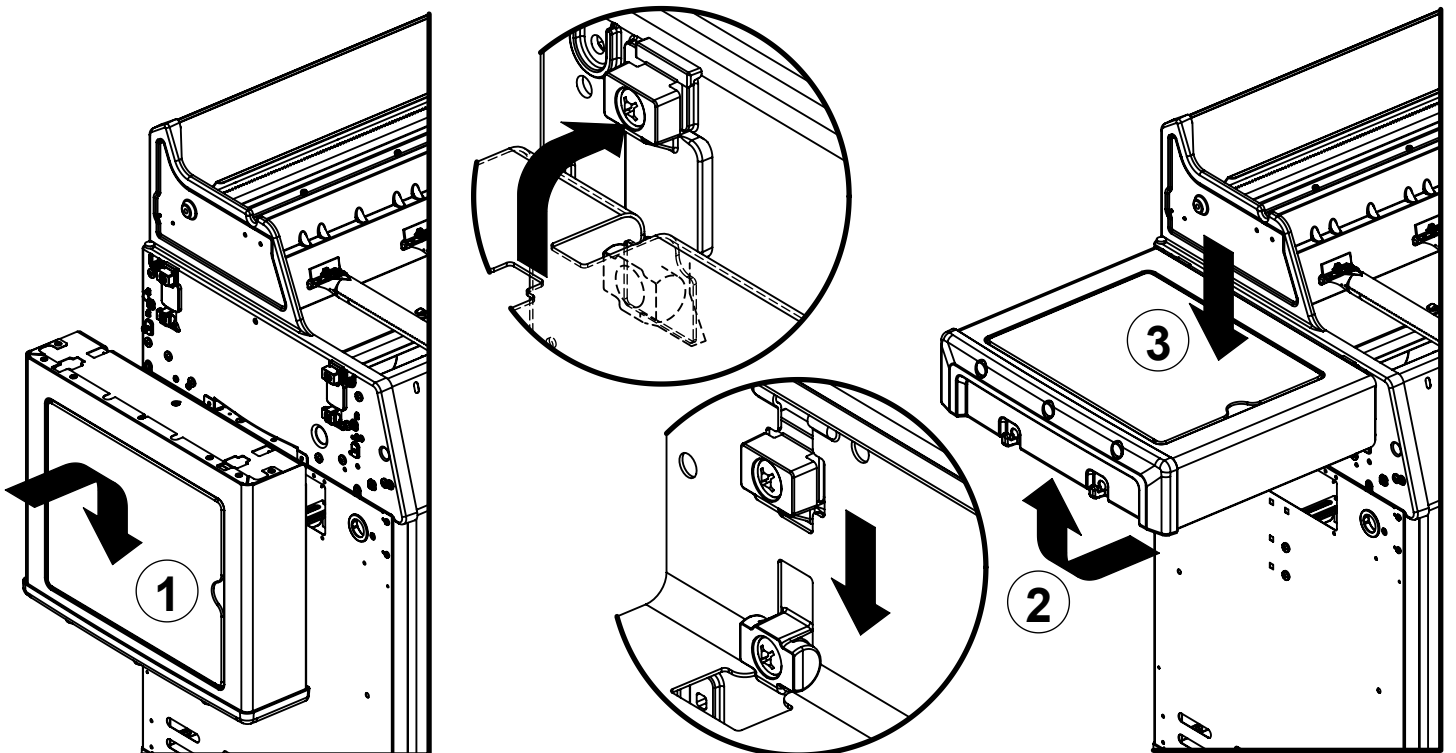
14



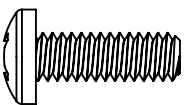
15

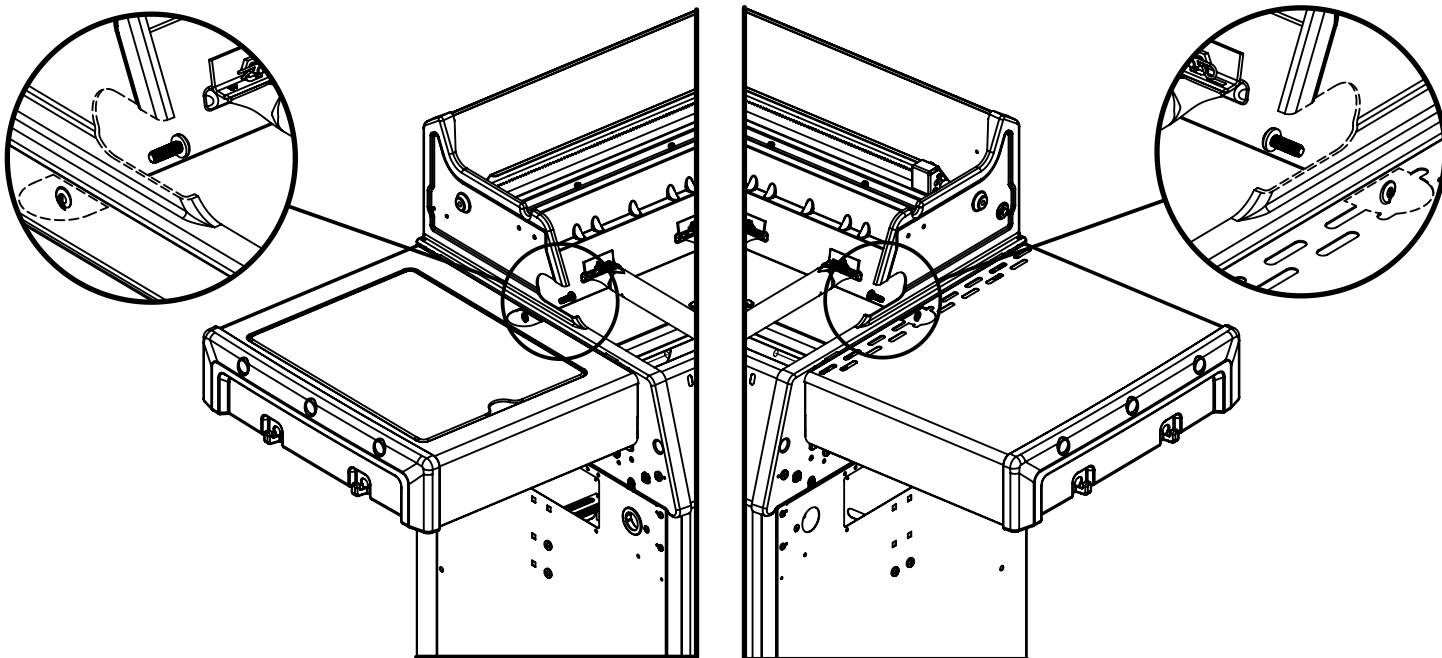


16

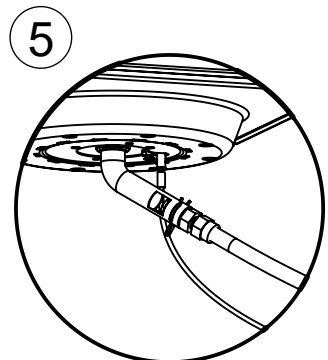
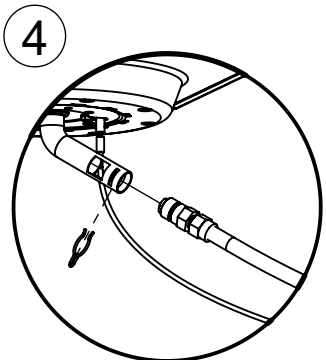
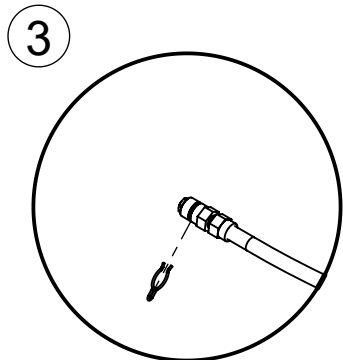
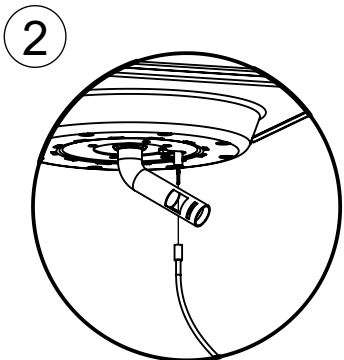
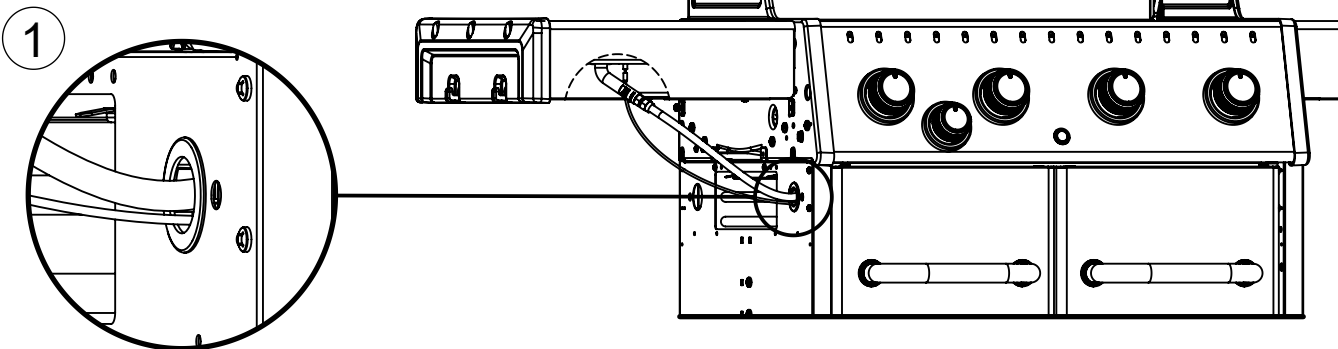


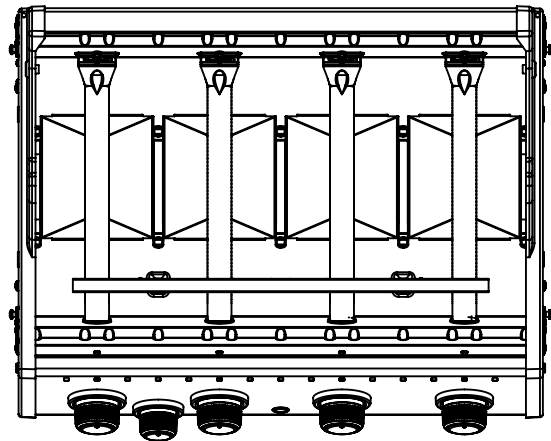
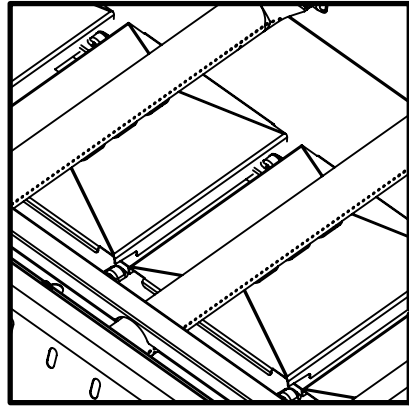
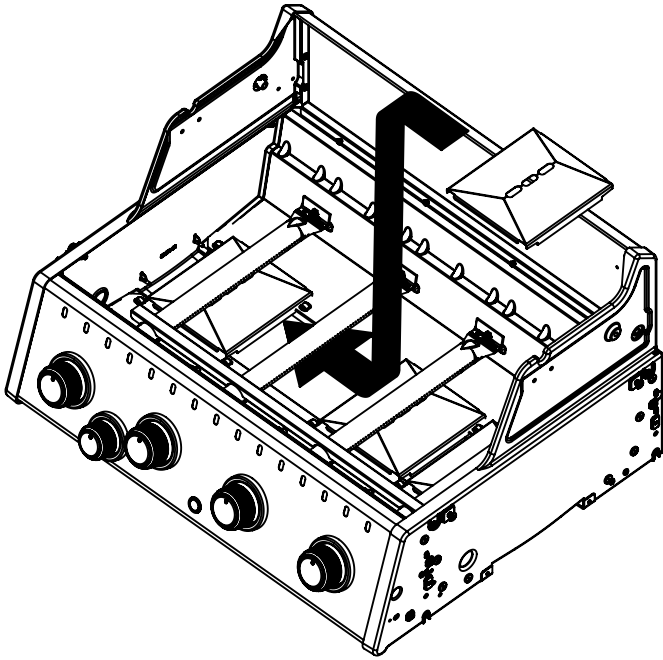
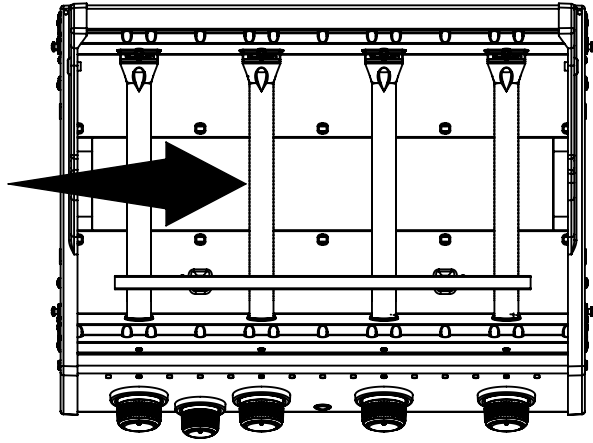
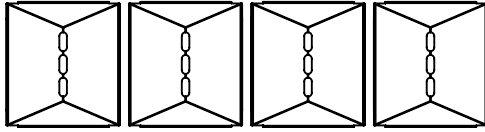
17

(2) 

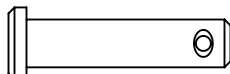
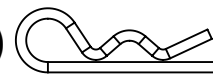


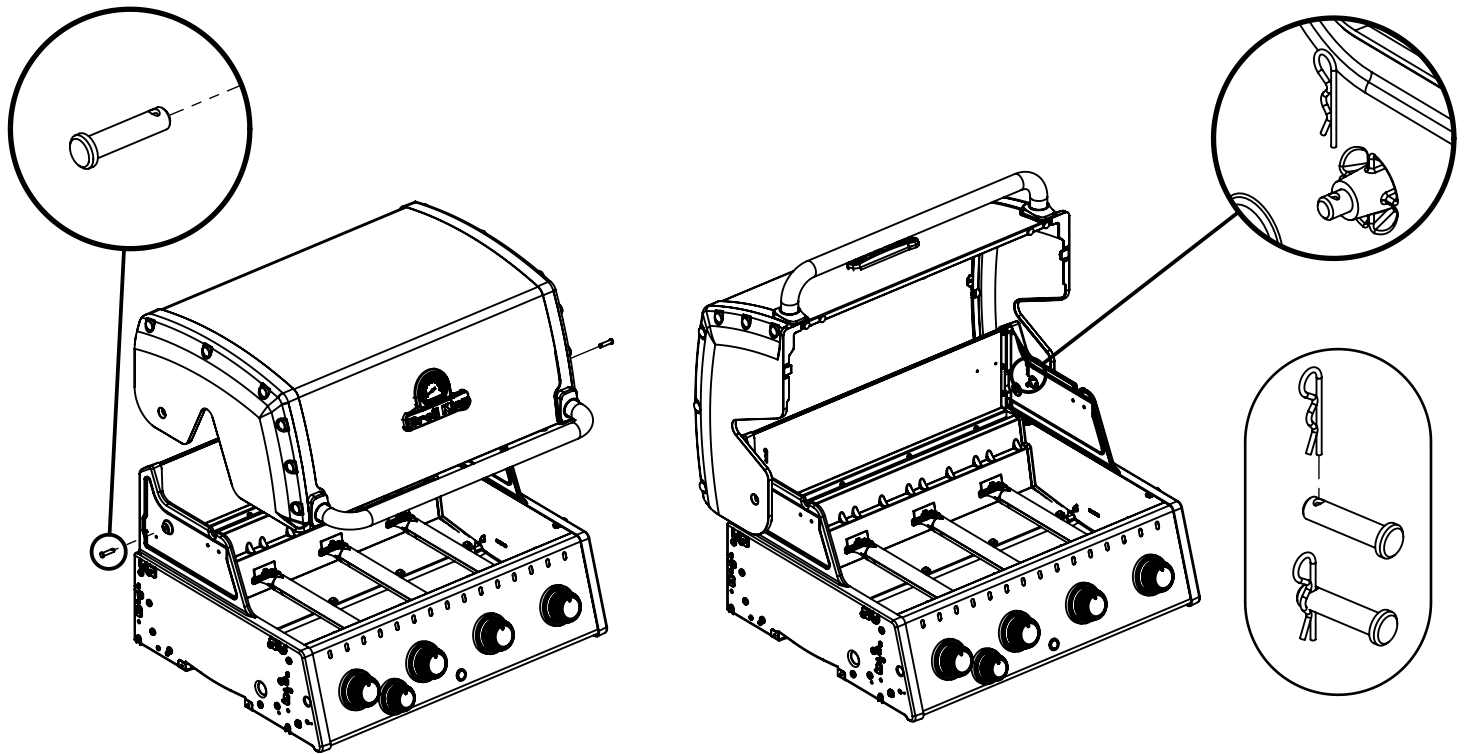
18



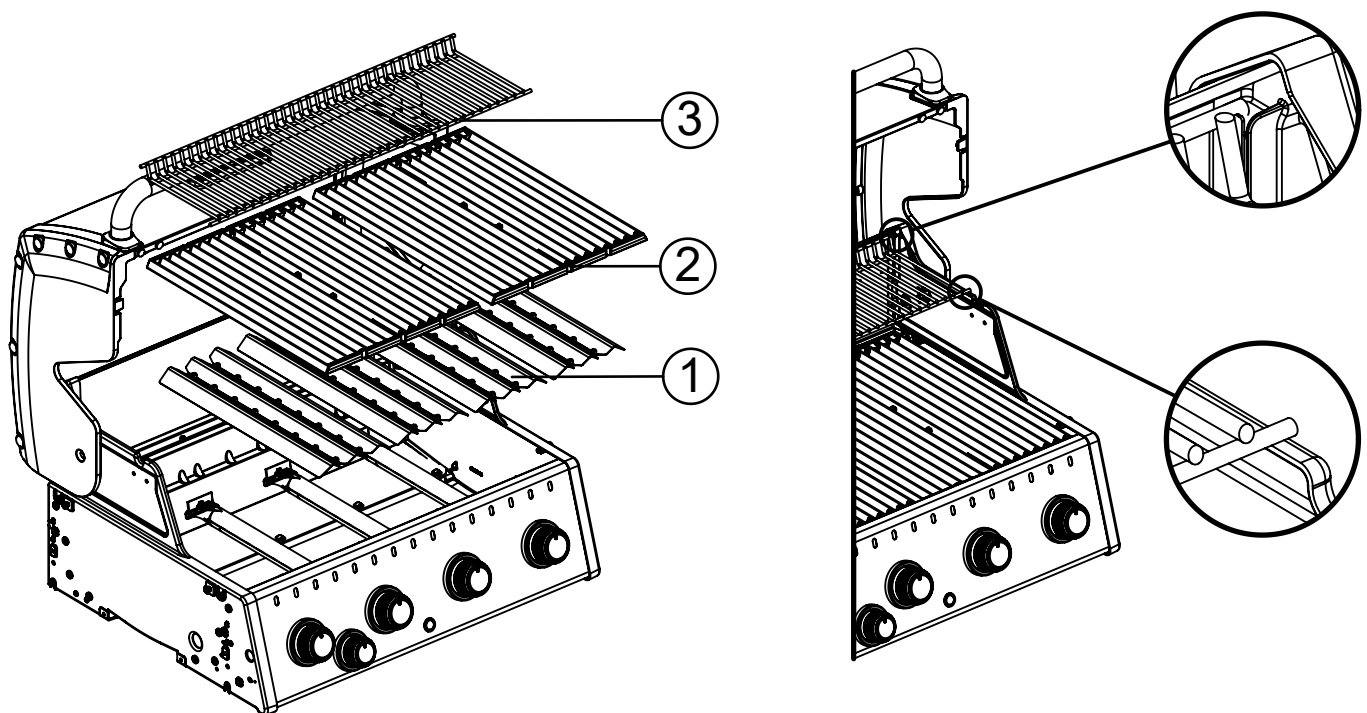


20

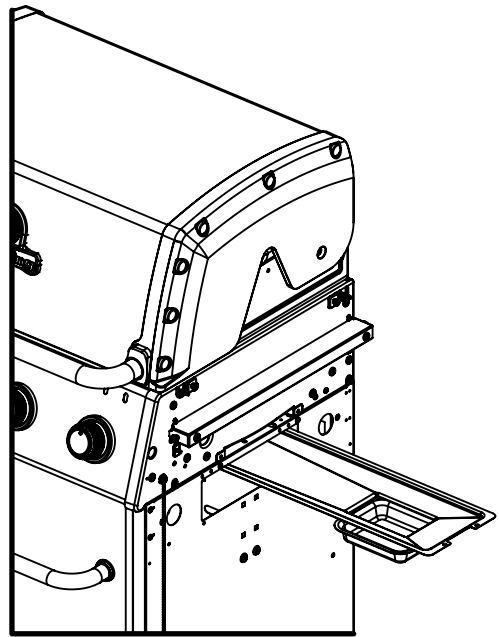
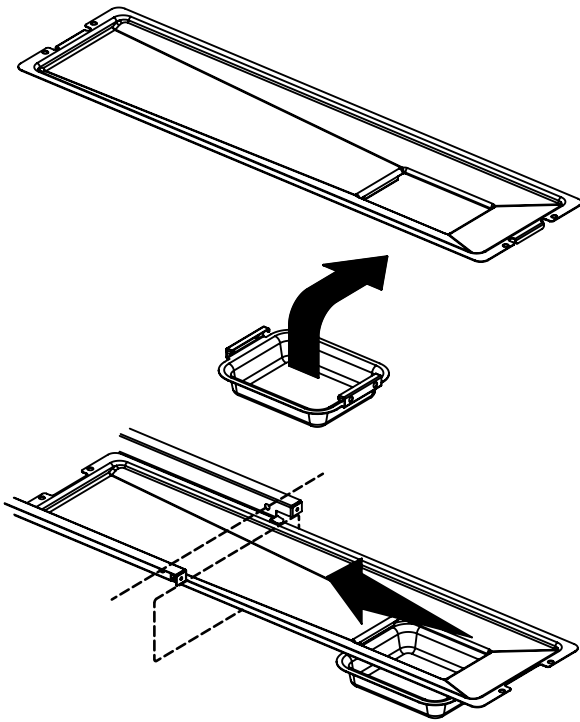
(2)  (2) 



21



22



23

