

Broil King®



Broil King Imperial™

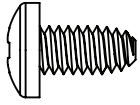
690 IR
9977-83IRNZ

Onward
SINCE 1906
MANUFACTURING COMPANY LIMITED
585 KUMPF DRIVE
WATERLOO, ONTARIO, CANADA
N2V 1K3

20084-E37NZ REV B 02/22

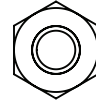
HARDWARE INCLUDED

Y-12865



(28)

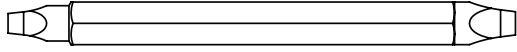
Y-11793



(4)



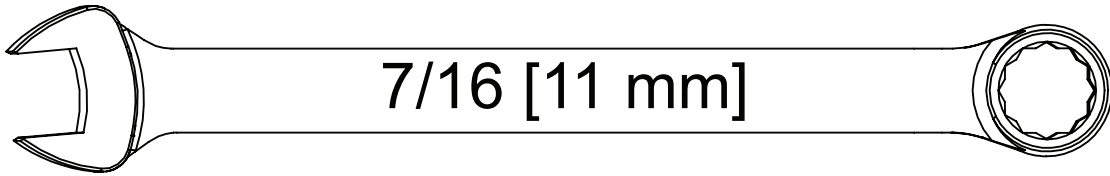
#2 ROBERTSON



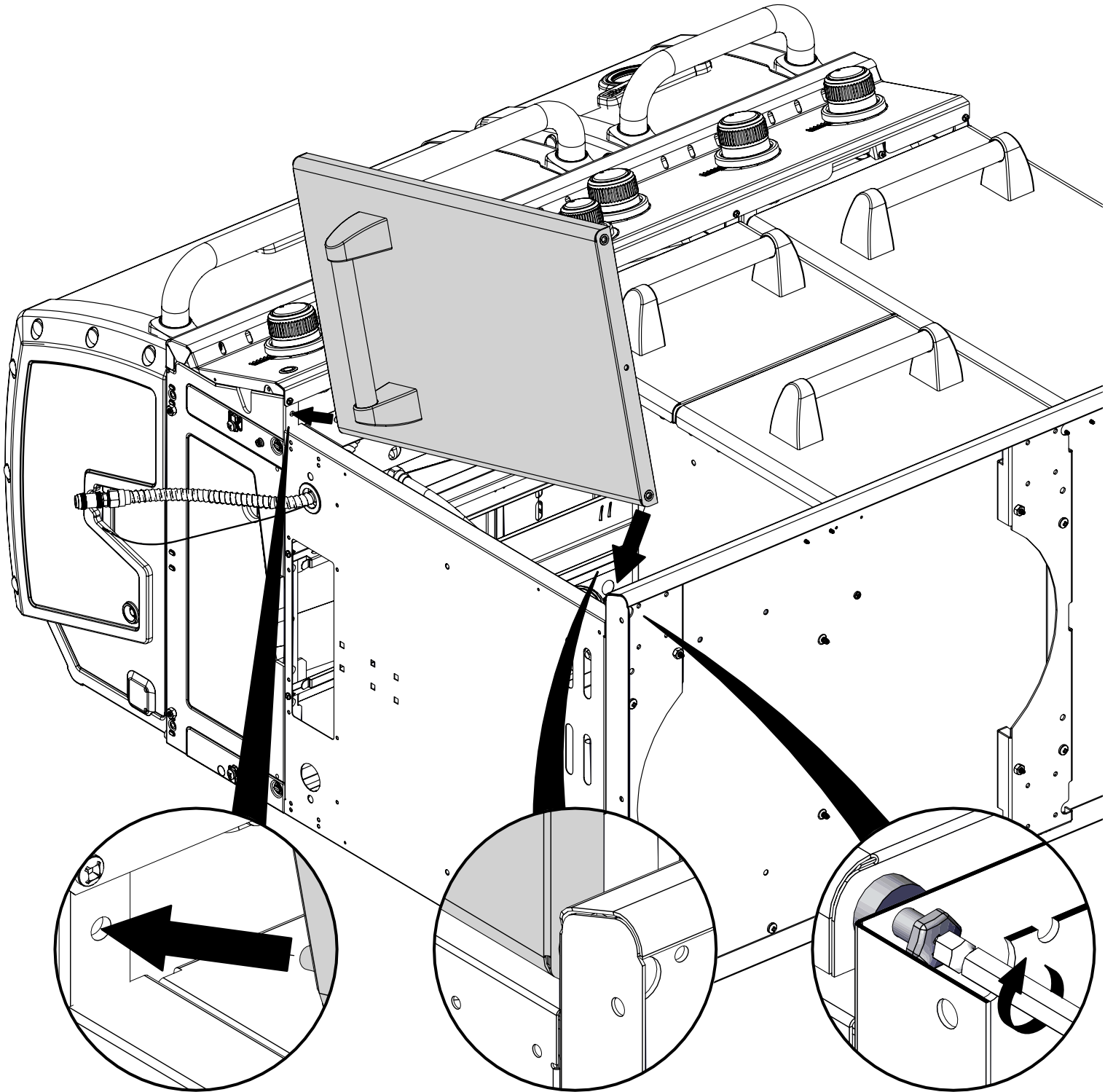
#3 ROBERTSON



TOOLS REQUIRED

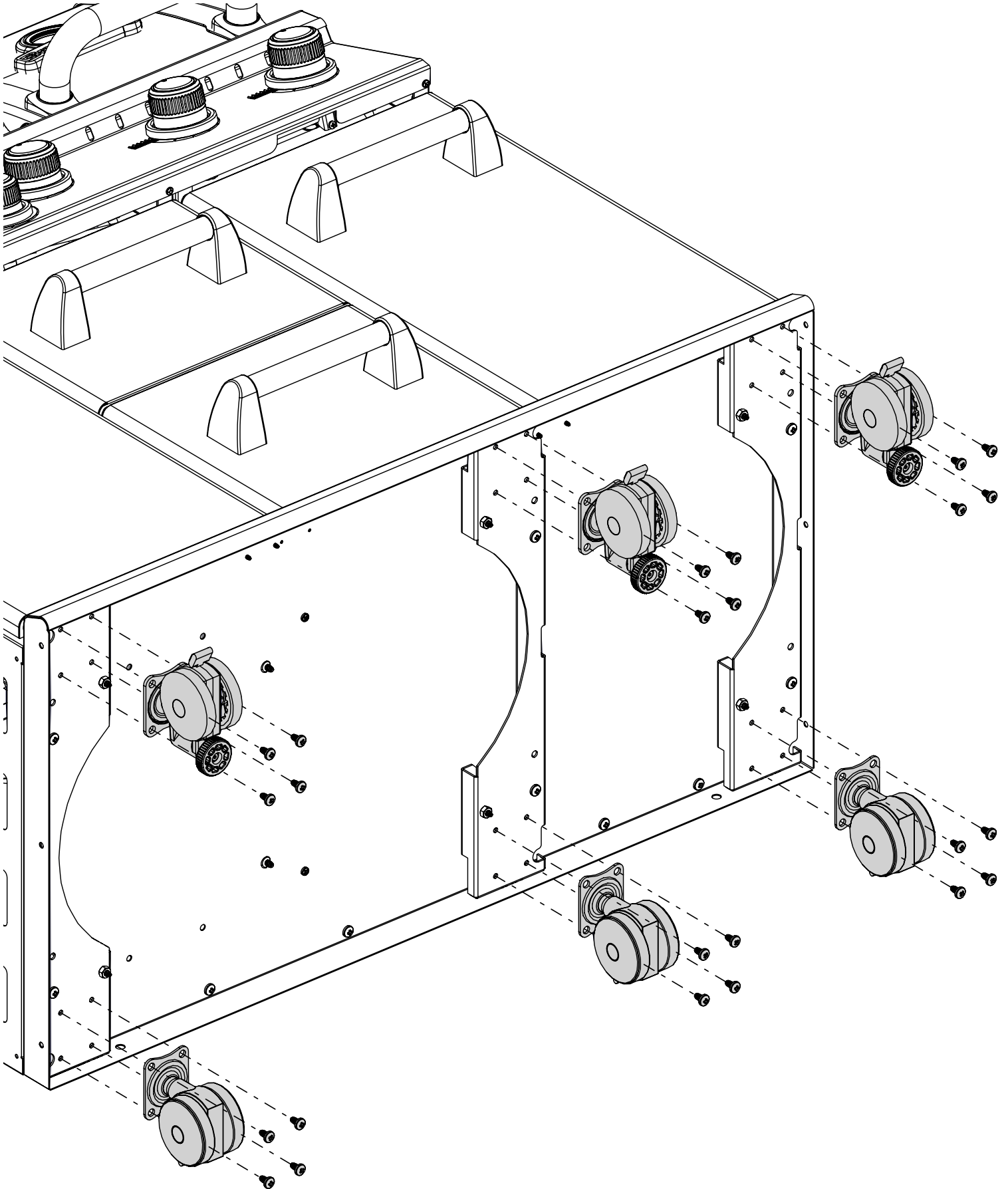
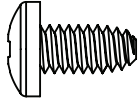


1

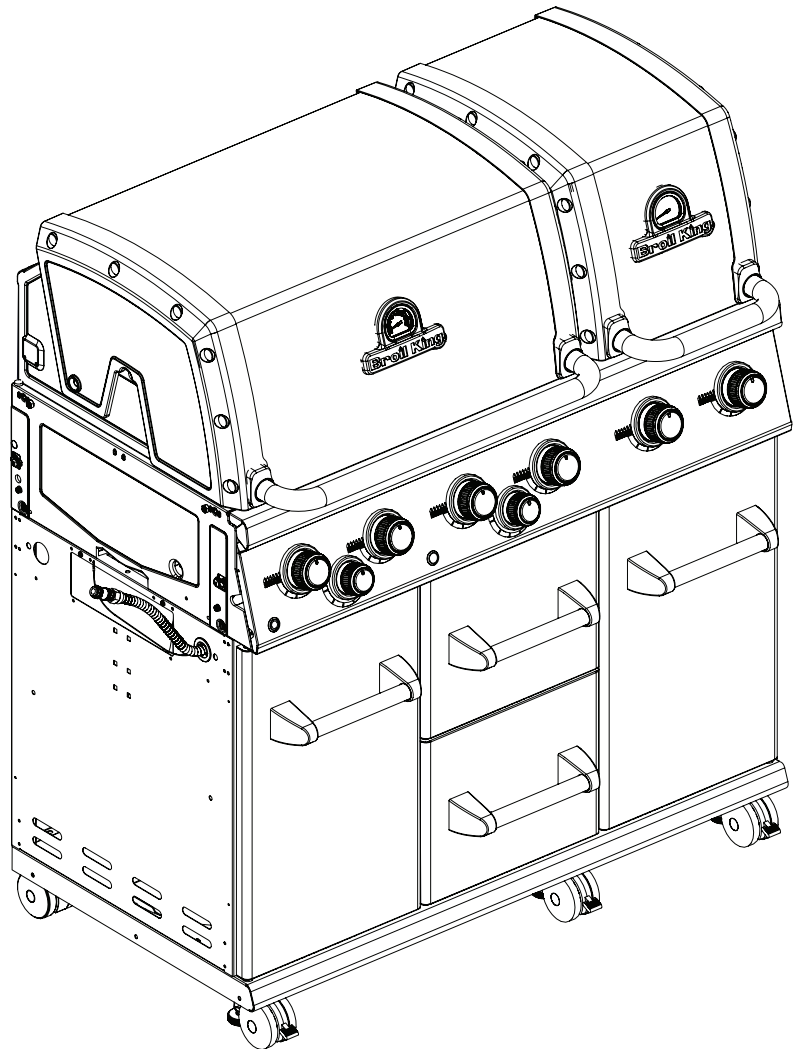
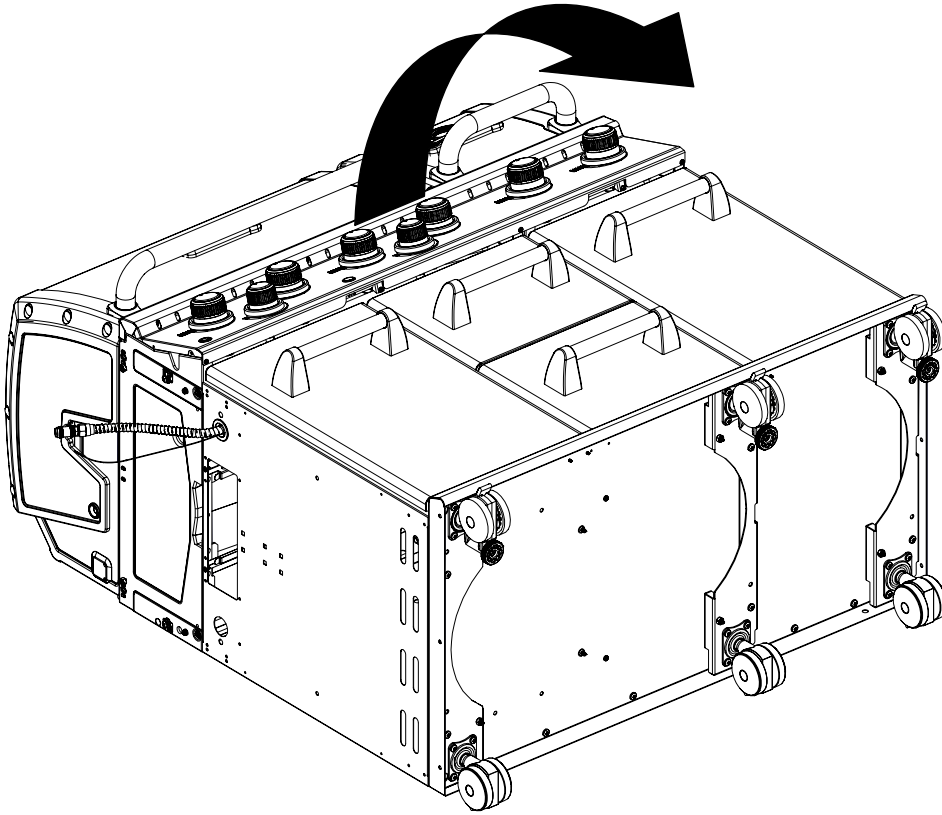


2

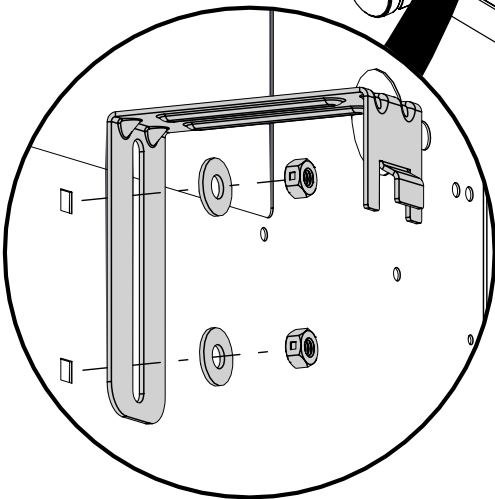
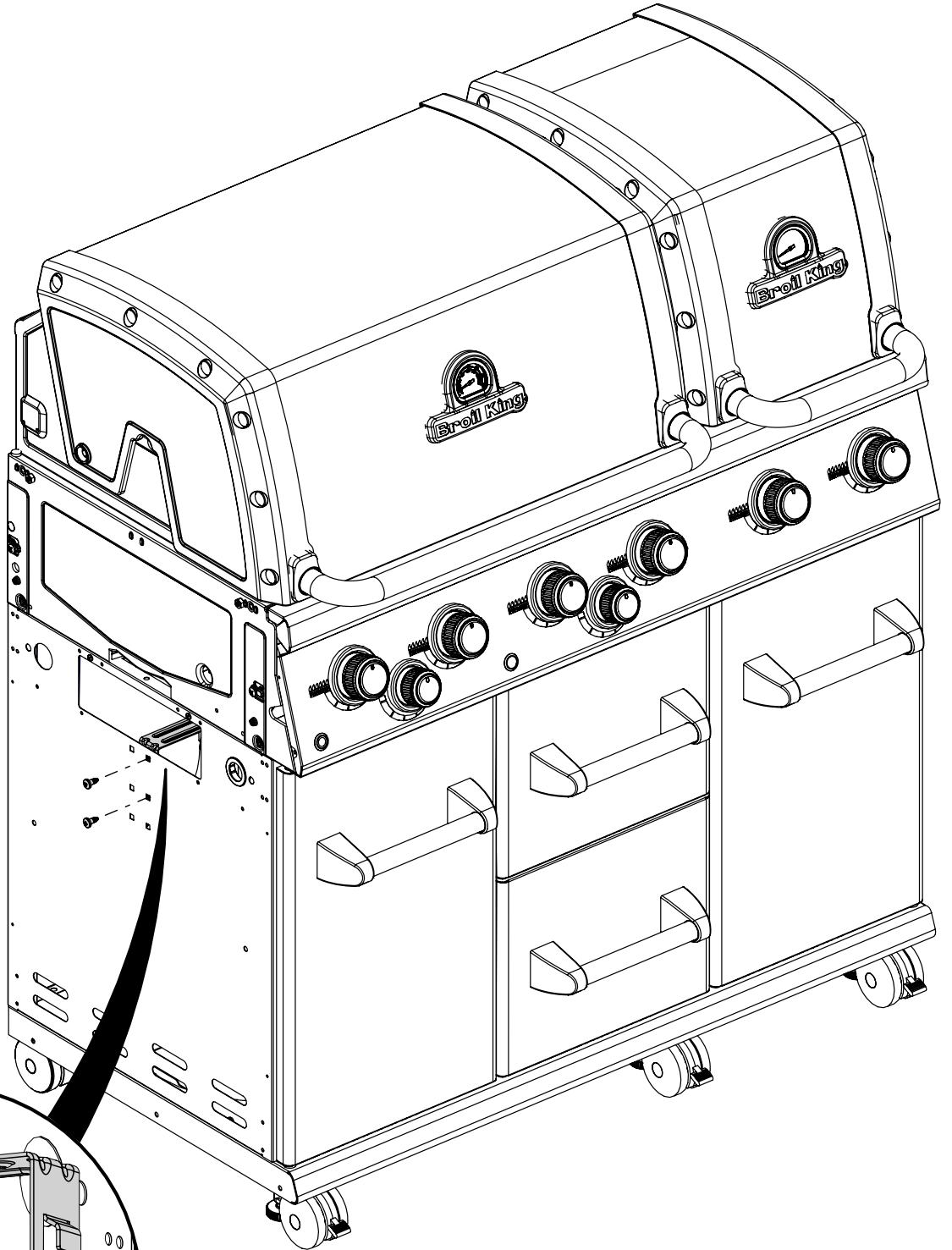
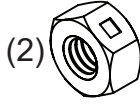
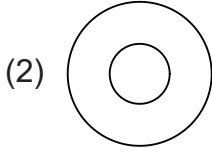
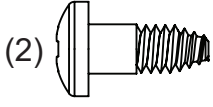
(24)



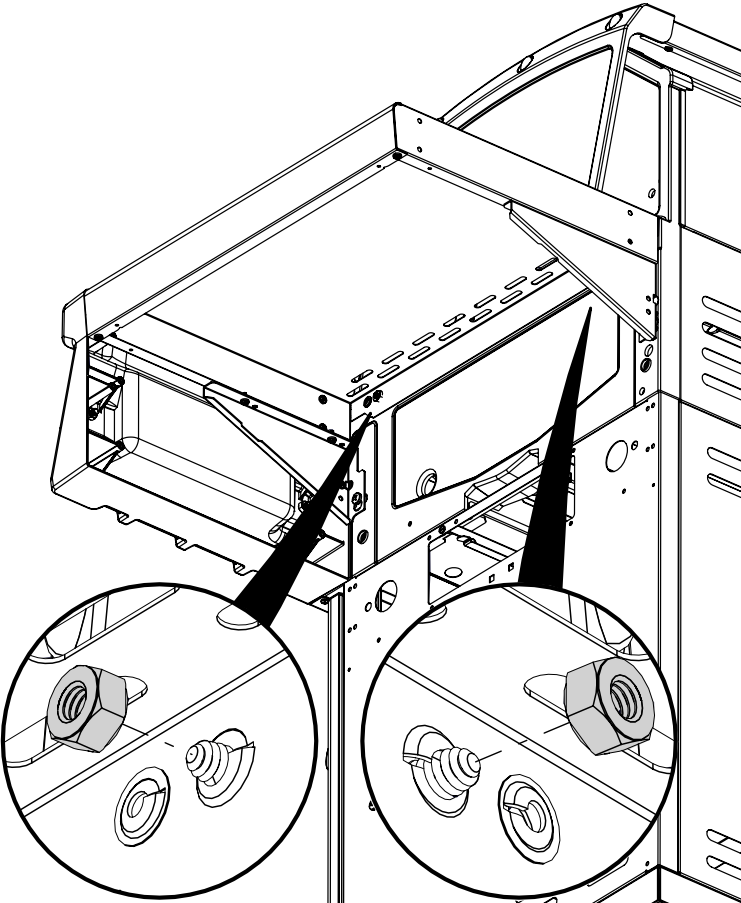
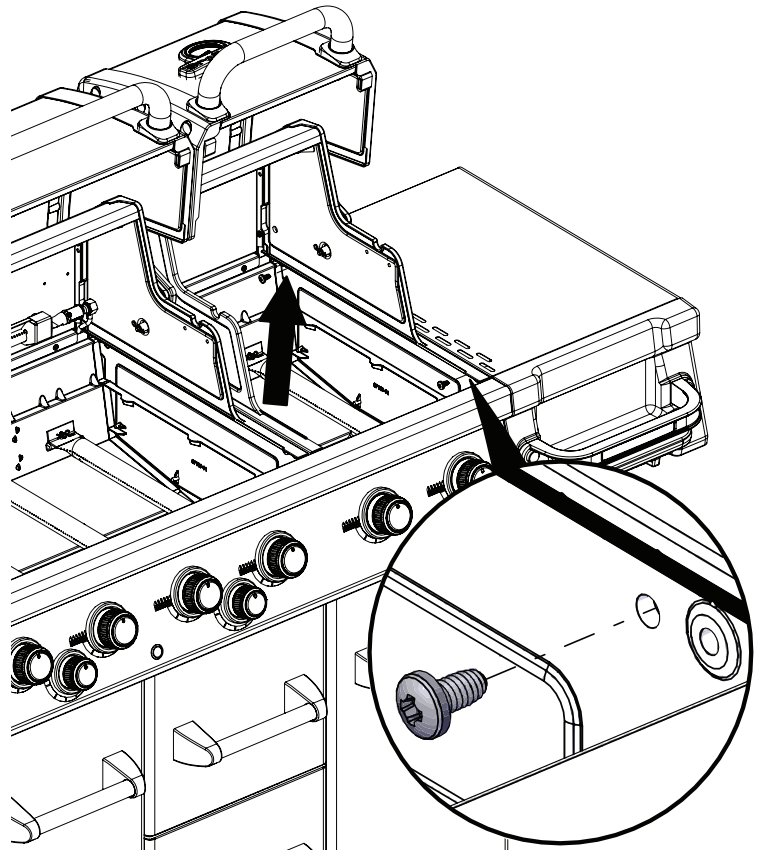
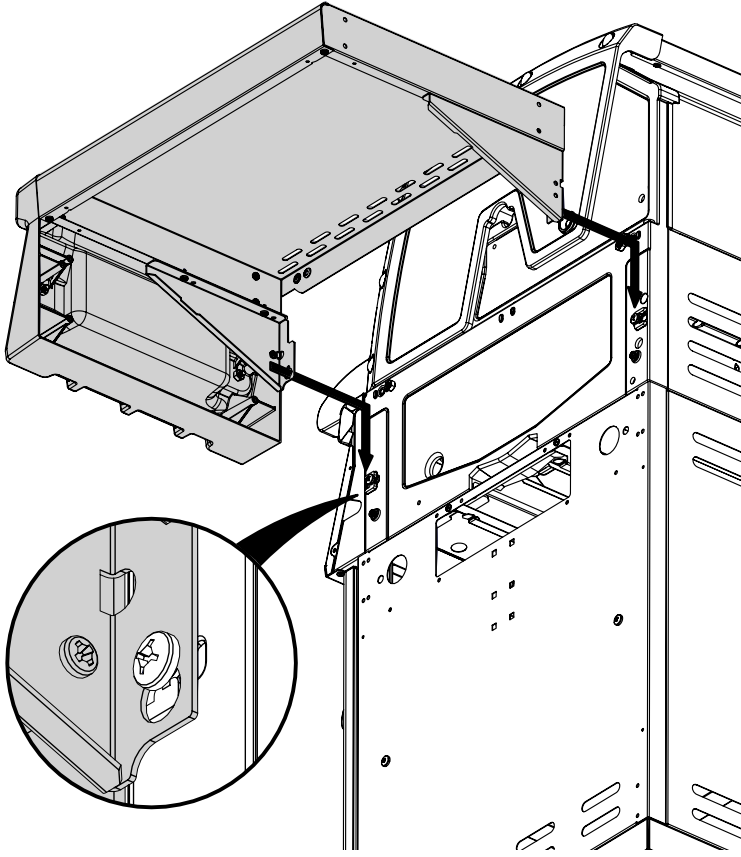
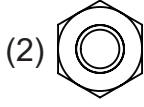
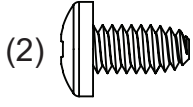
3



4

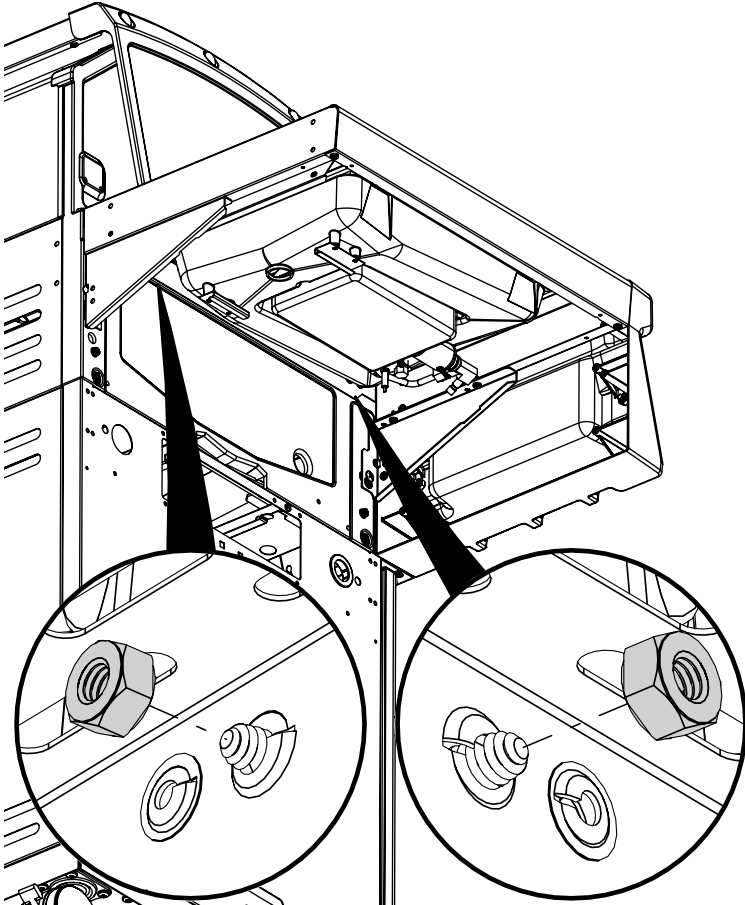
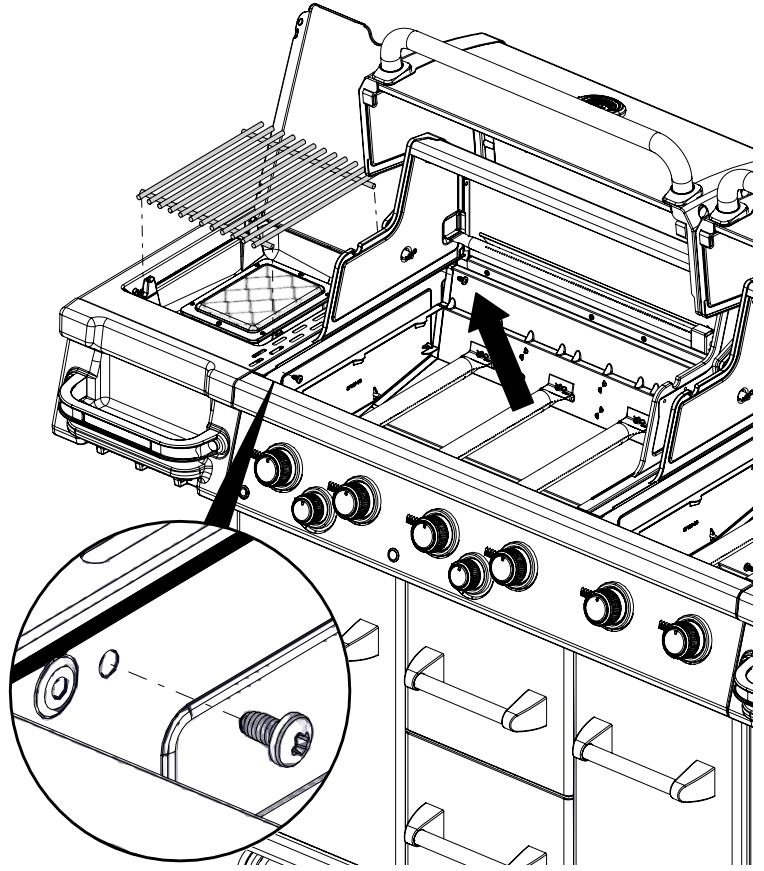
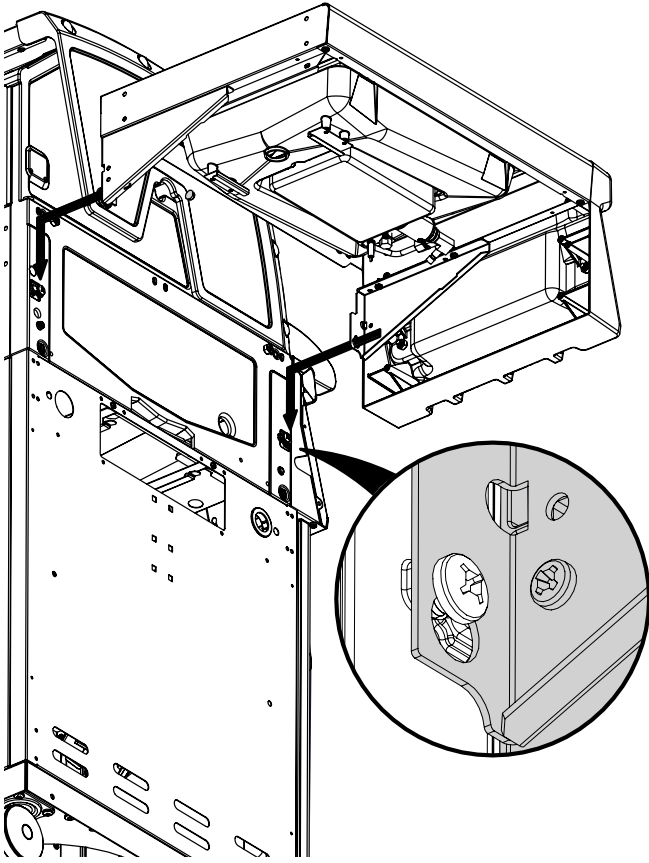


5

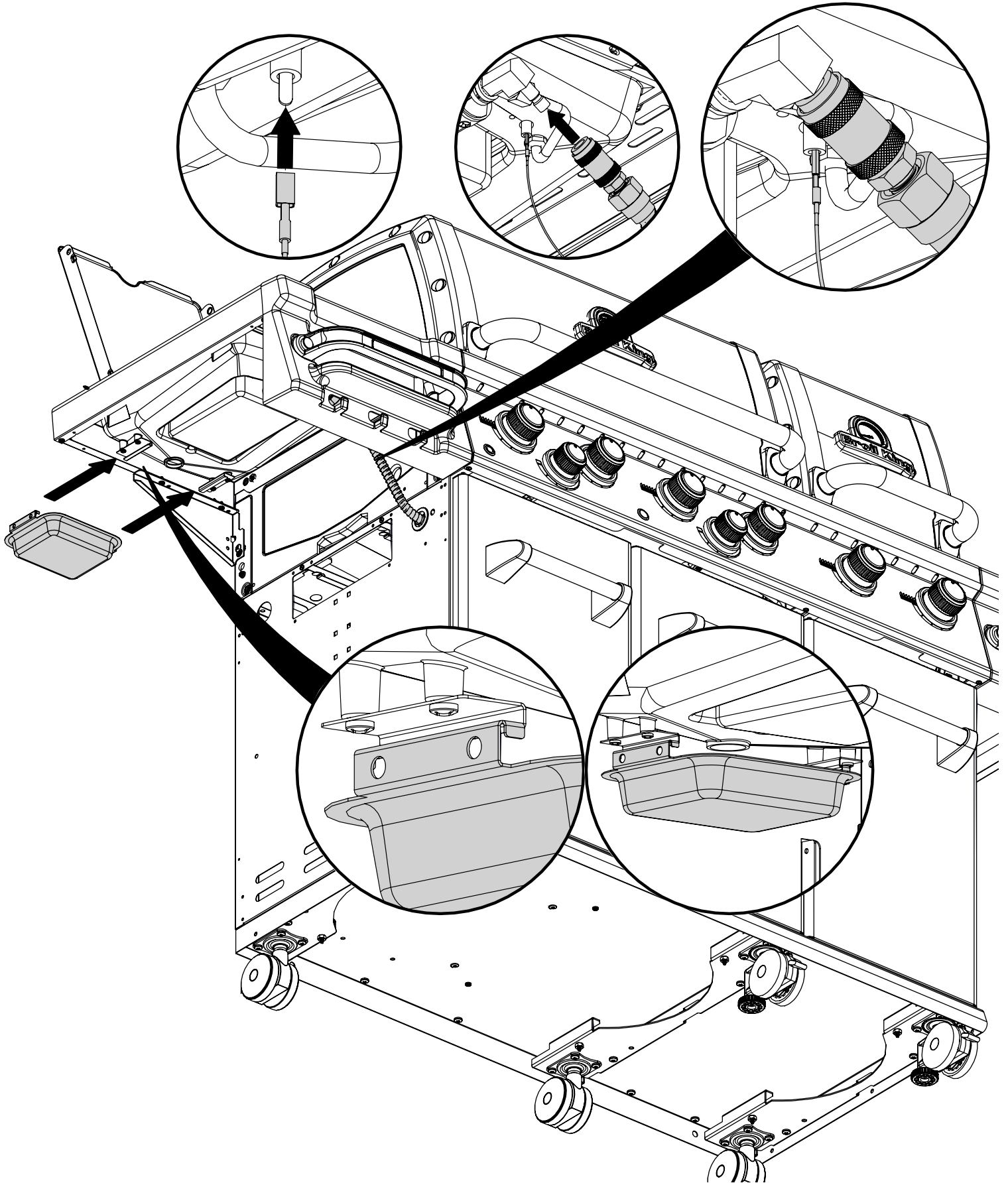


6

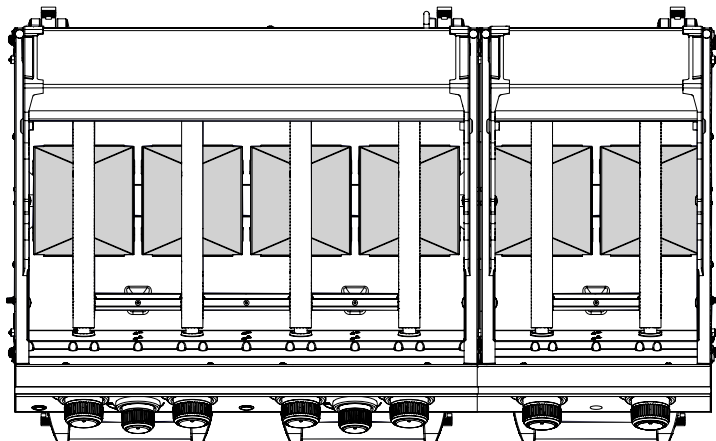
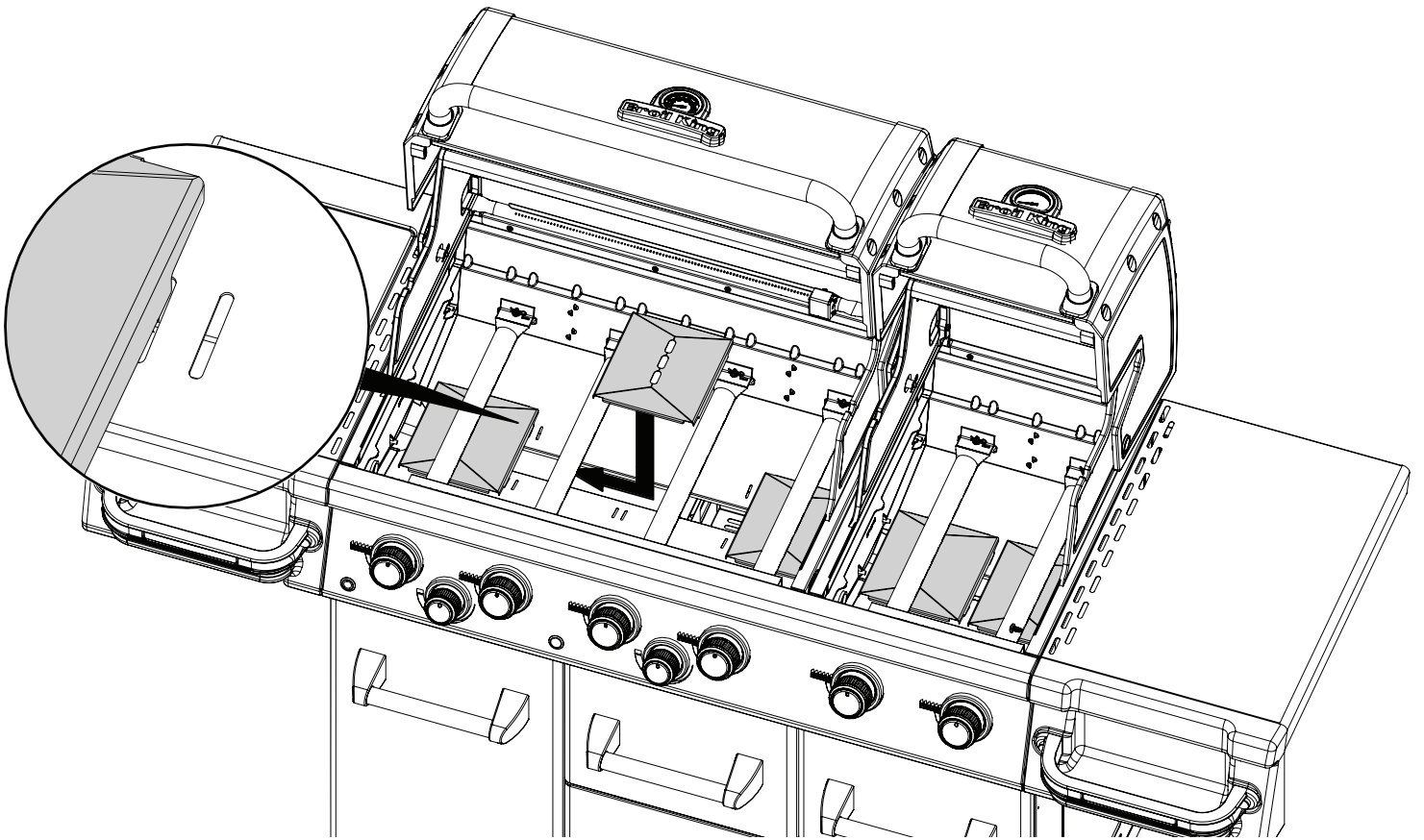
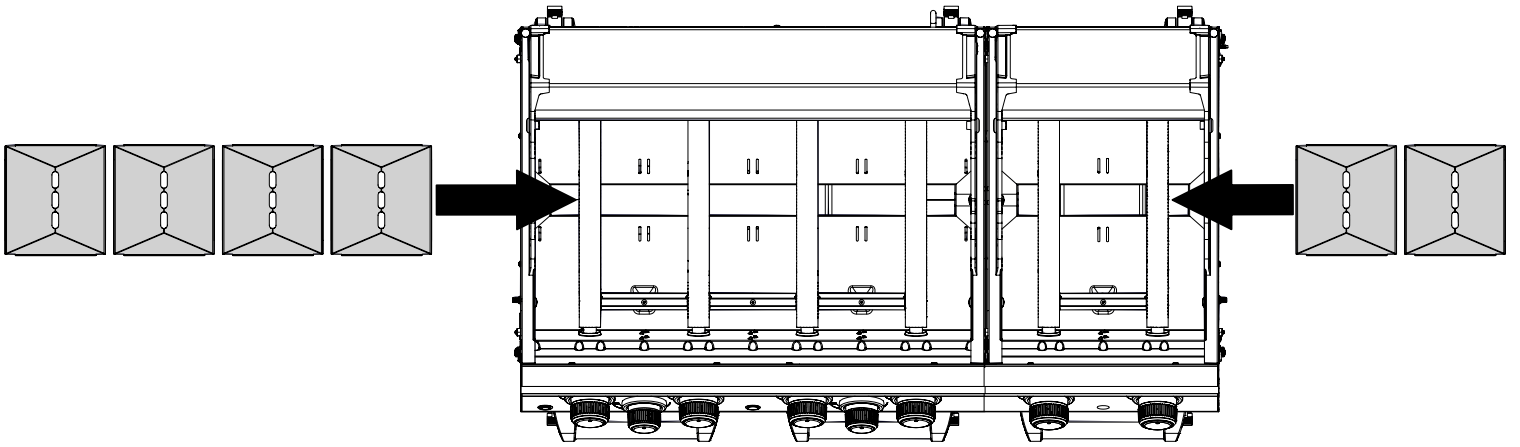
- (2) 
- (2) 
- (2) 

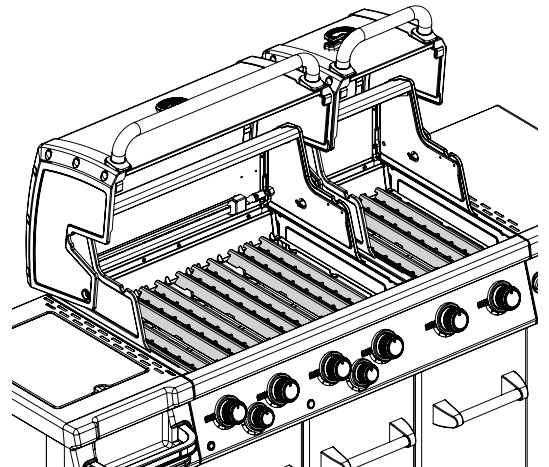
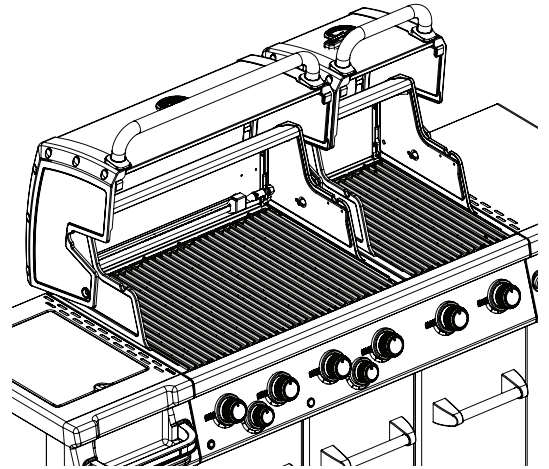
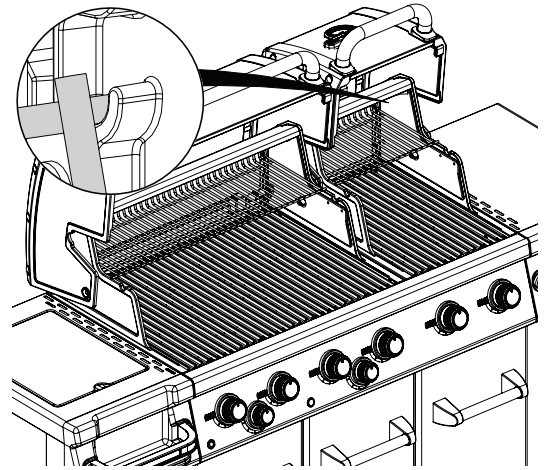
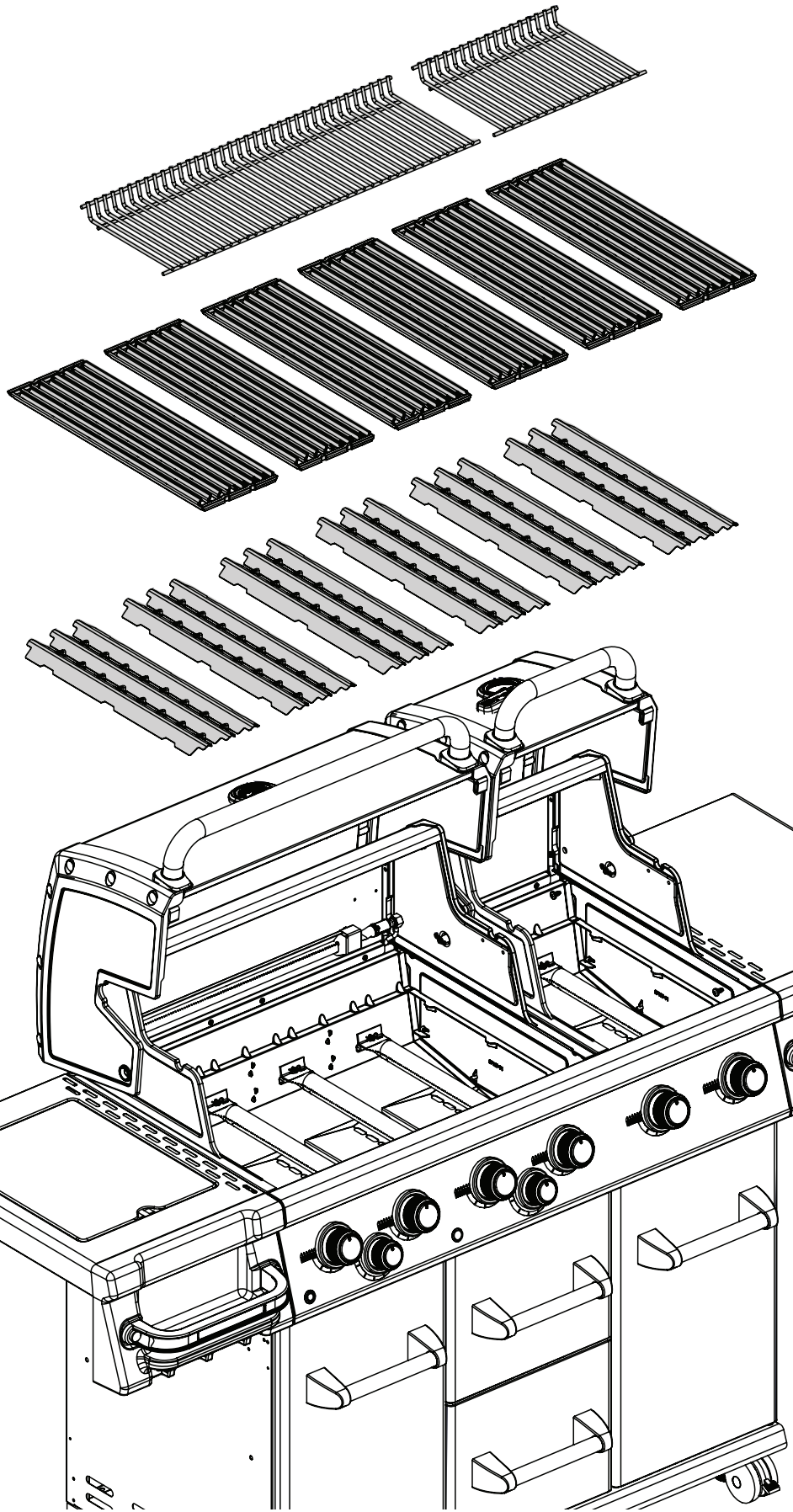


7

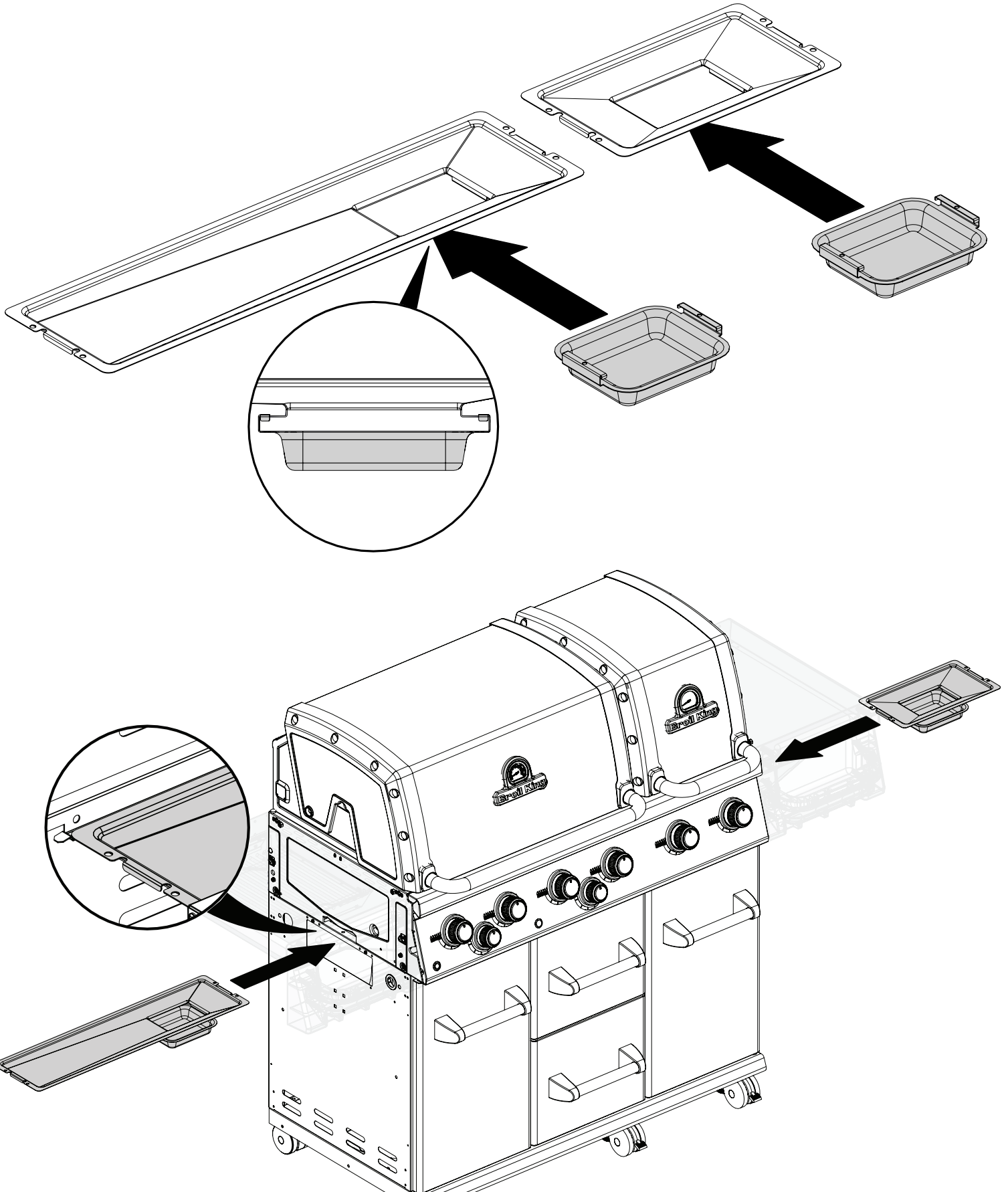


8

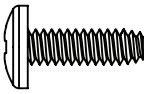


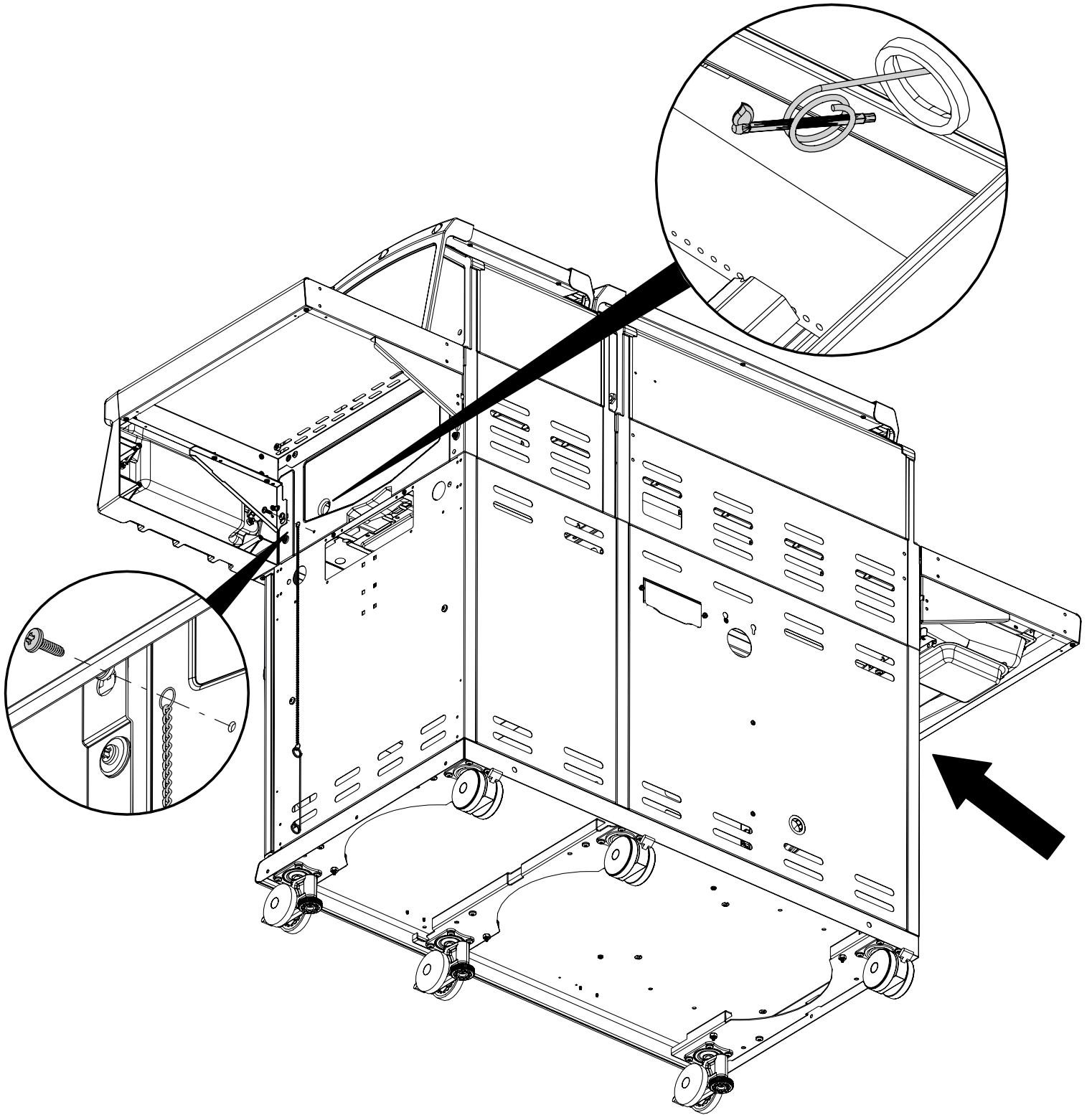


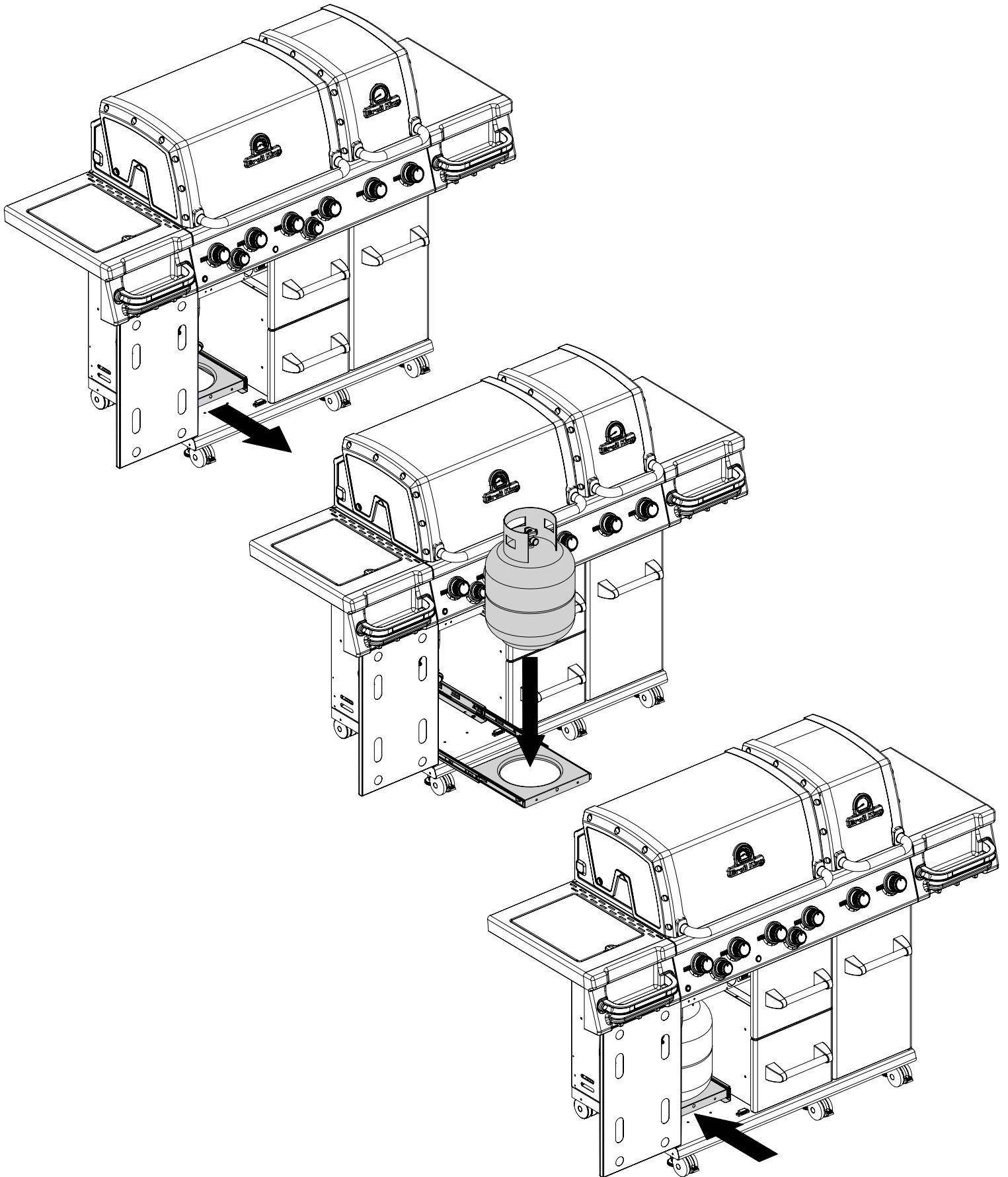
10



11

(2)  (2)



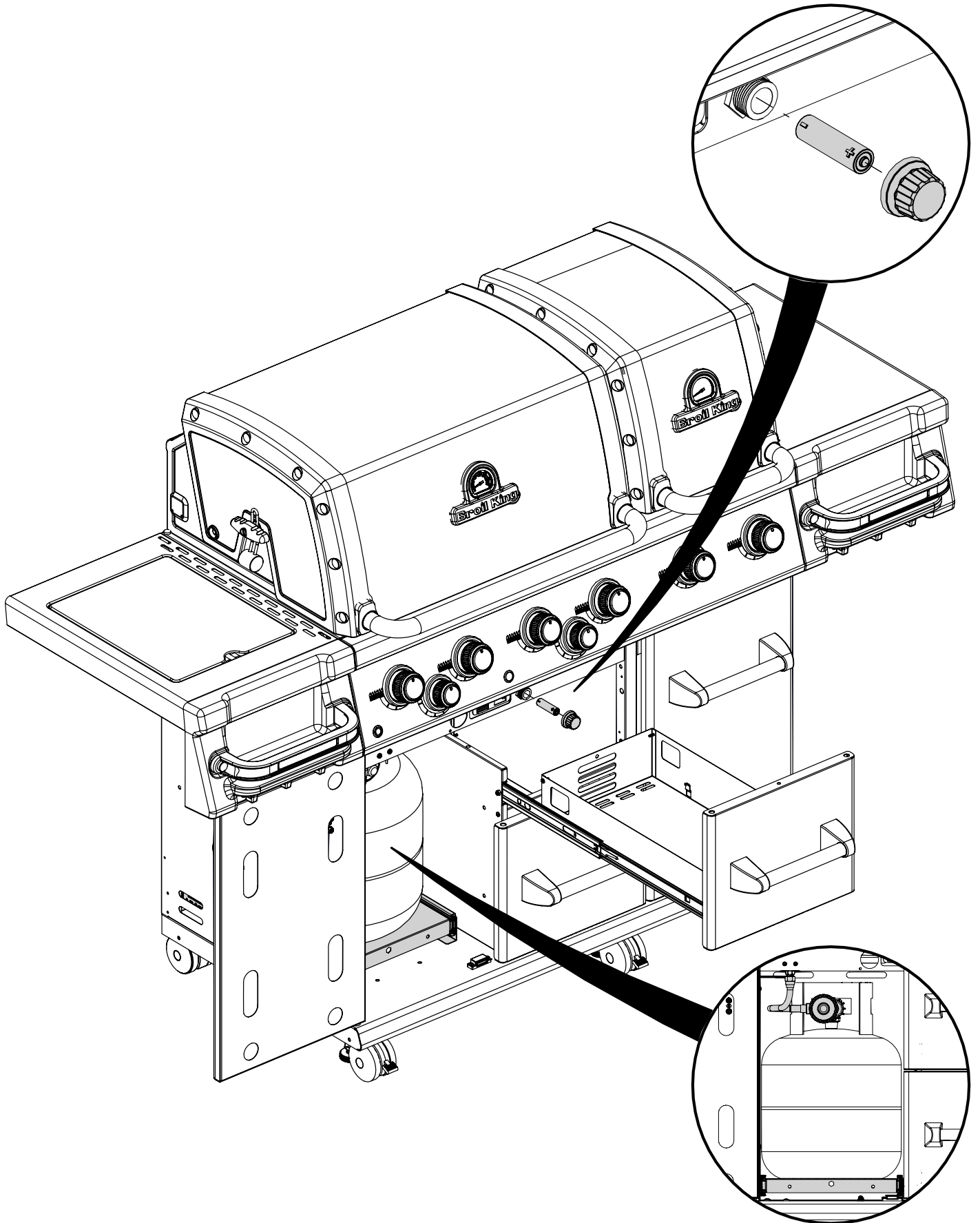


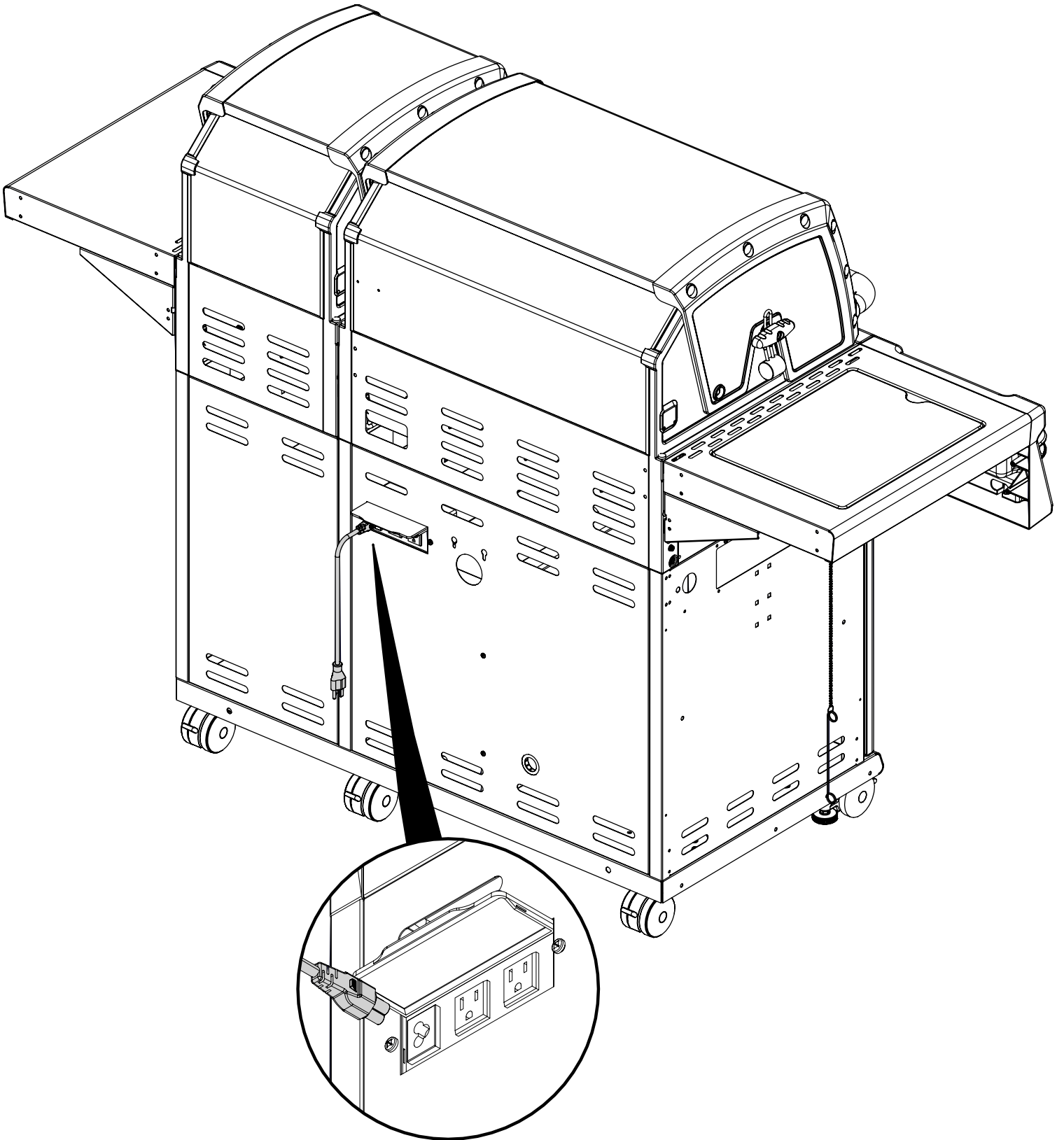
13

(1)

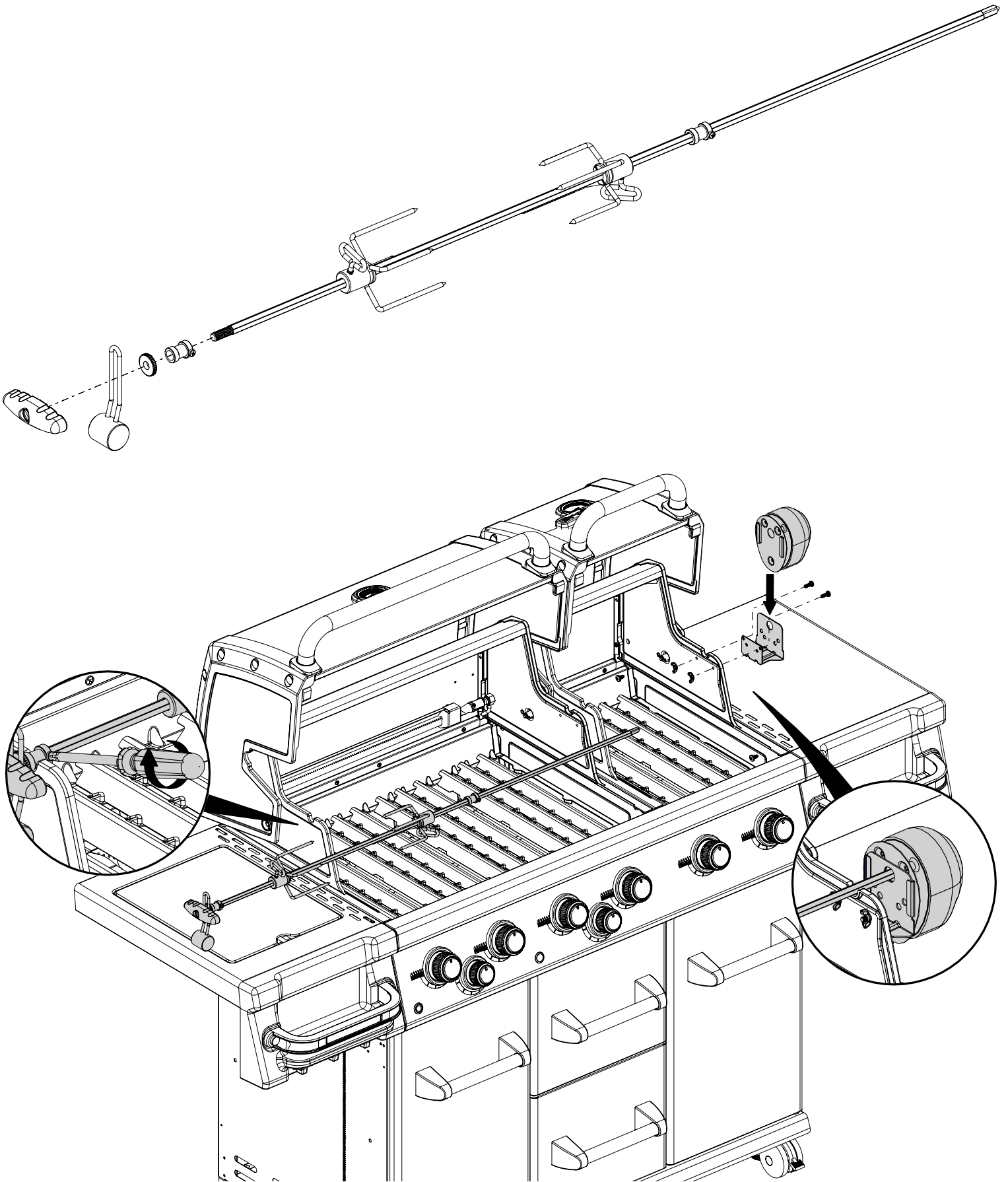


AAA





15



PARTS LIST / LISTE DES PIECES

KEY #	ITEM #	DESCRIPTION	9977-83IRNZ
1	27008-703	FIRE BOX ASSEMBLY	1
1A	27003-703	FIRE BOX ASSEMBLY	1
2	86005-301	LID ASSEMBLY	1
2A	86003-301	LID ASSEMBLY	1
5	27249-904	GREASE SHIELD	6
7	Y-11544S	BURNER SCREW	6
8	S21242	BURNER MOUNT CLIP	6
18	22005-283	CAST STAINLESS STEEL GRID	6
20	22005-992	GRID - WARMING RACK	1
20A	22003-992	GRID - WARMING RACK	1
22	22025-903	COLLECTOR BOX	1
22A	22023-904	COLLECTOR BOX	1
25	22909-104E	BURNER	6
26	22001-769	CONTROL KNOB	6
26A	22001-669	CONTROL KNOB	2
27	22002-264	CONTROL BEZEL	6
27A	22001-164	CONTROL BEZEL	2
28	27028-493	CONTROL COVER	1
29	Y-12678	BEZEL STOP	1
30	Y-12674	KNOB ADAPTER	1
32	10111-16A	HOSE ASSEMBLY	1
33	10153-93	QUICK DISCONNECT FITTING	1
34	S13473-IR	HOSE-SIDE BURNER	1
34A	Y-11230	HITCH CLIP - SIDE BURNER	1
35	29018-074IR	CONTROL ASSEMBLY	1
36	10342-T21	ELECTRODE - SIDE BURNER	1
37	20809-957	TUBE-REAR BURNER ASSY	1
38	Y-11990	HEX NUT	1
39	10110-74	TUBE - COMPRESSION FITTING	1
40	10111-HR06	HOSE AND REGULATOR	1
41	20153-64	ORIFICE ADAPTER	1
42	10153-79	GAS FITTING	1
43	10342-E13	ELECTRODE	2
43A	10342-E22	ELECTRODE	1
44	10342-45	ELECTRONIC IGNITOR	1
44A	25070-92	IGNITOR HARNESS	1
44B	25070-93	IGNITOR BUTTON	1
45	10693-079	ORIFICE	1
46	23039-274	GREASE PAN SUPPORT	2
47	21035-991	GREASE RAILS	2
47A	21033-991	GREASE RAILS	2
48	22009-901	GREASE PAN	3
49	27055-901	GREASE TRAY	1
49A	27053-901	GREASE TRAY	1
51	22009-103	FLAV-R-WAVE ®	6
56	24005-12A	HANDLE	1
56A	24003-12A	HANDLE	1
58	54009-936	HANDLE BEZEL	4
59	10081-BK630	NAMEPLATE	2
60	10571-6	HEAT INDICATOR	2
65	20005-000	MATCH LIGHT - STICK	2
68	23275-111A	RIGHT DOOR	1
69	23275-131A	LEFT DOOR	1
70	21079-906	HANDLE END CAP	8
71	21171-23	HANDLE - SMALL	4
74	Y-99100	DRAWER SLIDE	2
77	21165-111A	DRAWER ASSEMBLY	2
78	21335-111	BRACKET - DOOR CATCH	1
78A	21333-921	BRACKET - DOOR CATCH	1
80	21109-901R	SIDE PANEL	3
82	25208-201R	SHELF - CABINET	1
83	21065-901R	DRAWER CENTER MOUNT	1
84	21069-901	DRAWER SUPPORT	1
88	21305-921R	PANEL - REAR	1
88A	25308-921R	PANEL - REAR	1
90	25098-951	BASE	1
100	21039-911	BRACKET - CASTOR SUPPORT	3
101	21099-10A	TANK BASE	1

PARTS LIST / LISTE DES PIECES

KEY #	ITEM #	DESCRIPTION	9977-83IRNZ
102	10892-23	CASTOR	3
102A	10892-285	CASTOR	3
103	21009-951	TANK BRACKET	1
114	23101-113	SHELF	1
115	23101-153	SHELF-SIDE BURNER	1
124	23090-27	SIDE BURNER BODY	1
125	23000-253	COVER-SIDE BURNER	1
126	20390-74	SIDE BURNER	1
127	18670	SIDE BURNER SCREEN	1
128	23001-79	GRID	1
130	27905-354	BURNER ROTISSERIE	1
131	10693-109	REAR BURNER-ORIFICE	1
133	S15271	HANDLE	1
134	S15270	BALANCER	1
135	S15299	WASHER	1
136	S15263	BUSHING	2
137	S15260	SPIT ROD	1
138	S15287	4 PRONG FORKS	2
139	57039-901	ROTISSERIE BRACKET	1
140	S21125	SCREW #8 X 1/2	6
141	Y-11559	SCREW 1/4-20X 3/4	4
142	S21127S	SCREW #8-32 X 7/16	24
144	Y-12220	BUSHING	1
145	S21235	HINGE PIN	2
145A	10240-17	HINGE PIN	1
146	S21233	HITCH PIN CLIP	3
147	Y-11231	LID BUMPER	4
148	10240-20	DOOR PIN	2
149	Y-11551	DOOR PIN	2
150	Y-12124	DOOR PIN CAP	2
151	Y-11567	SCREW M8 SHOULDER	8
152	Y-12222	MAGNET	2
153	Y-12223	SNAP IN MAGNET	2
154	Y-11560	SCREW 1/4-20 X 1-1/2	12
155	S21124	SCREW #8 X 1/2	28
156	Y-11793	NUT 1/4-20	14
157	Y-12835	SCREW #6-32 X 1/4	2
158	Y-12646	SHOULDER SCREW #8-32	2
159	S21136	SCREW #8-32 X 3/8	6
160	Y-29304	SCREW #10-24 X 3/8	3
161	Y-12310	SCREW 1/4-20 X 3/4	4
162	Y-29310	SCREW #10-24 X 3/4	2
163	S35094	SCREW #10-24 X 5/8	2
164	Y-29307	NUT #10-24	1
165	S21084	SCREW #14 X 5/8	8
168	Y-11208	WASHER	1
169	S21061	WING NUT	2
170	Y-12084	NUT - 10-24	6
171	S15247	ROTISSERIE MOTOR	1
172	S15517-011	ELECTRODE ASSEMBLY	1
173	S21362	SPRING	1
174	S21255	WASHER	2
175	Y-11546	SCREW 1/4-20 X 5/8	2
176	Y-11795	LOCK NUT 1/4-20	2
180	S35095	SCREW #10-24 X 3/4	2
181	25070-91	WIRE - TRANSFORMER	1
181A	25070-95	LIGHT SWITCH	1
182	25020-71	OVEN LIGHT	3
183	20589-AU	TRANSFORMER PLUG	1
184	20589-90U	TRANSFORMER	1
185	25030-72	WIRE - OVEN LIGHT	1
186	Y-12865	SCREW 1/4-20 X 1/2	43
187	25030-70	WIRE - OVEN LIGHT	1
190	25020-84	WIRE - LED LIGHTS	1
191	25020-84	WIRE - LED LIGHTS	1
193	SP11-25	LID BUMPER	4
194	S15508	REAR BURNER ELECTRODE	1

