

Broil King®




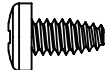
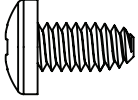
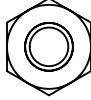
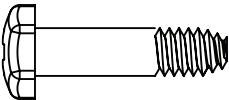
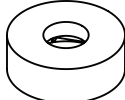
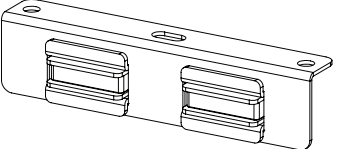
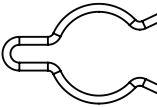
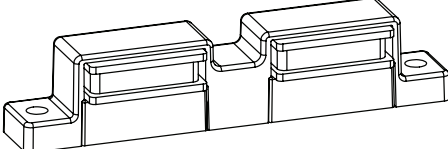
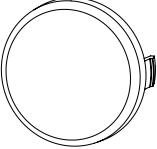
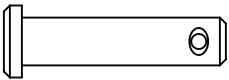
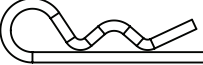
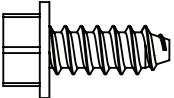

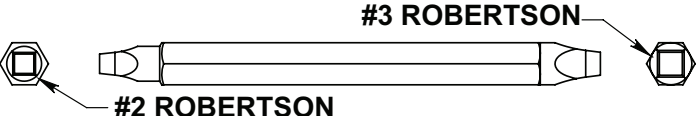

Broil King

BARON 590
8762-83NZ

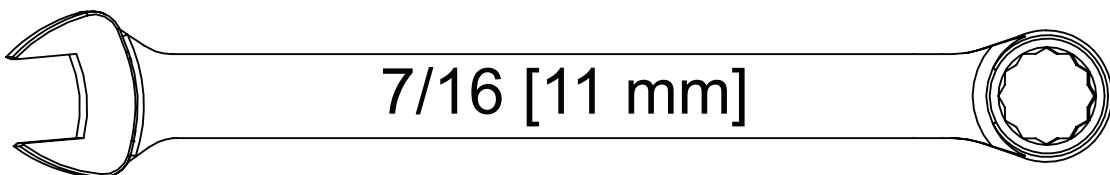
Onward
MANUFACTURING COMPANY LIMITED
SINCE 1906
585 KUMPF DRIVE
WATERLOO, ONTARIO, CANADA
N2V 1K3

50084-E80NZ REV H 11/22

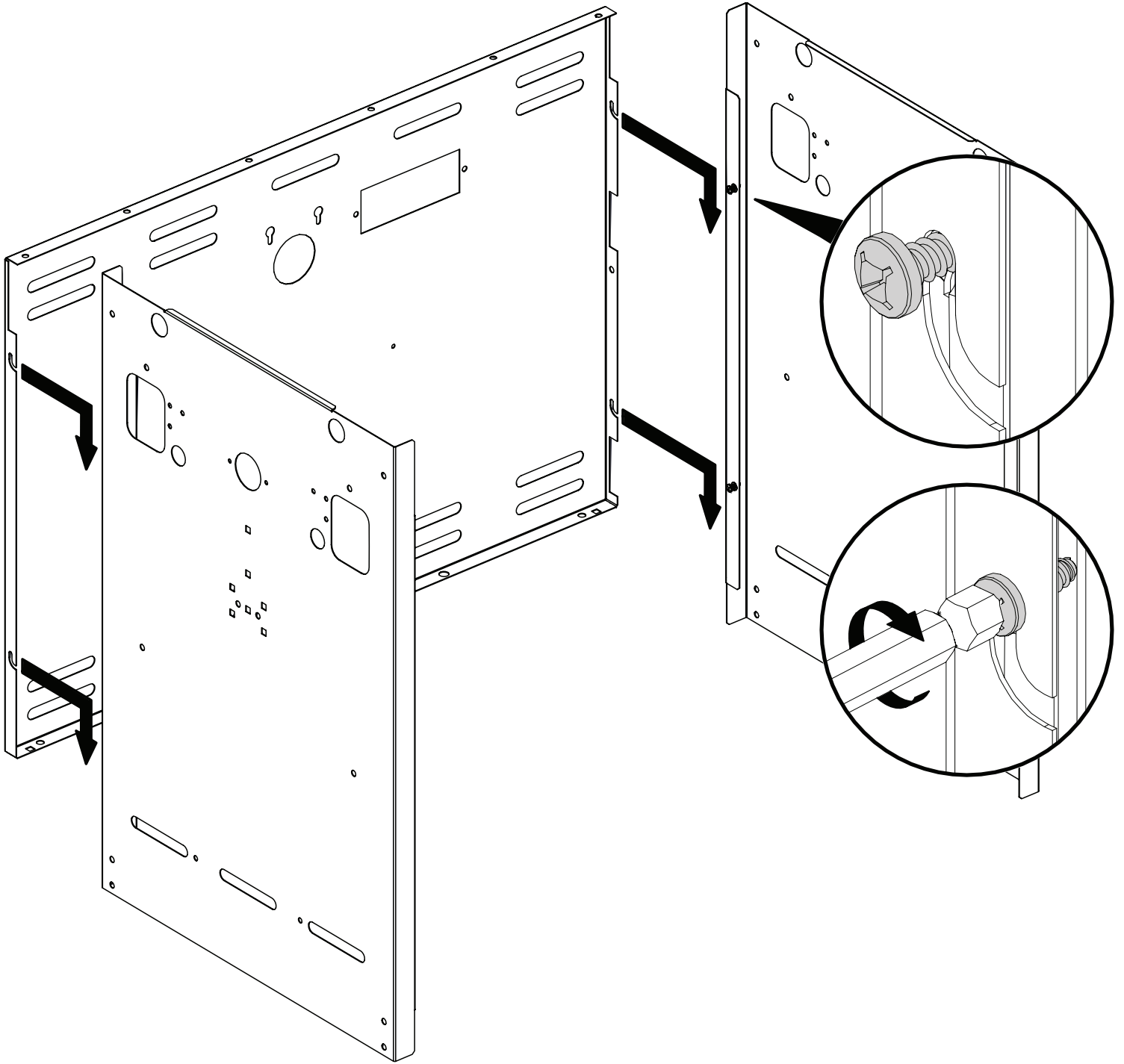
HARDWARE INCLUDED / MATERIAL INCLUS

S21124		(8)	Y-29304		(2)
Y-12865		(12)	Y-11793		(4)
Y-11551		(2)	Y-12124		(2)
56039-214A		(1)	Y-11230		(2)
Y-12229		(1)	32001-151		(4)
S21235		(2)	S21233		(2)
S21084		(8)	S21125		(8)
 <p>#2 ROBERTSON</p> <p>#3 ROBERTSON</p>					
20005-000					(1)

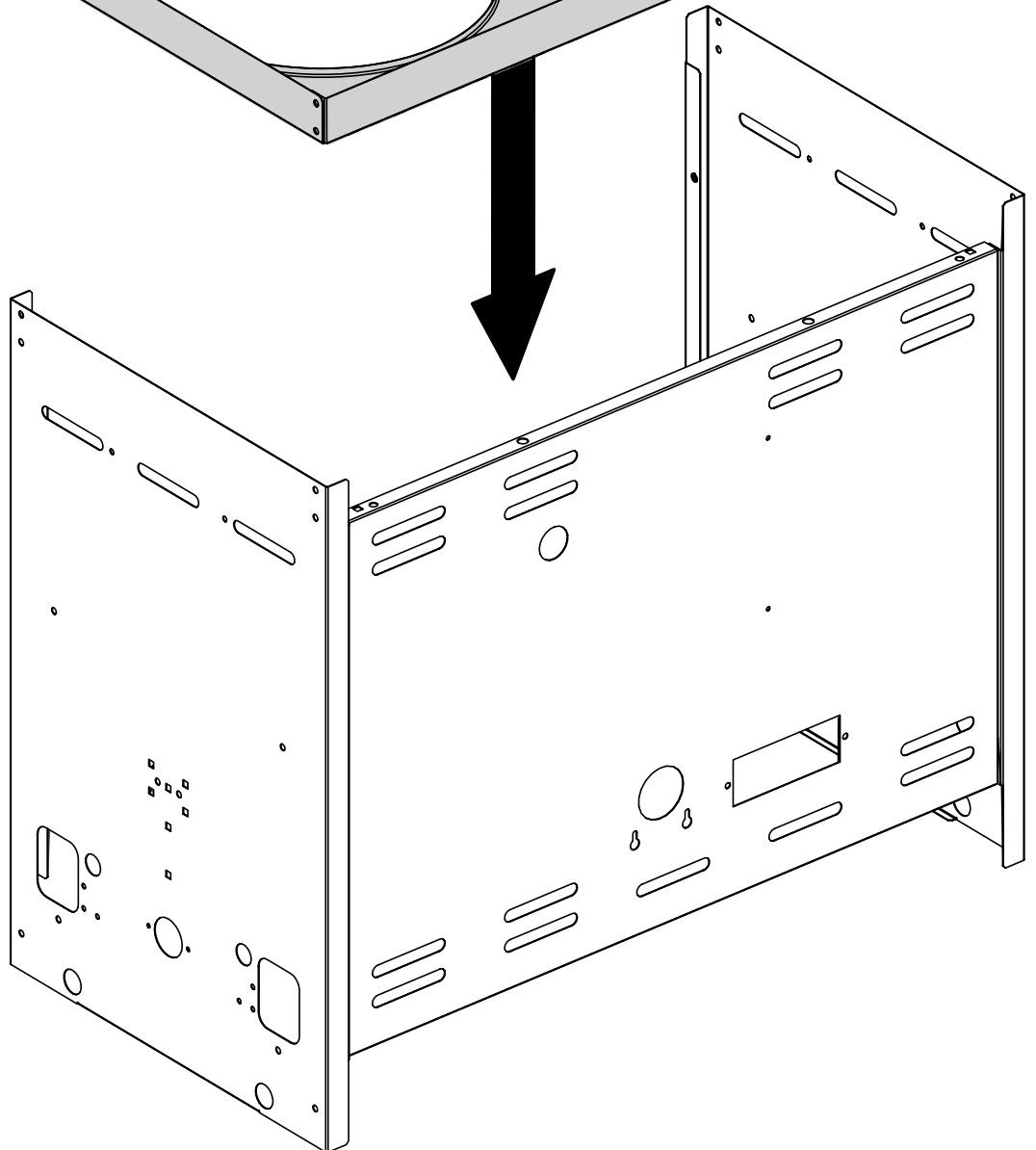
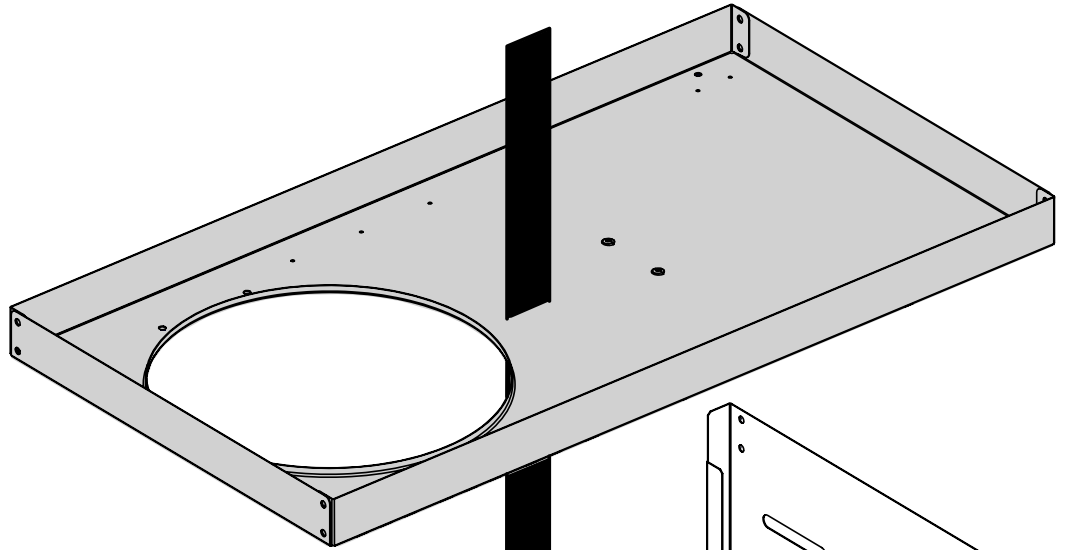
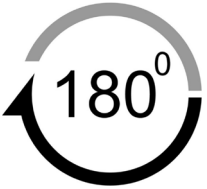
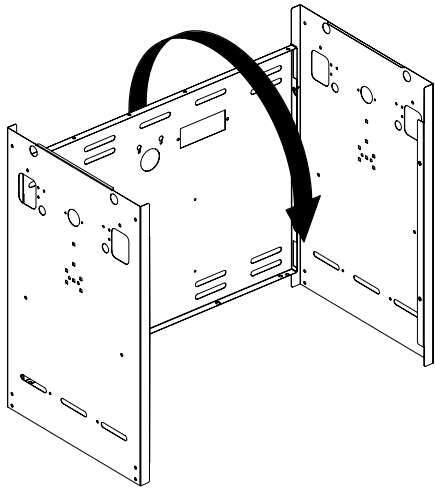
TOOLS REQUIRED / OUTILS NECESSAIRES




1

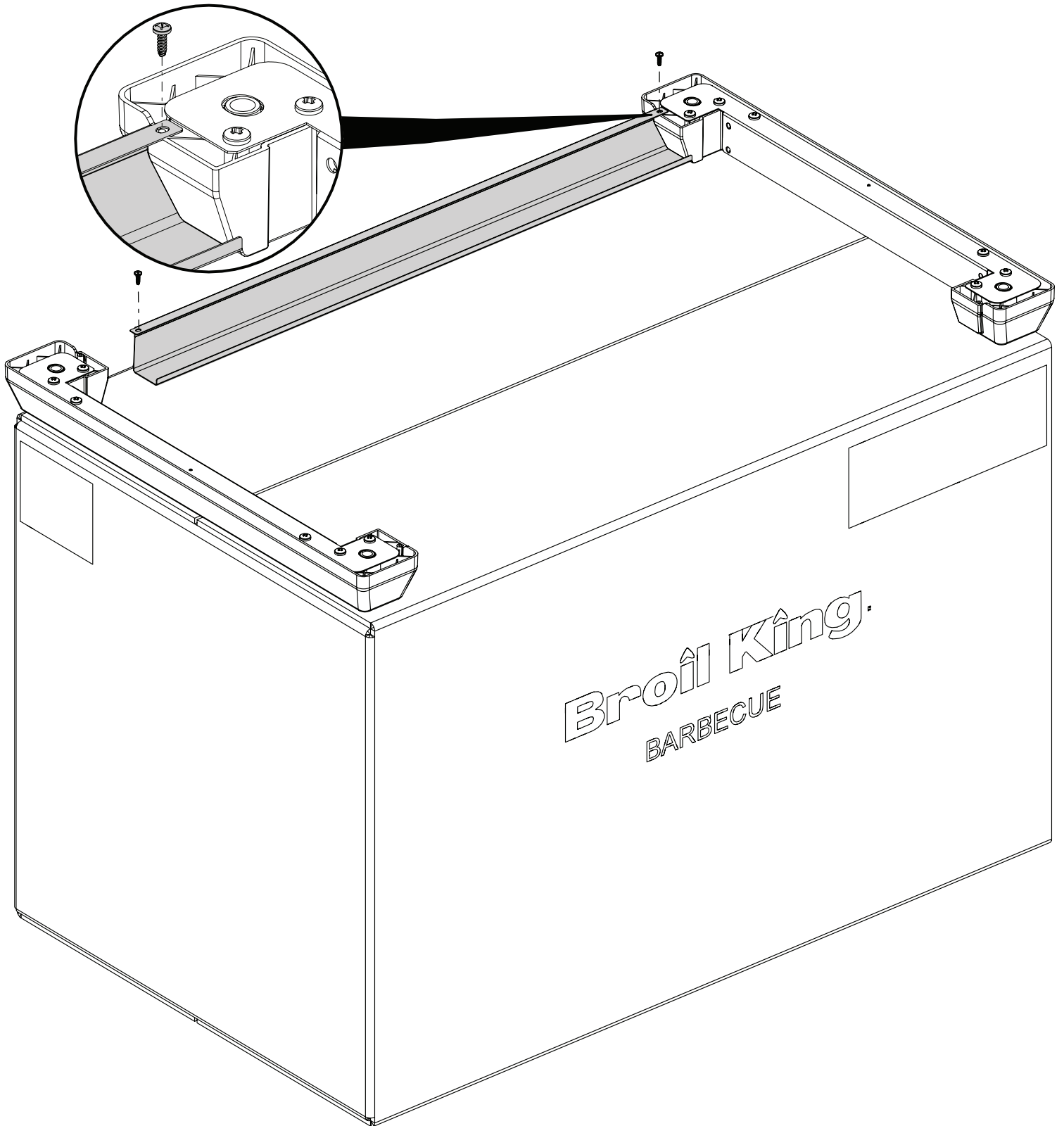


2



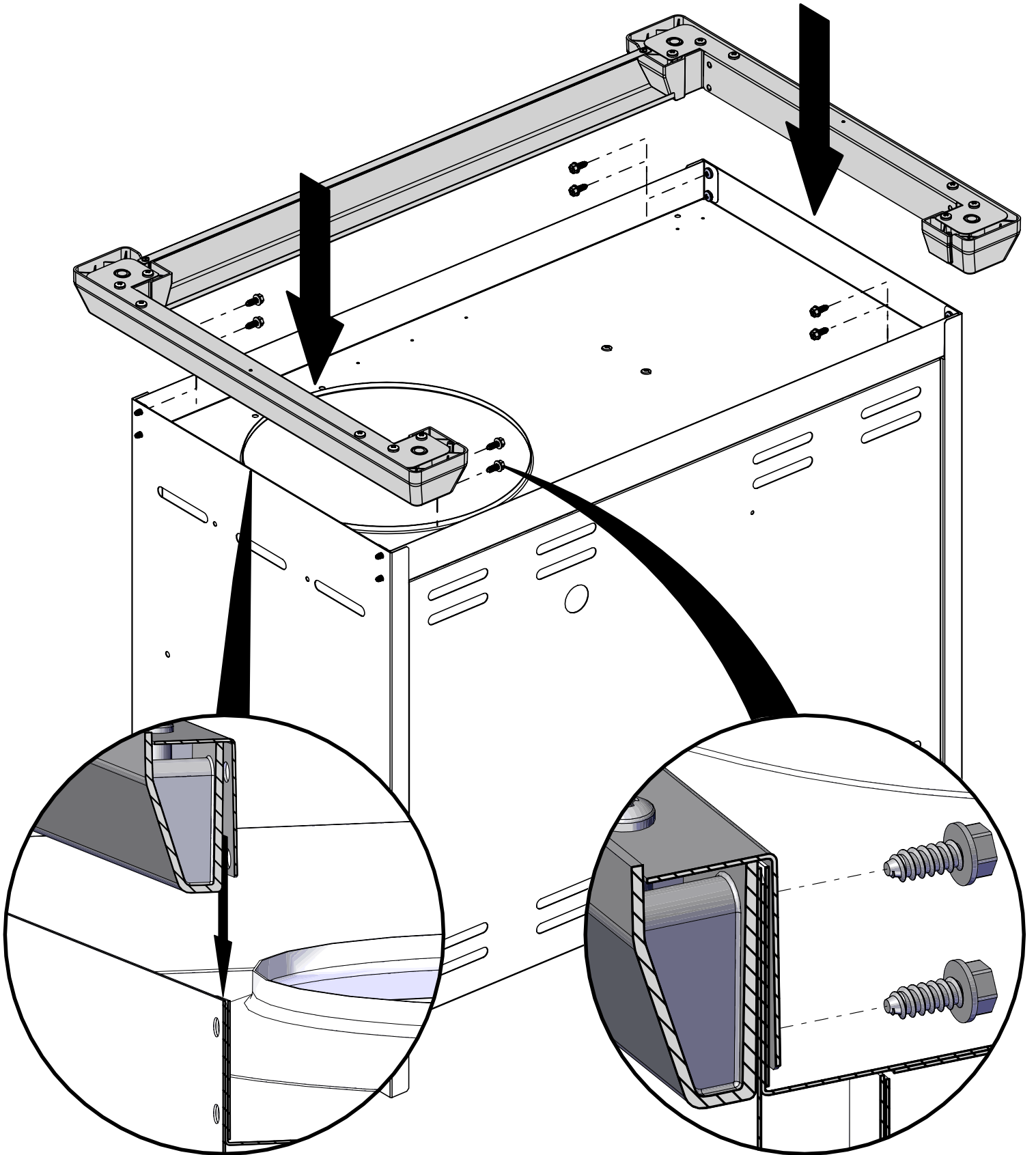
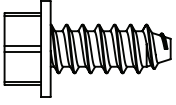
3

(2) 

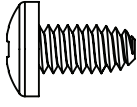
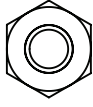


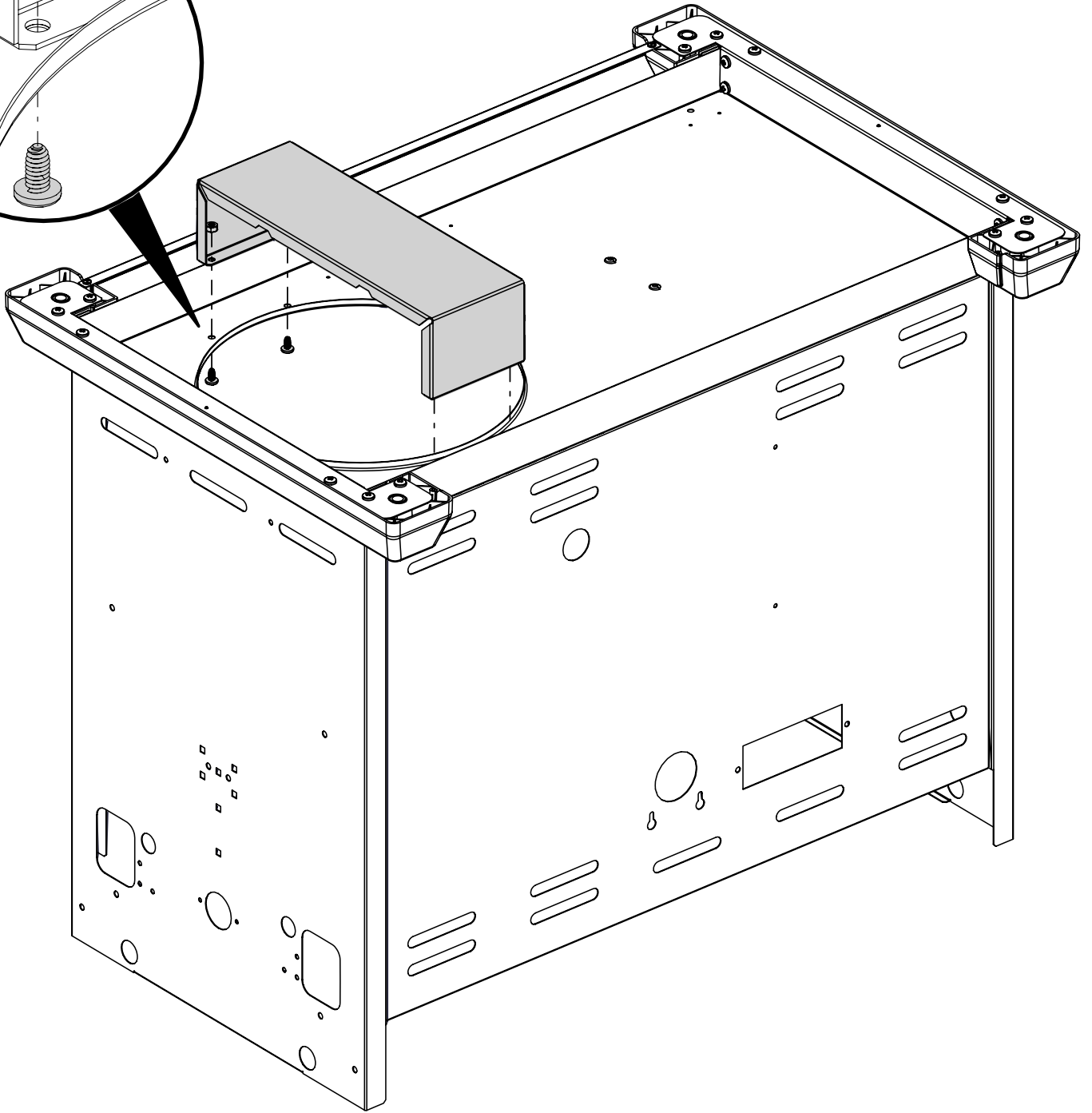
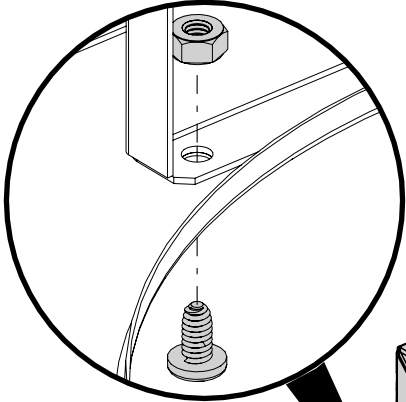
4

(8)

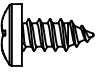


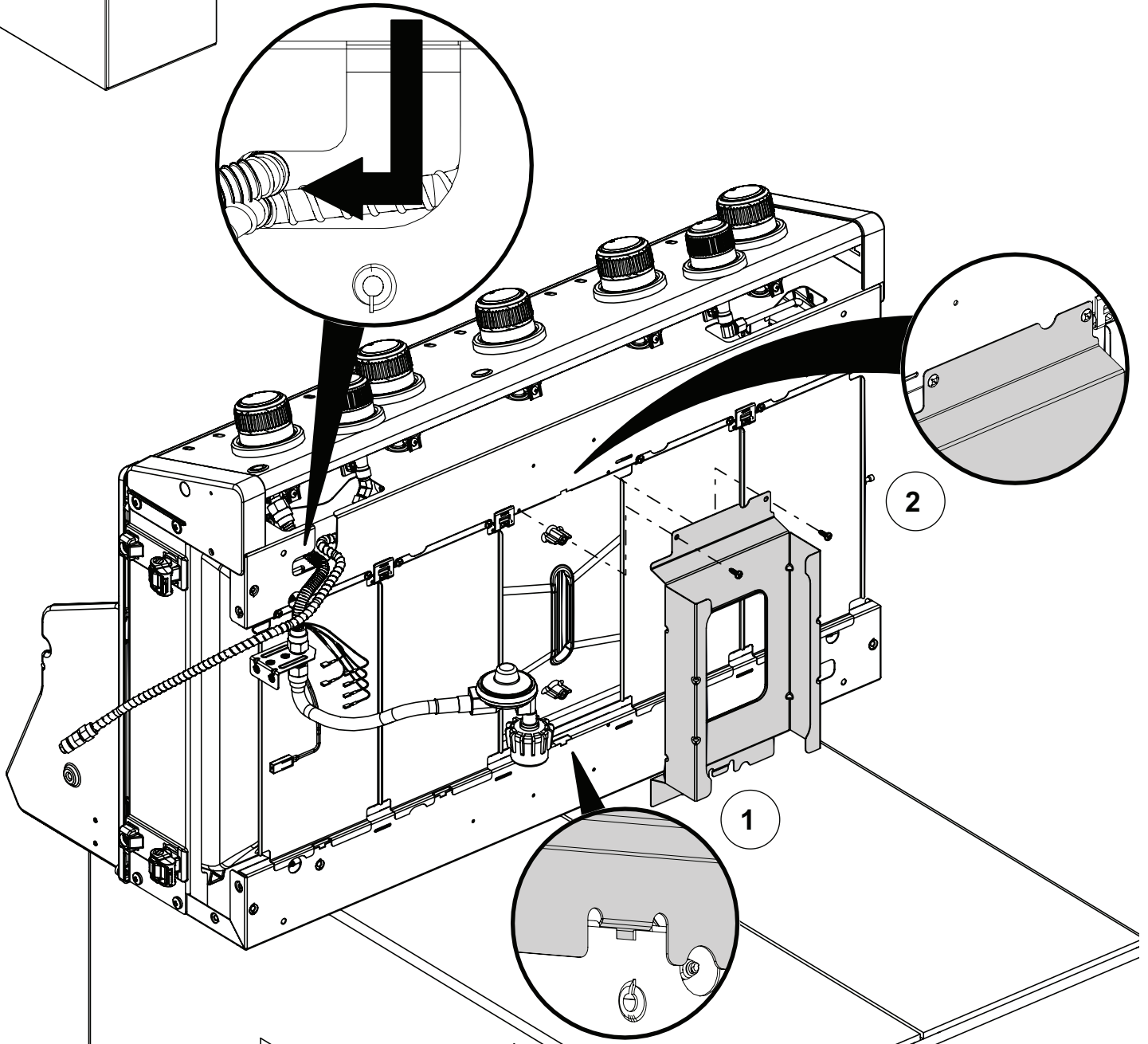
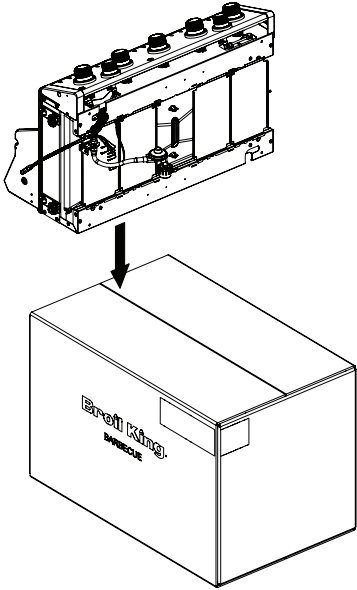
5

(4)  (4) 

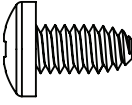


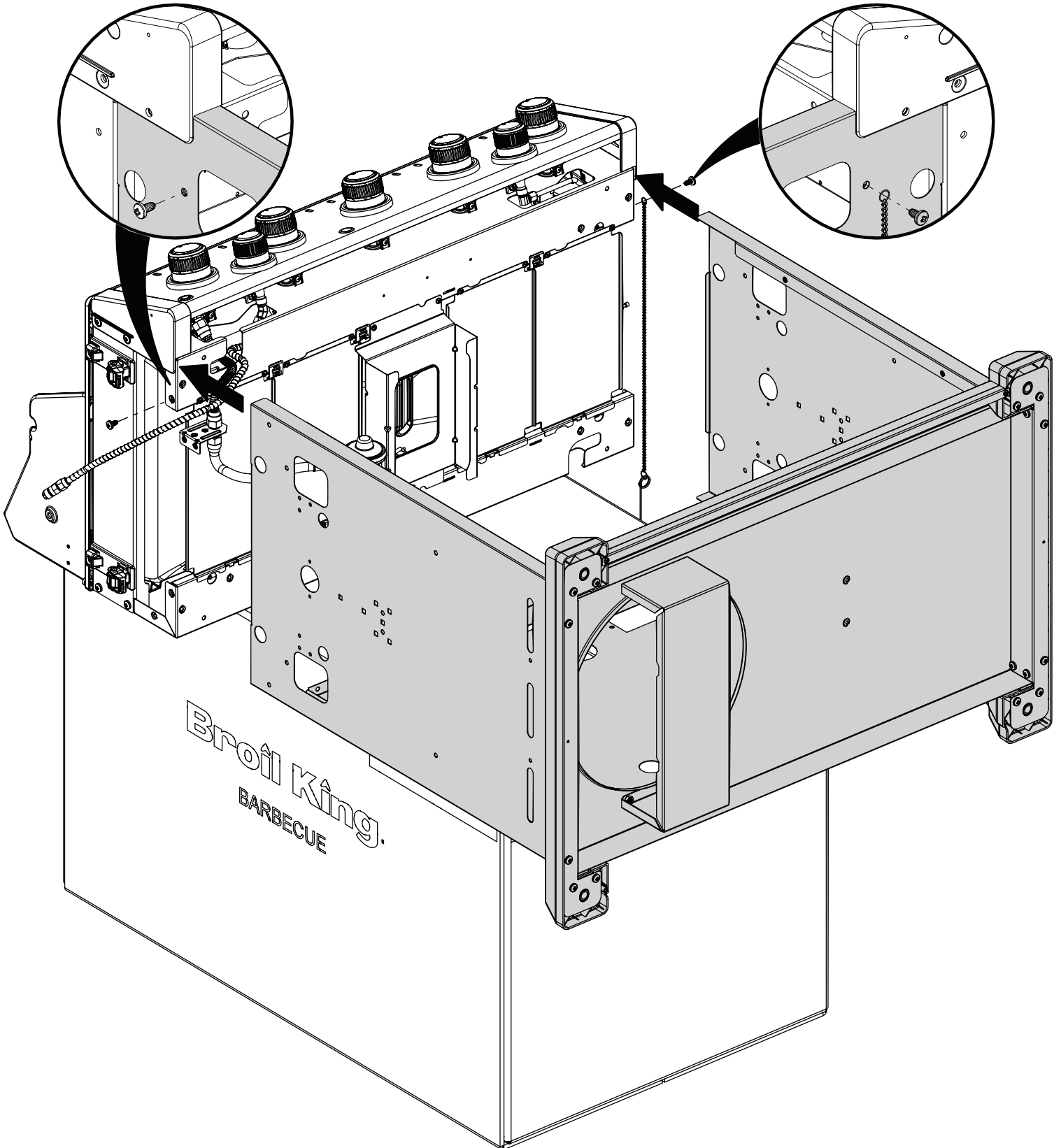
6

(2) 

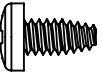


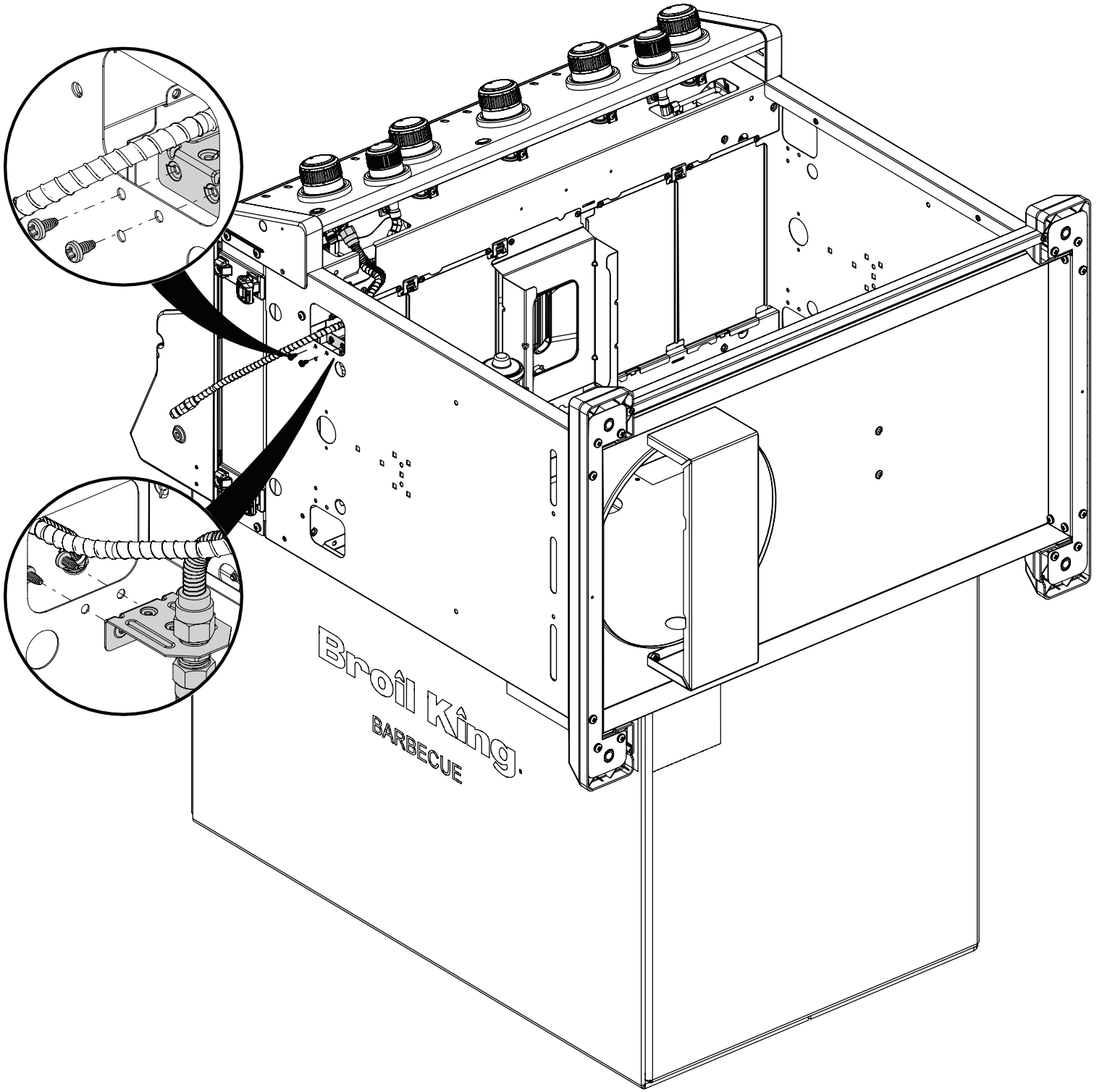
7

(2)  (1)




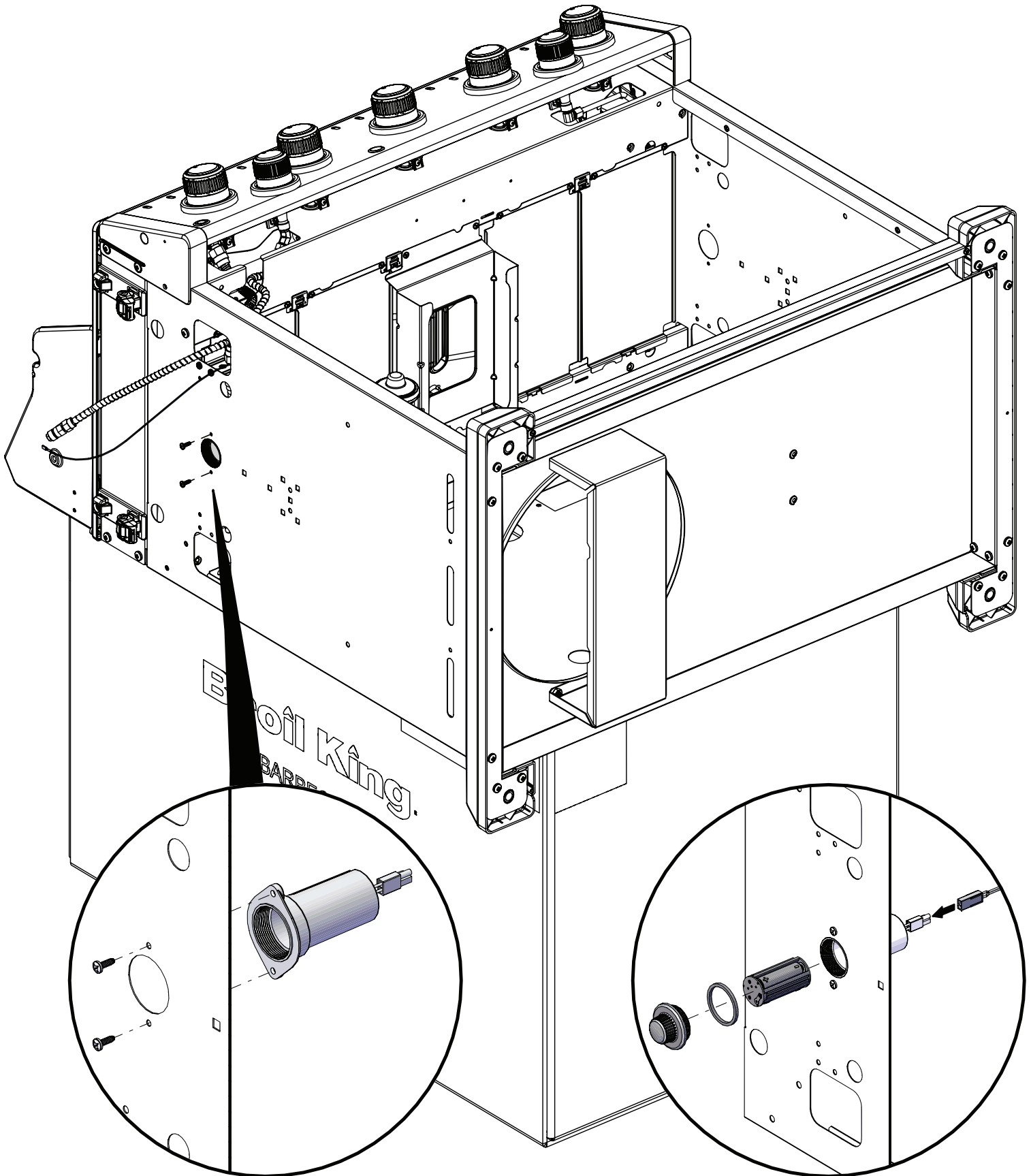
8

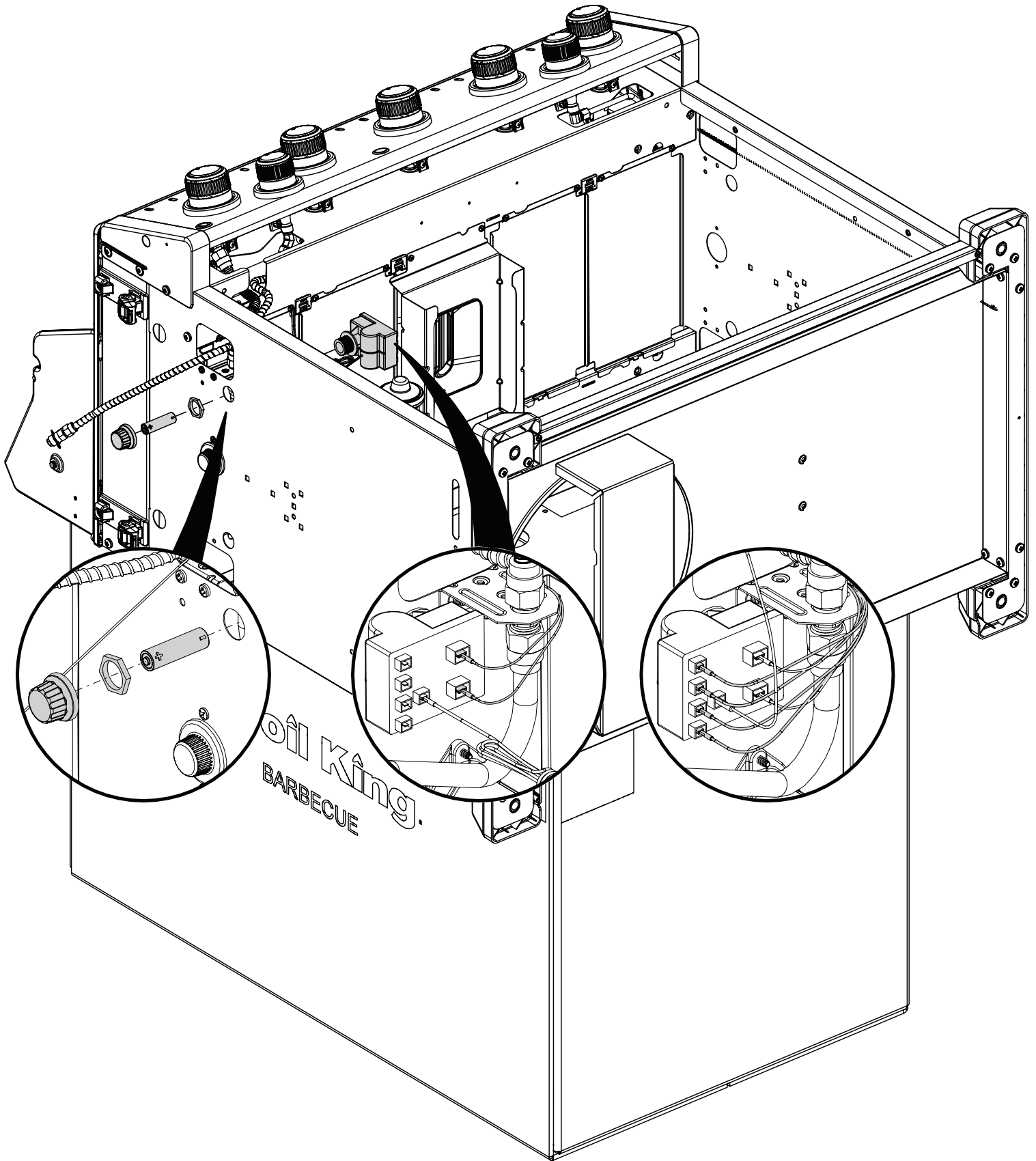
(2) 




9

(2) 



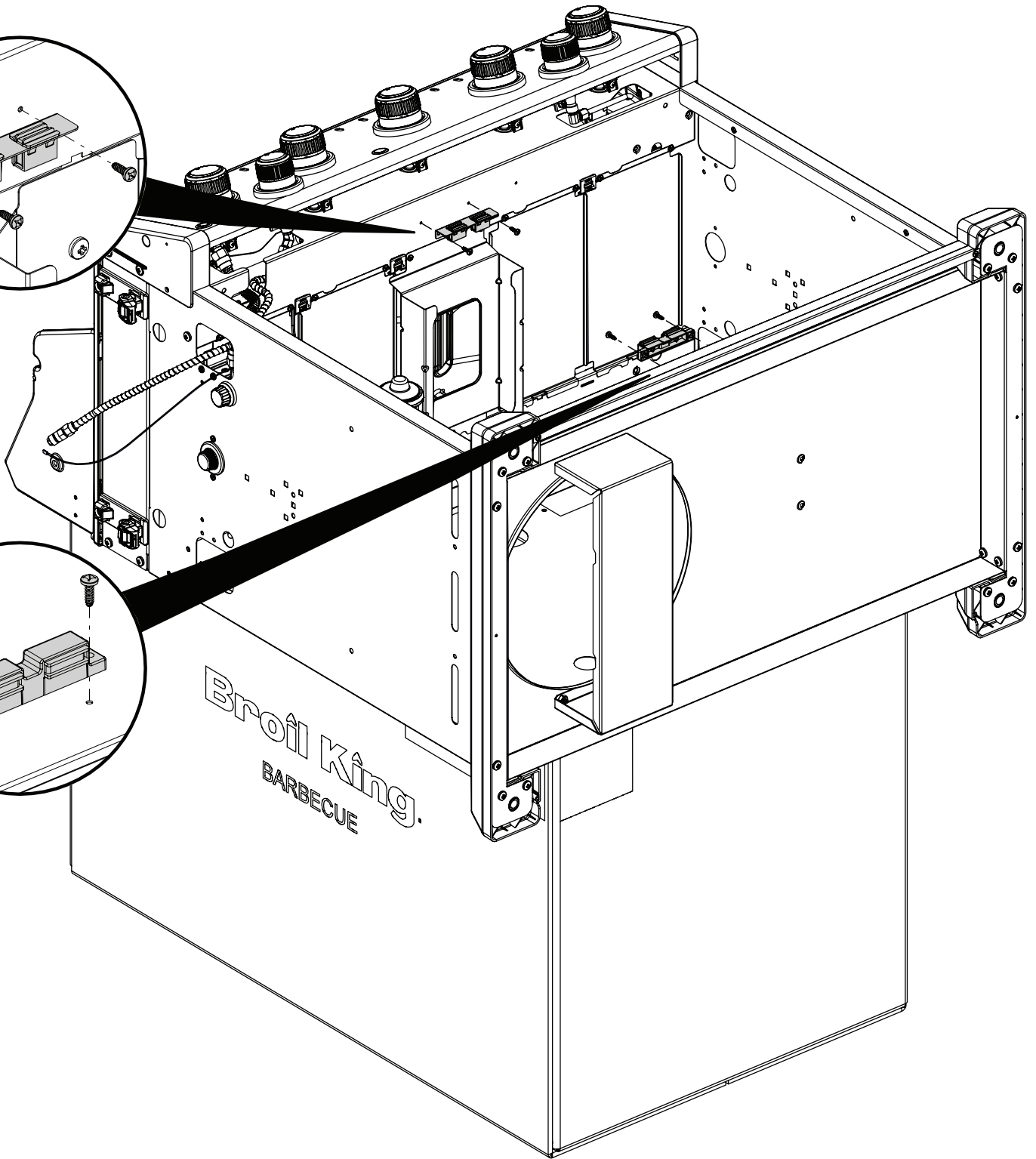
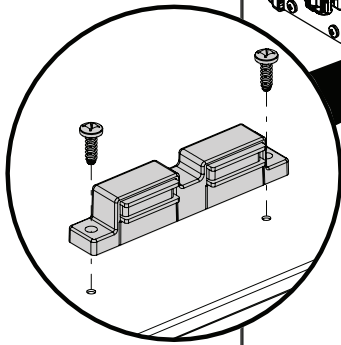
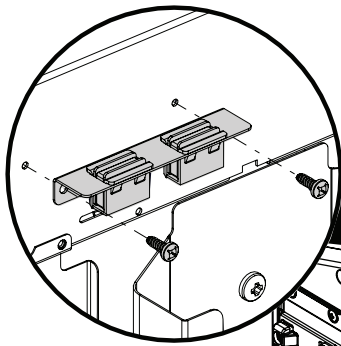
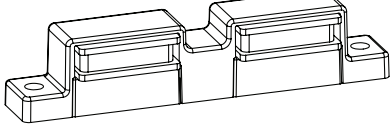
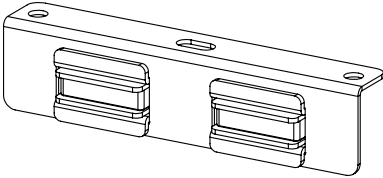


11

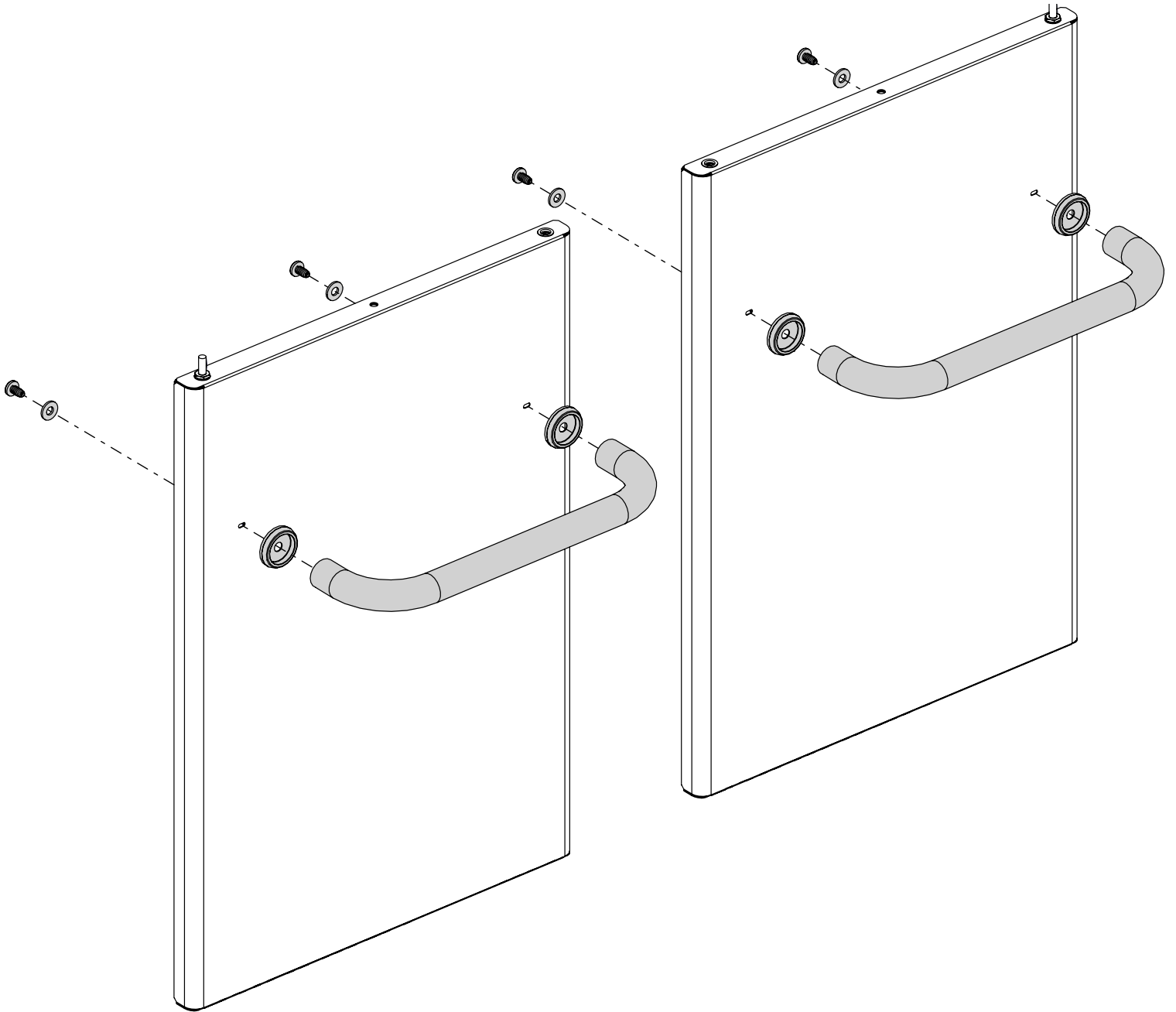
(4) 

(1) 

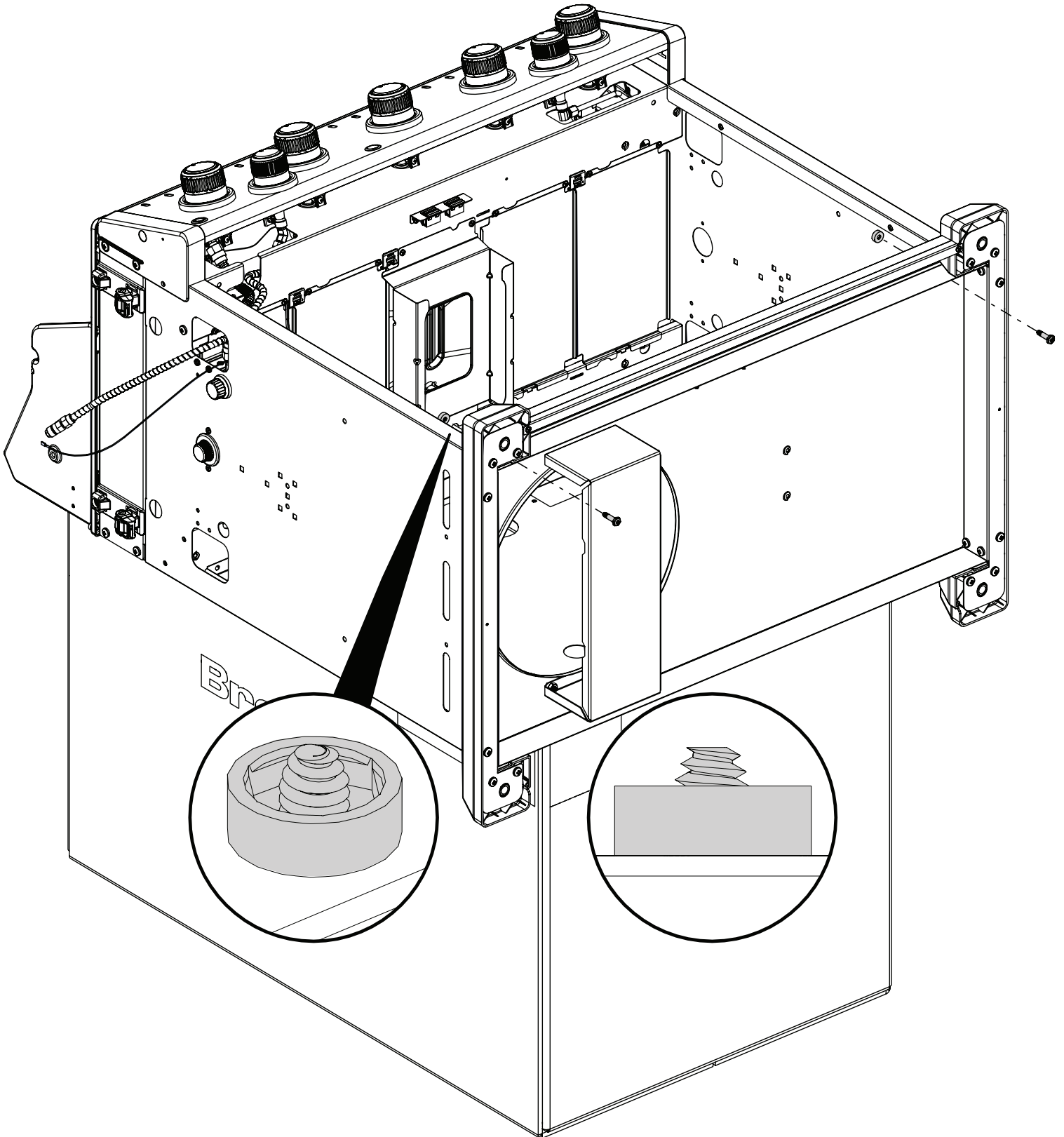
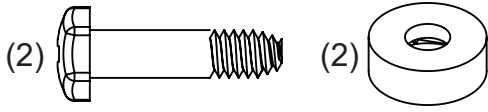
(1) 

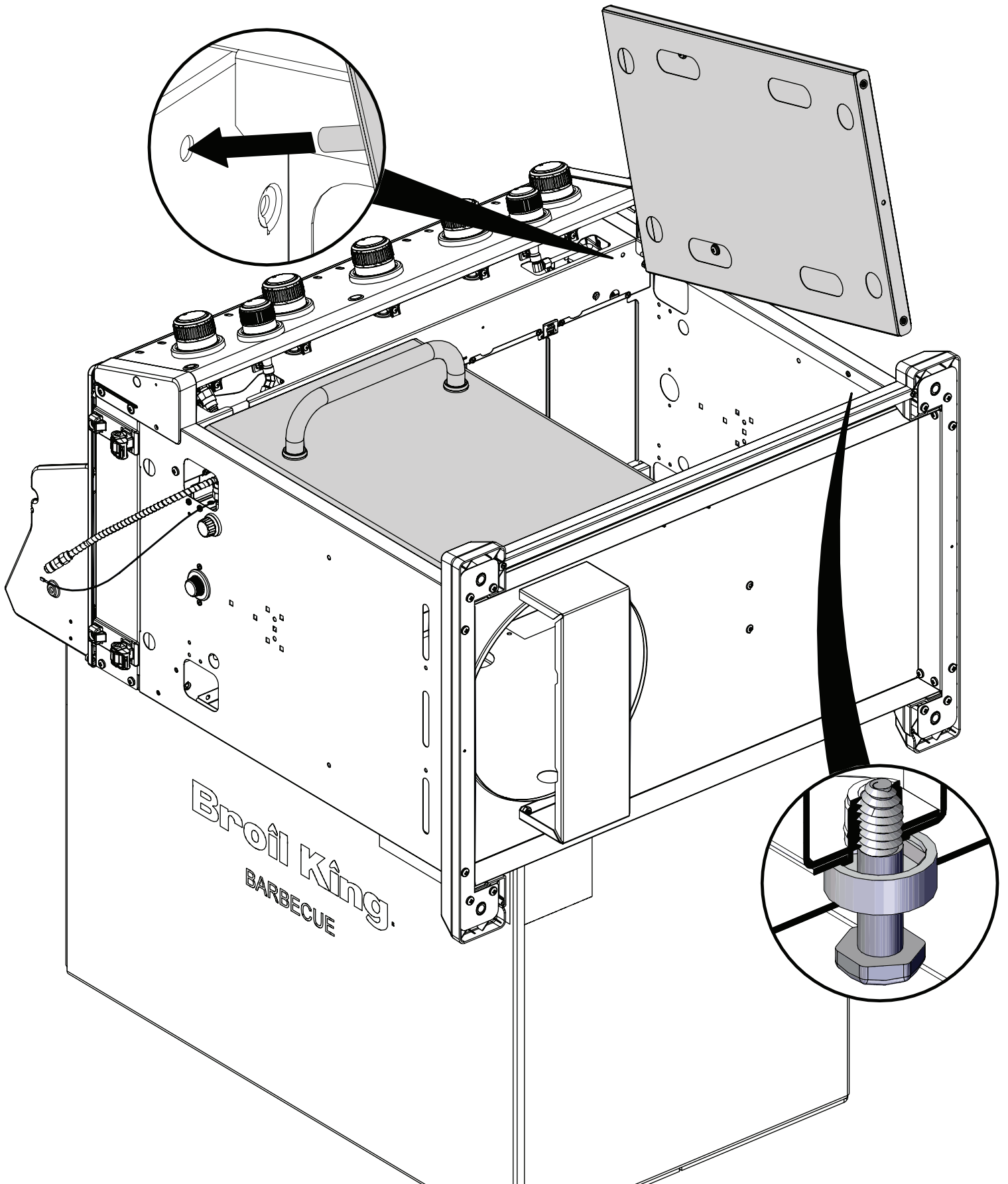


12



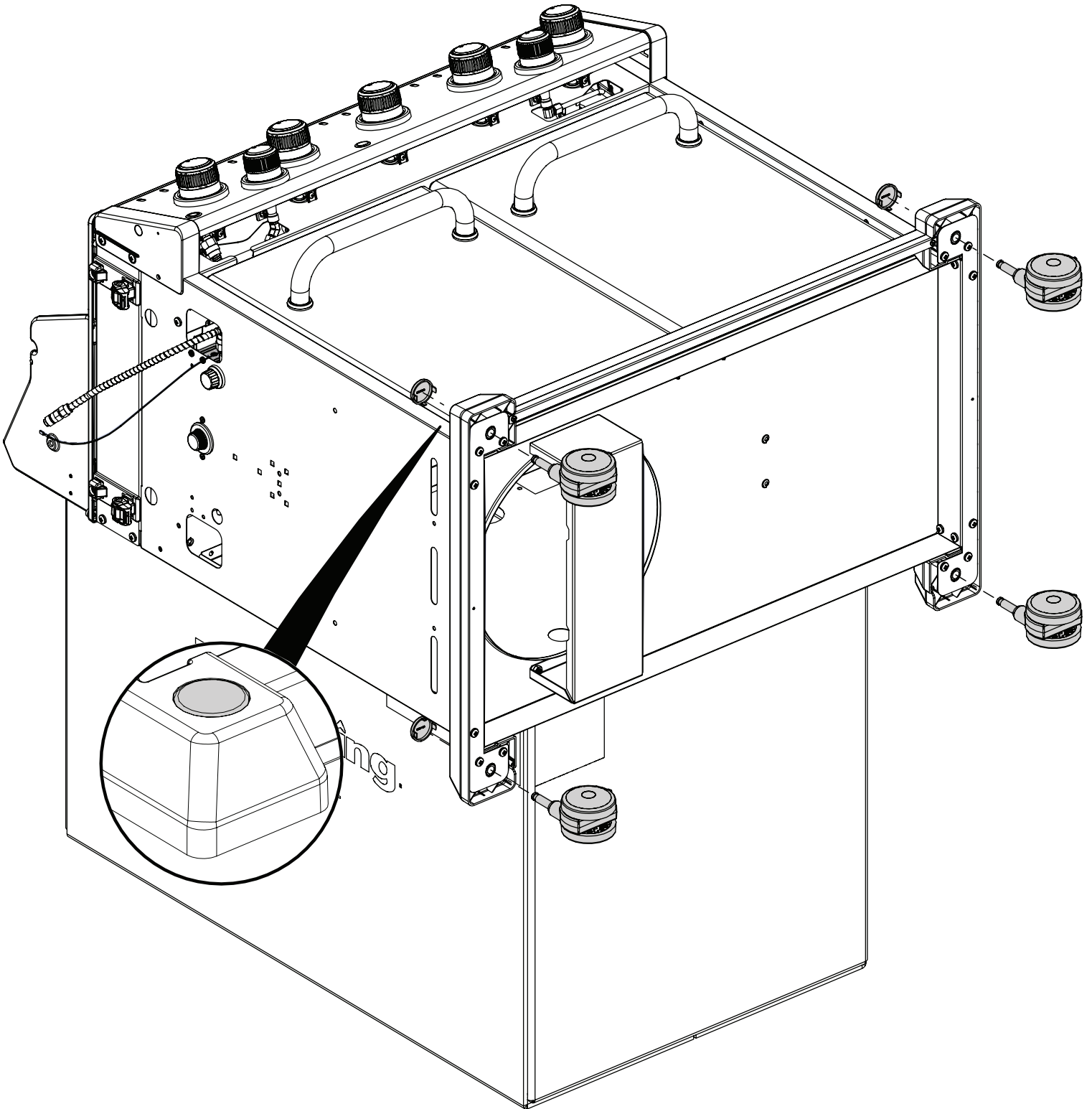
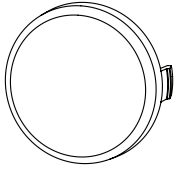
13

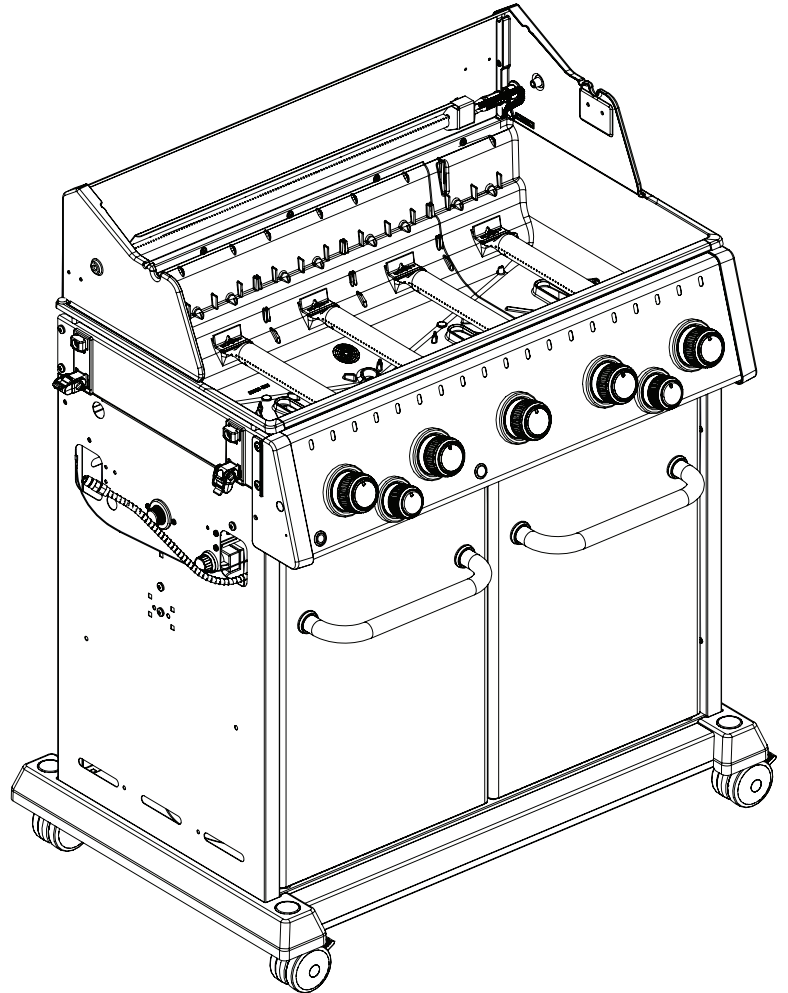
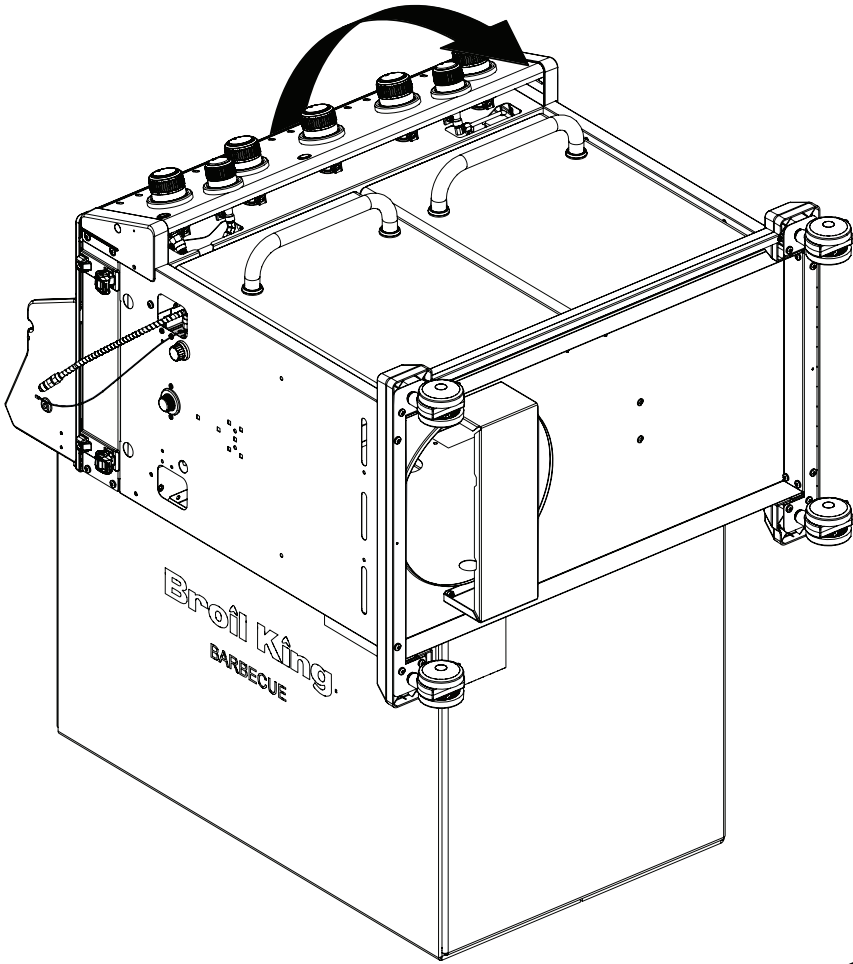




15

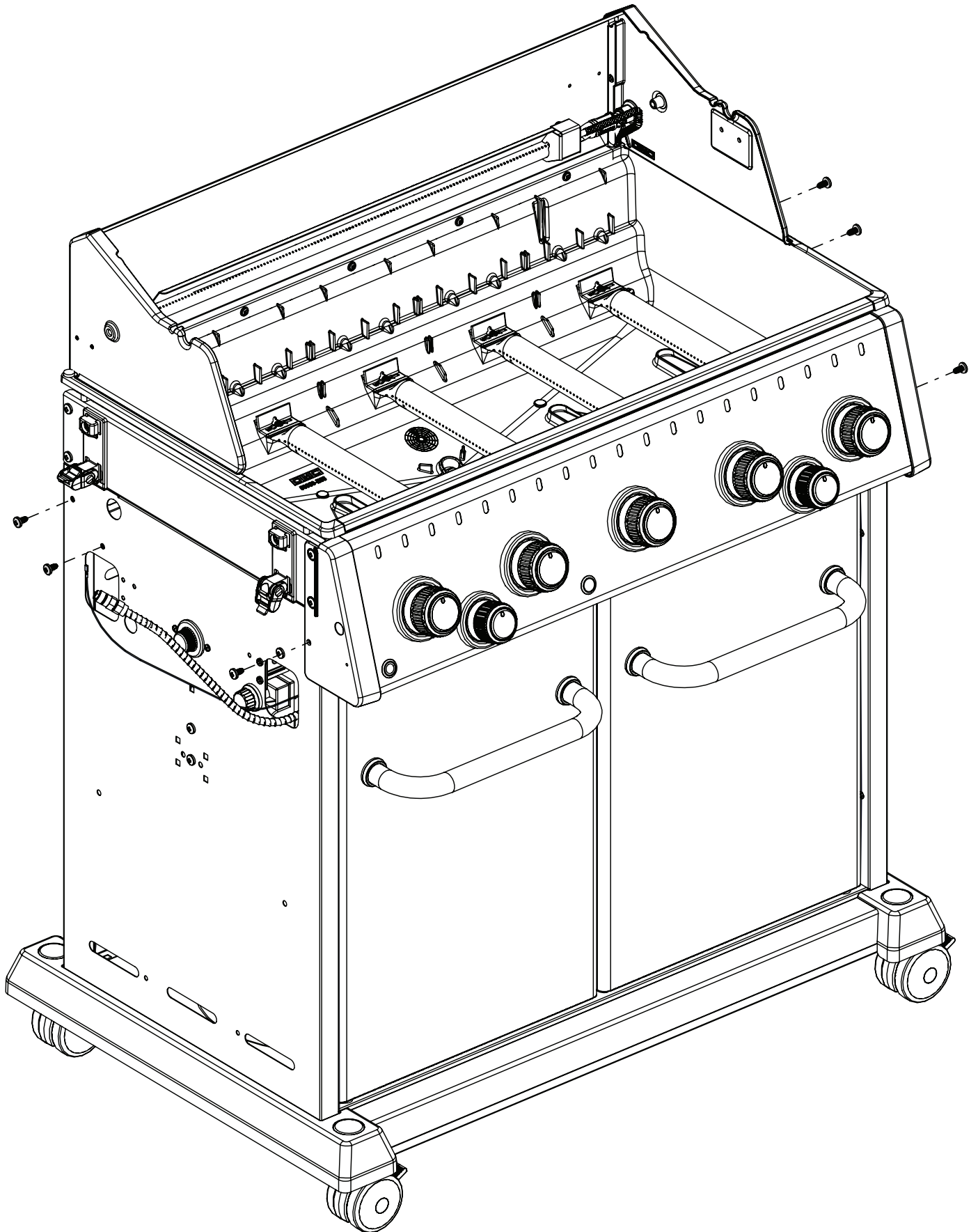
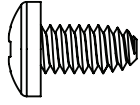
(4)

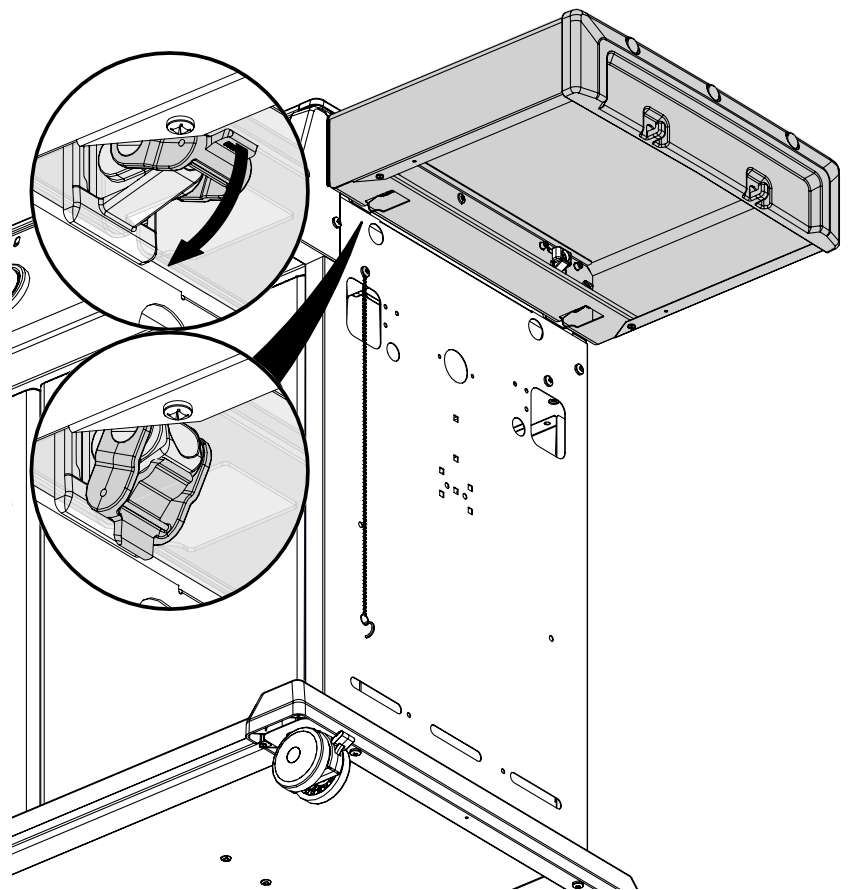
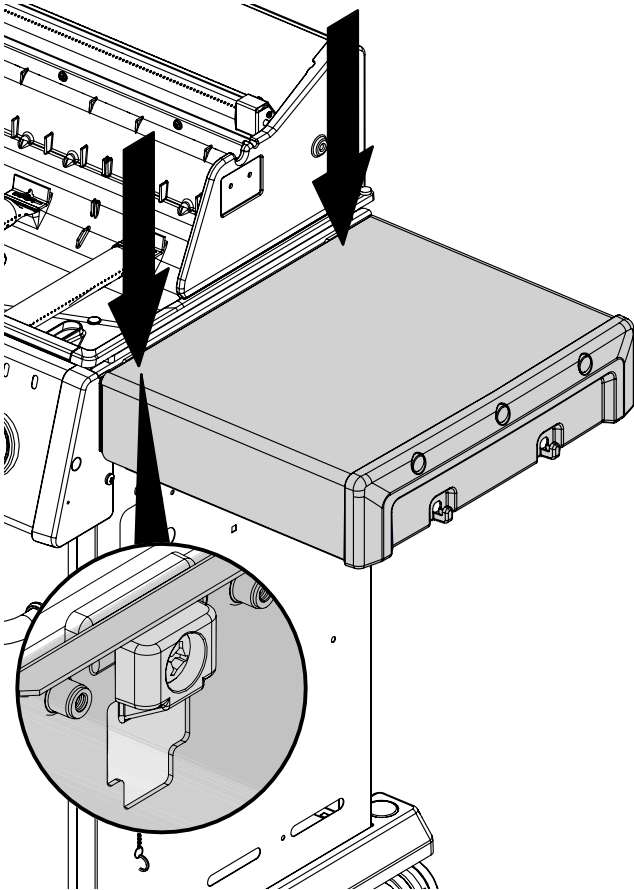
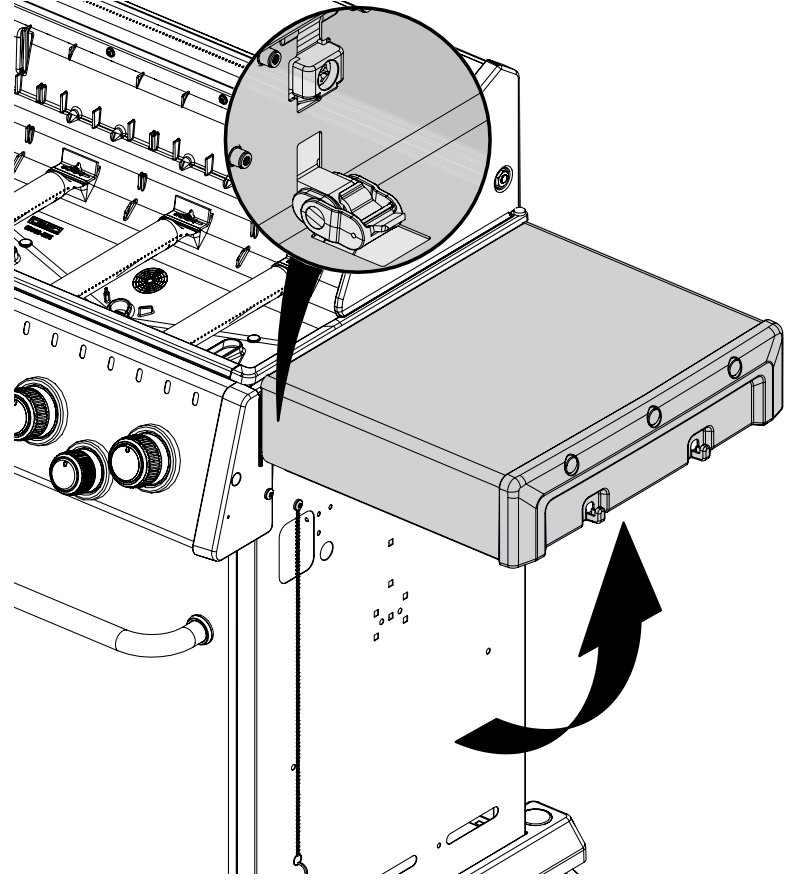
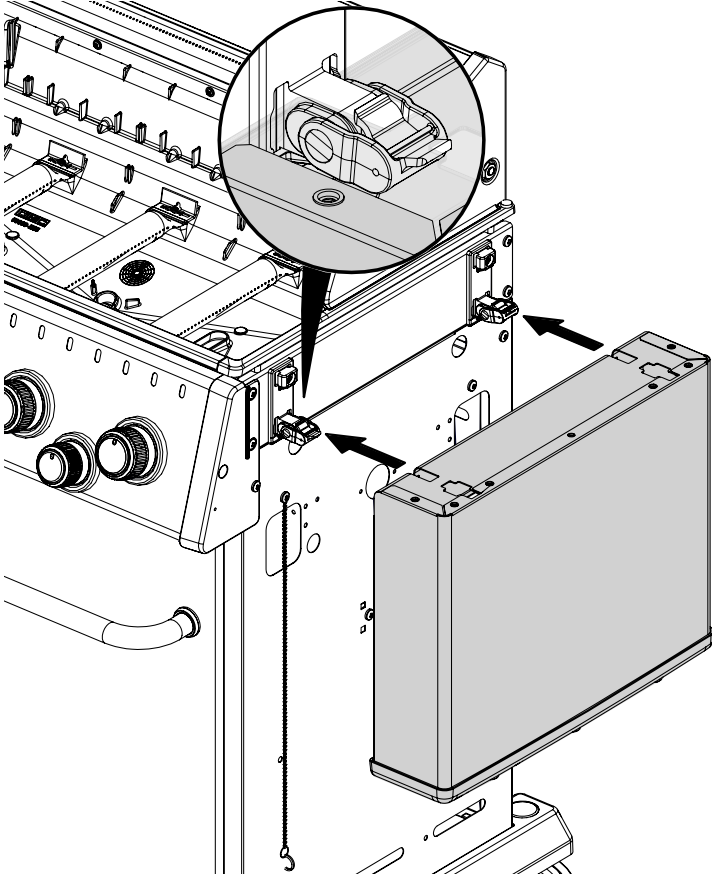




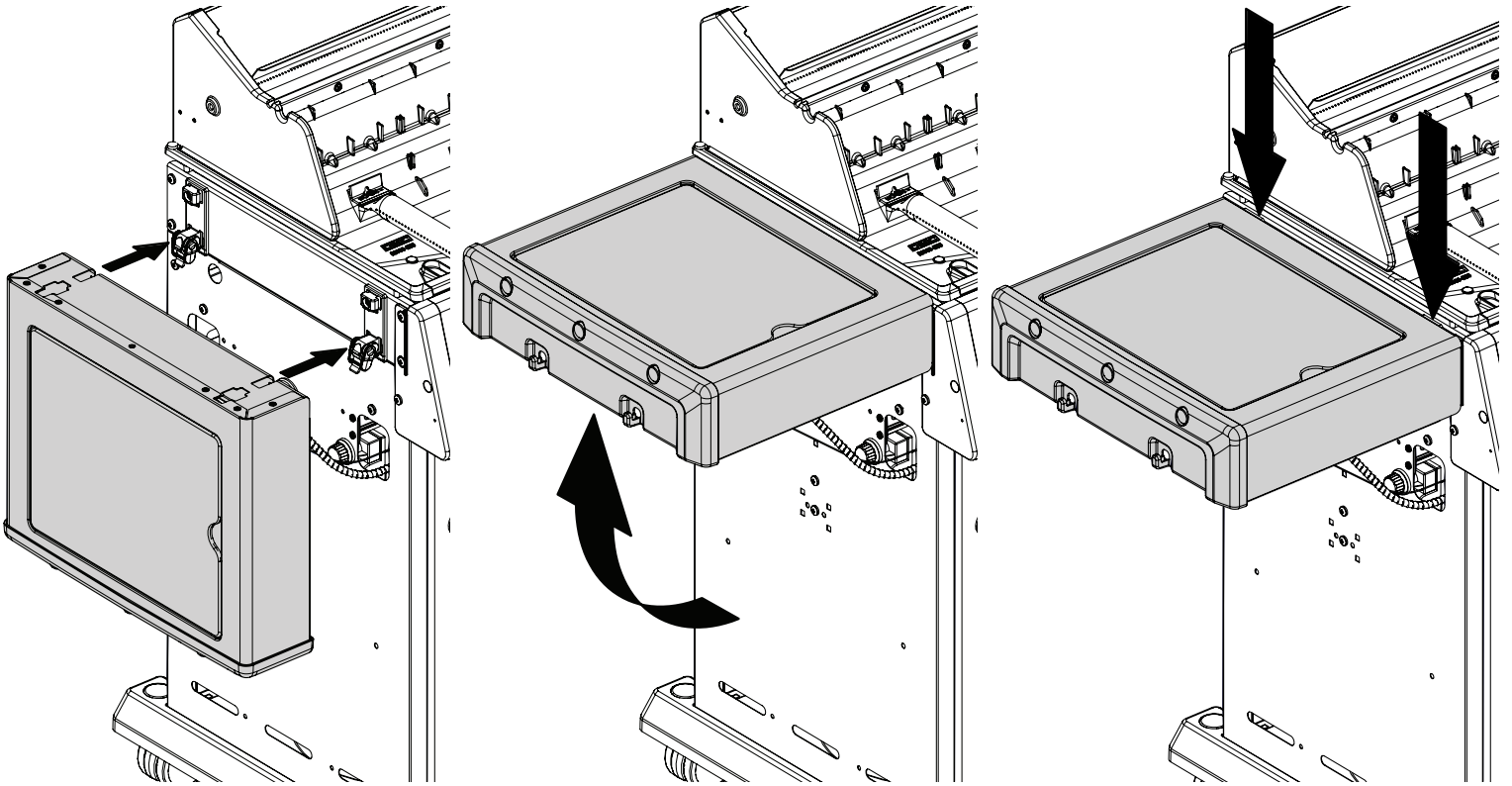
17

(6)

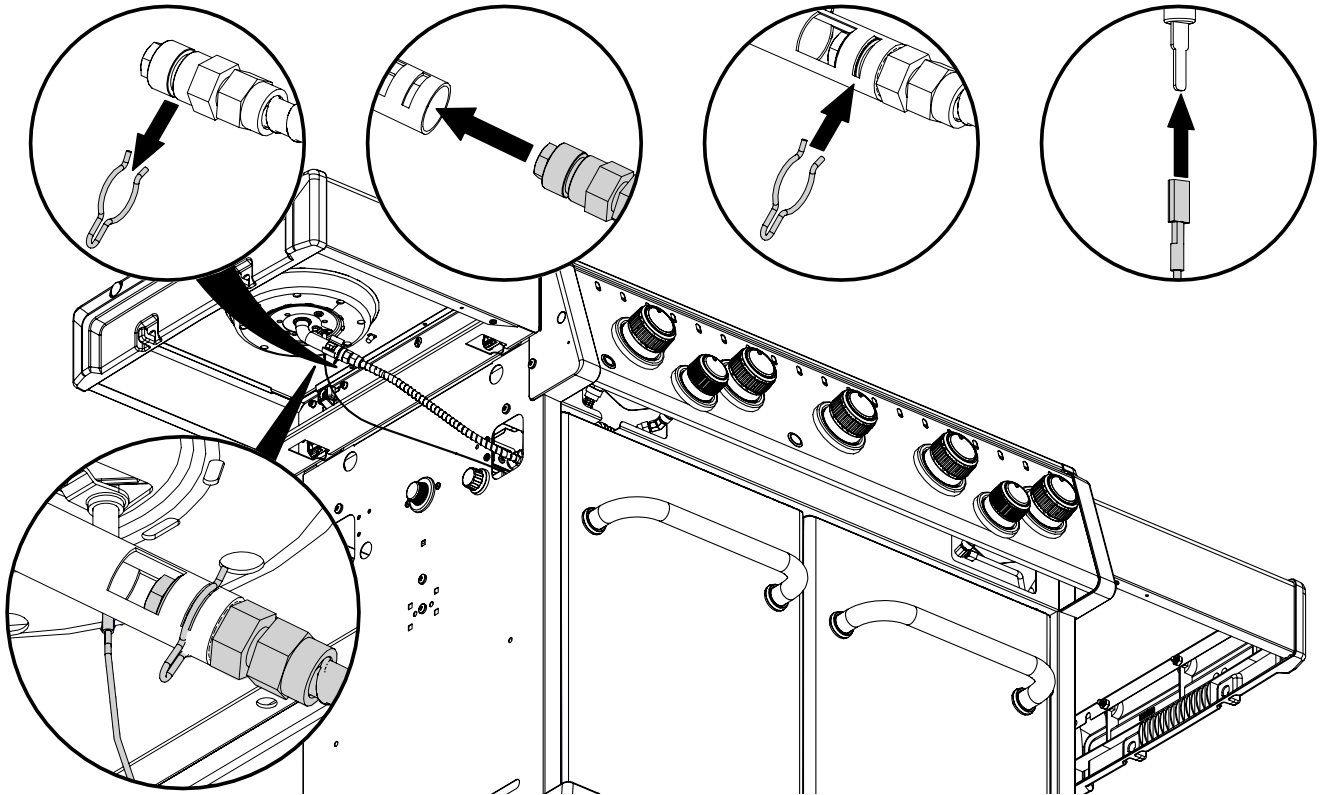
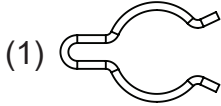


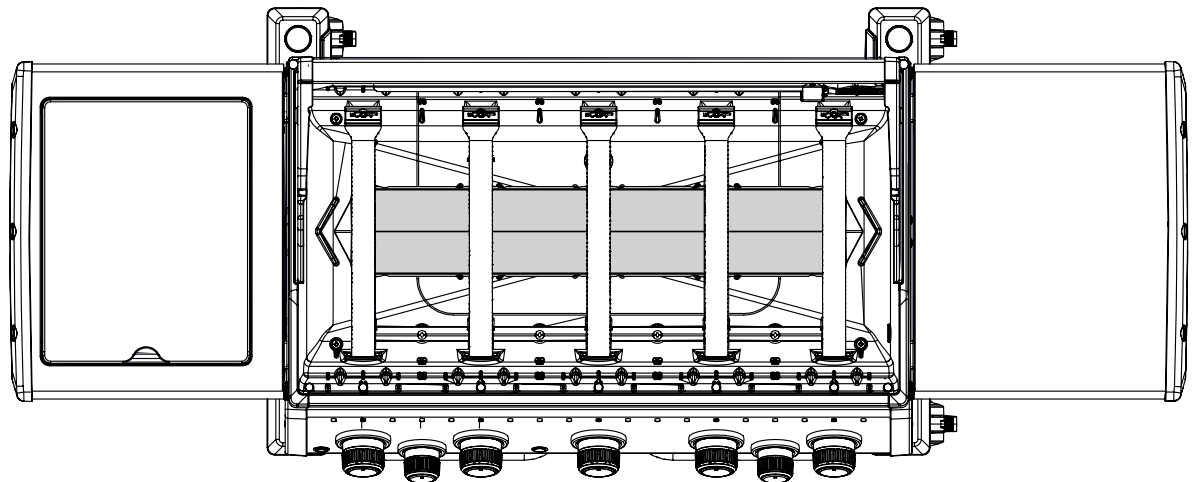
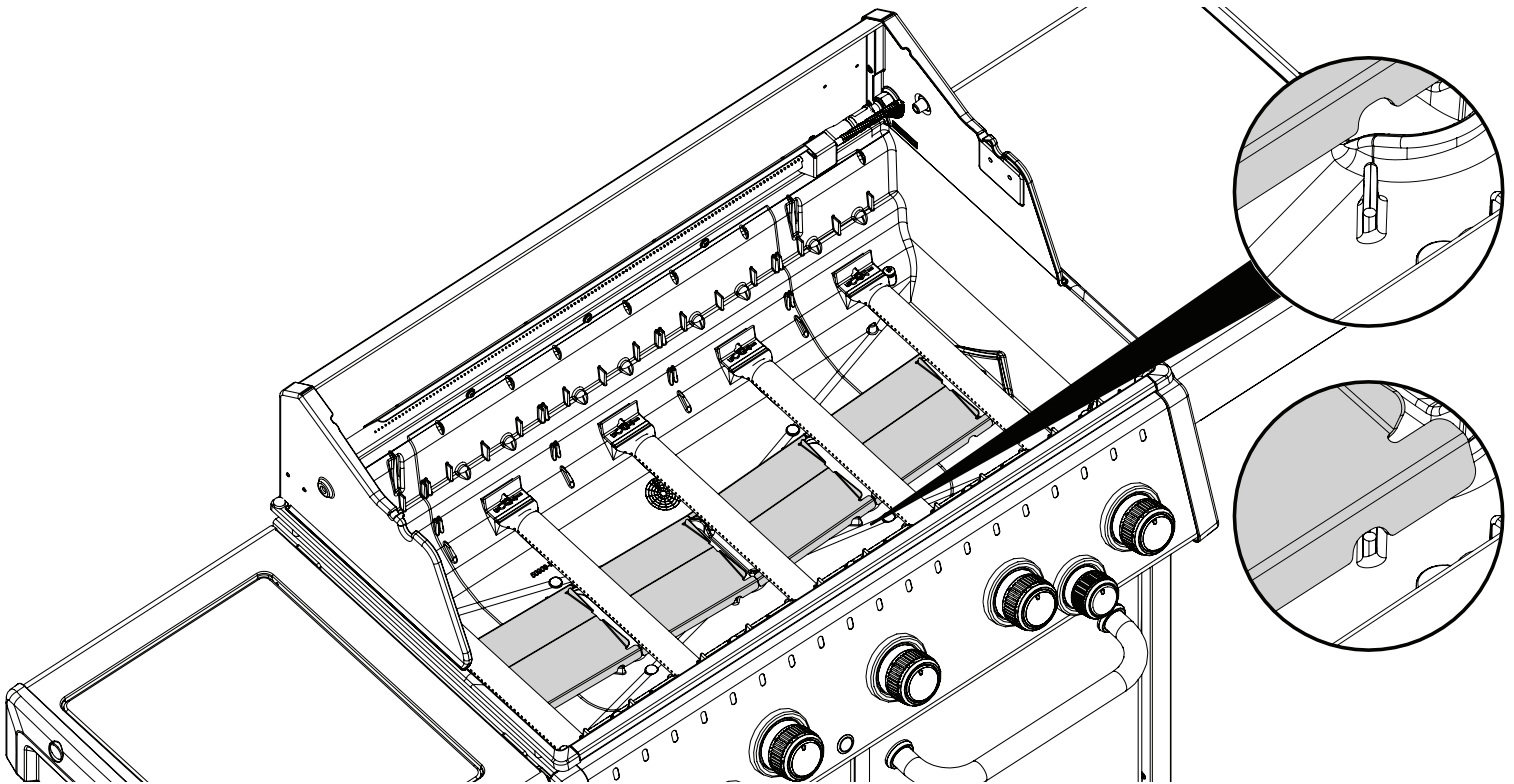
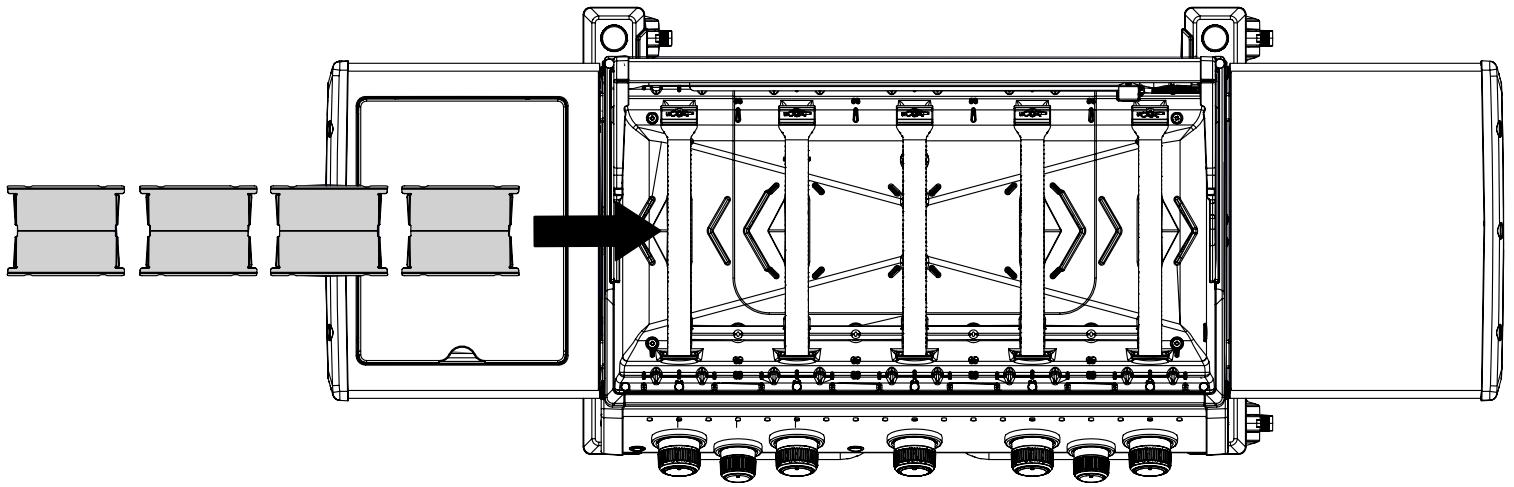


19

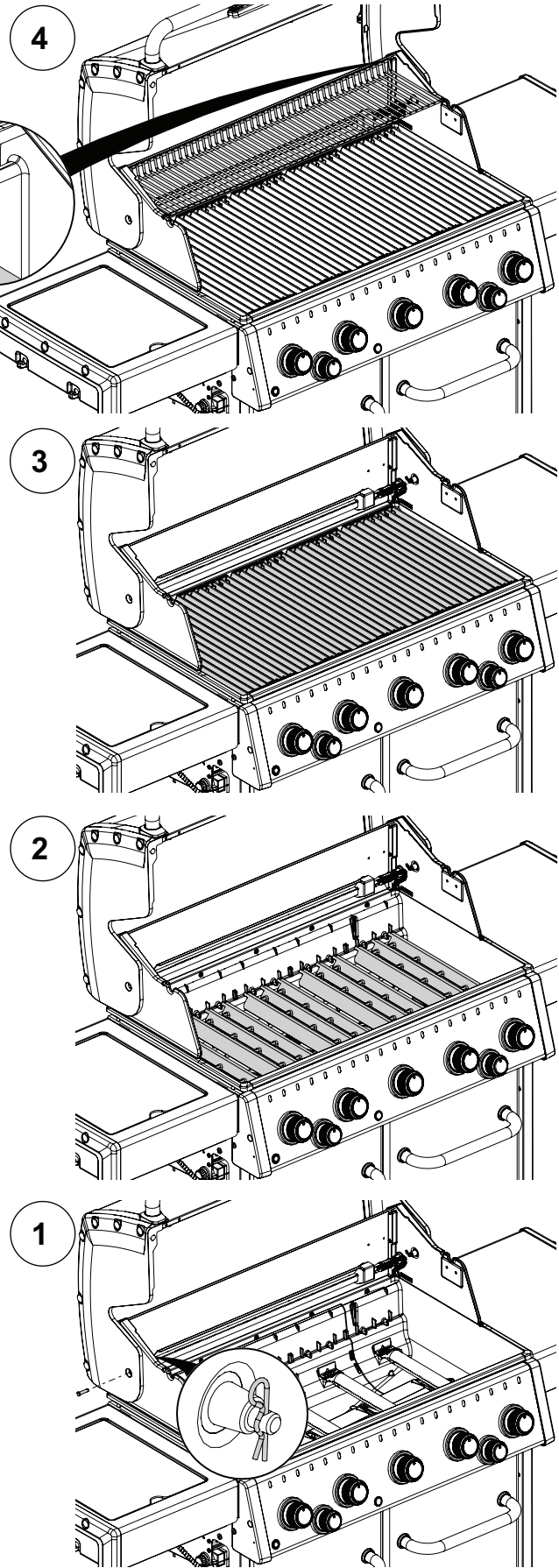
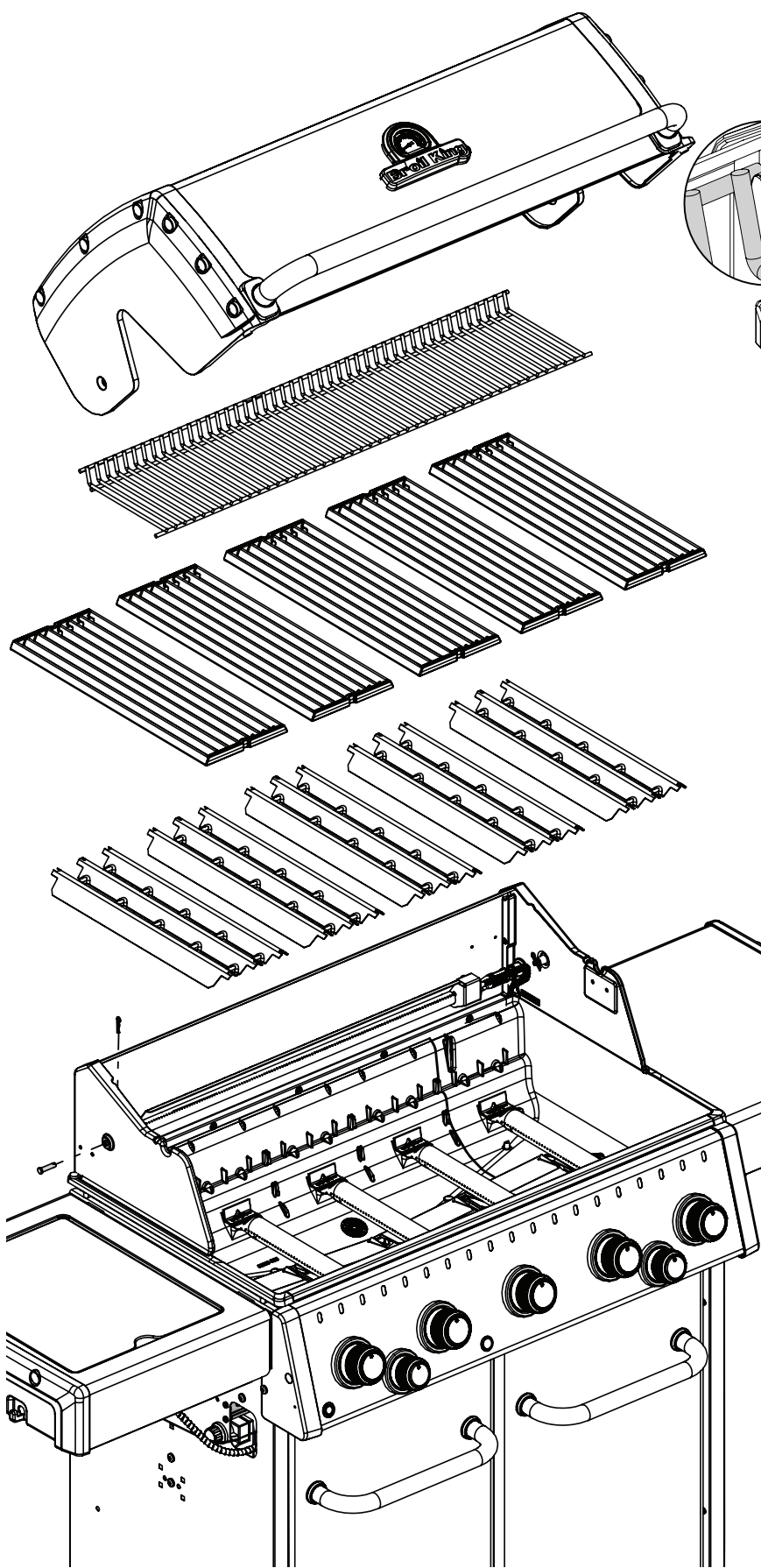
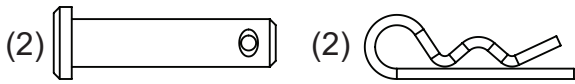


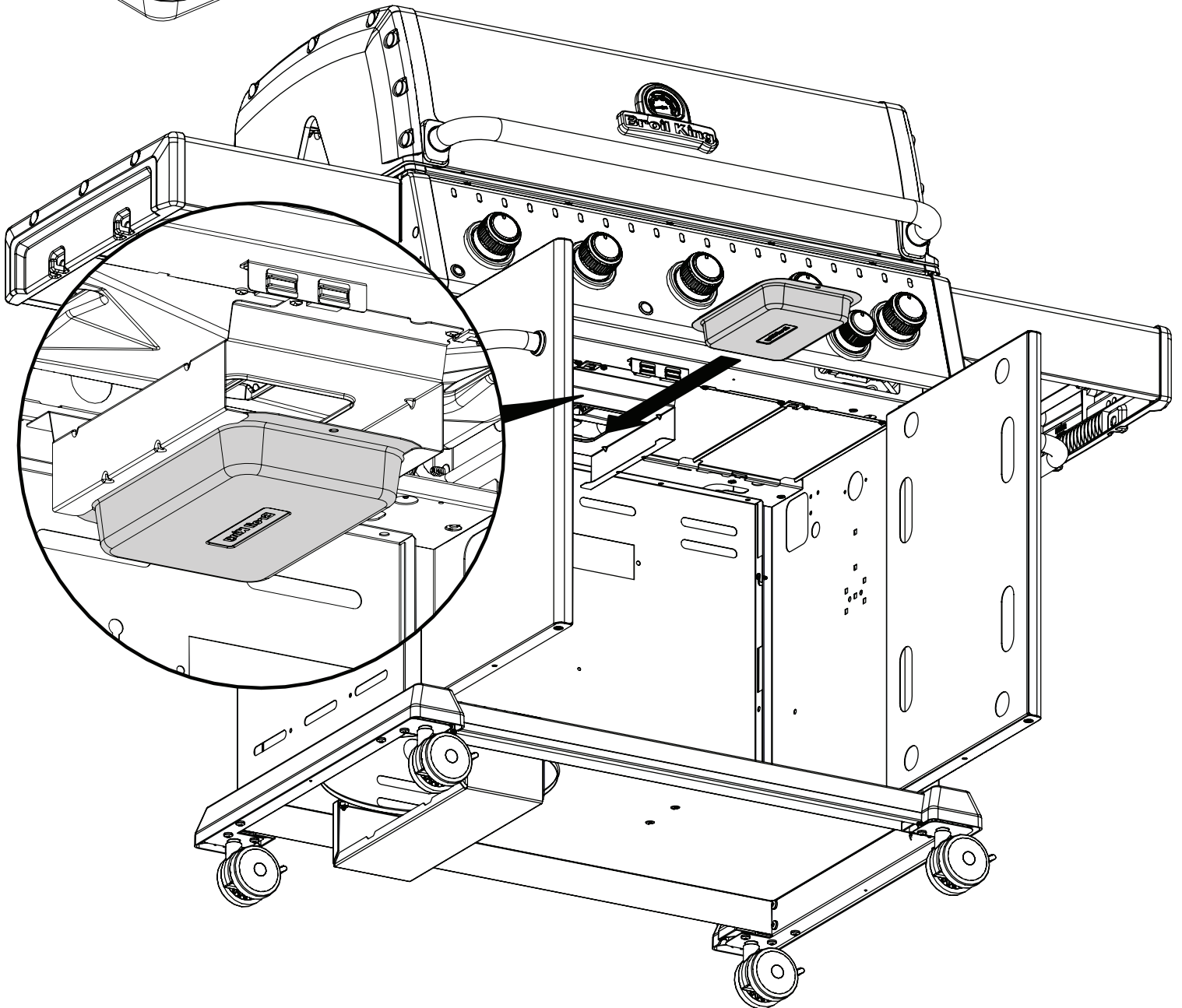
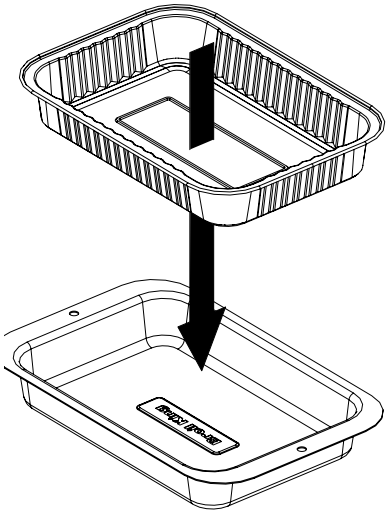
20



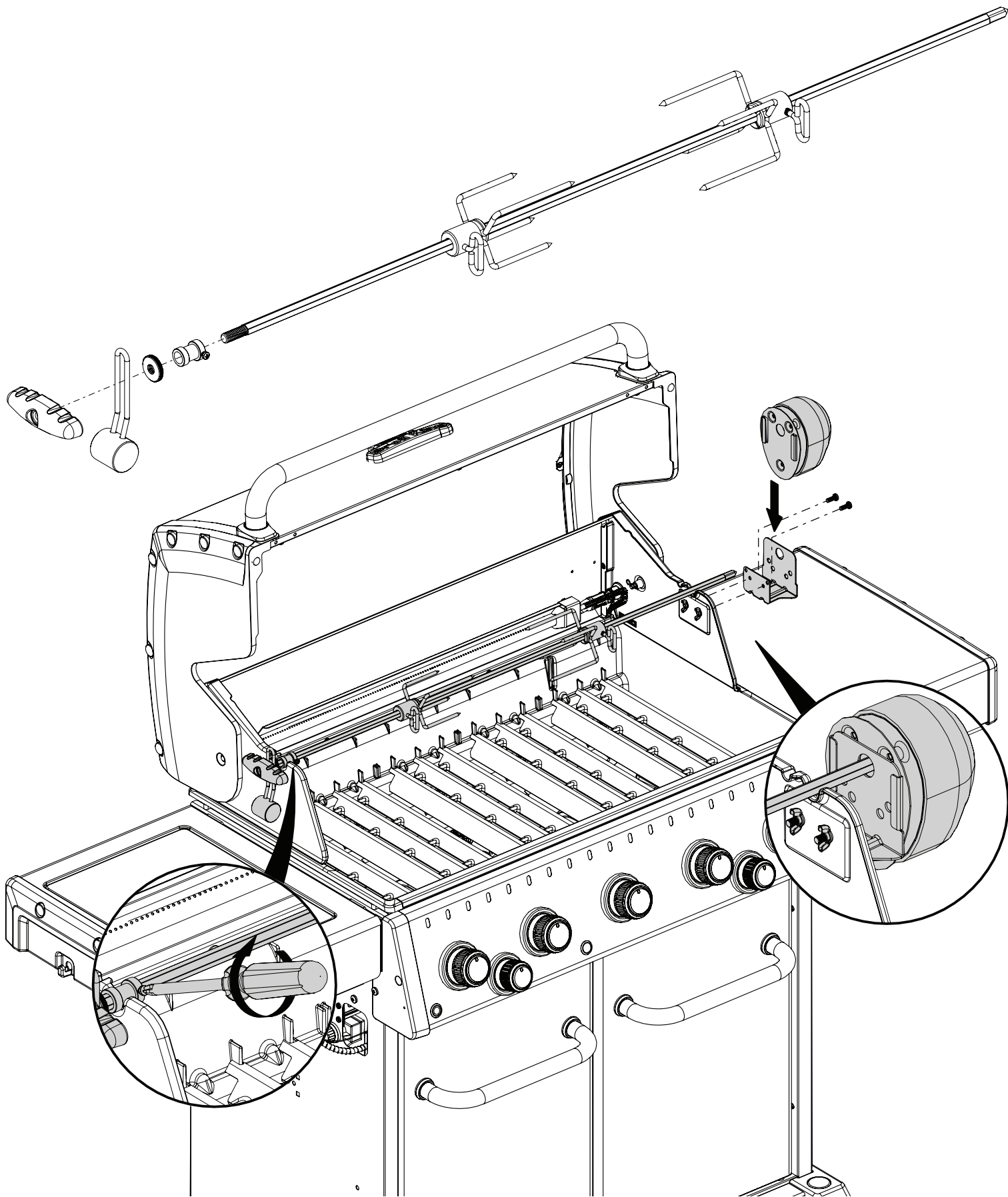


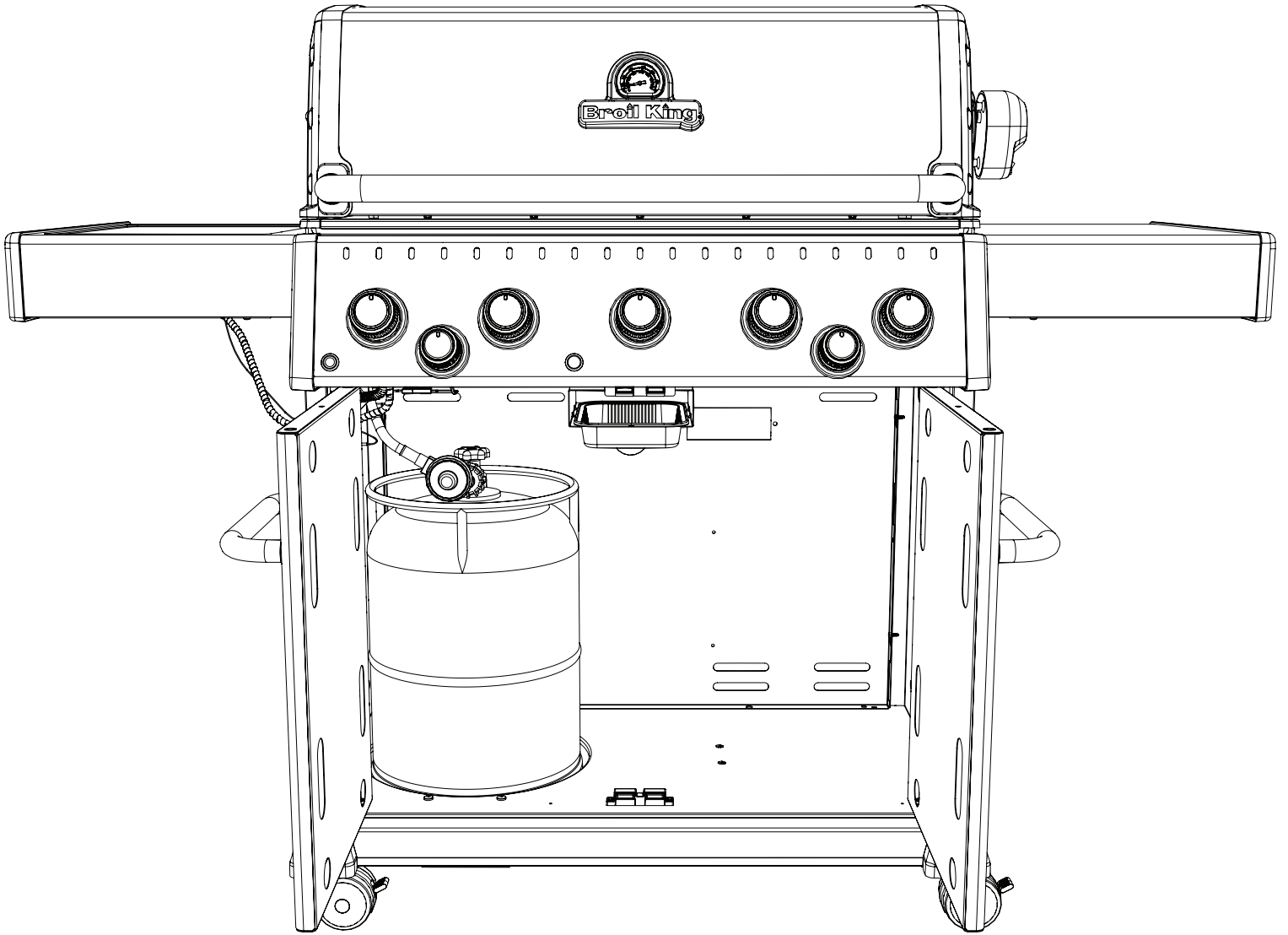
22





24





PARTS LIST

<u>KEY #</u>	<u>ITEM #</u>	<u>DESCRIPTION</u>	<u>8762-83NZ</u>
1	52006-107	FIREBOX ASSEMBLY	1
2	66006-301	LID ASSEMBLY	1
7	Y-11544S	SCREW - BURNER	5
8	S21242	BURNER CLIP	5
18	11241	COOKING GRIDS	5
19	11242	GRIDDLE	1
20	52006-992	WARMING RACK	1
21	59806-074	CONTROL ASSEMBLY	1
22	22026-903A	COLLECTOR BOX	1
24	10111-16A	CONNECTOR HOSE	1
25	18631	BURNER	5
26	22001-769	CONTROL KNOB	5
26A	22001-669	CONTROL KNOB	2
27	22002-264	CONTROL BEZEL	5
27A	22001-164	CONTROL BEZEL	2
28	52006-894	CONTROL COVER	1
31	52009-918	EDGE CAP - LH	1
32	52009-938	EDGE CAP - RH	1
34A	Y-11230	COTTER PIN	1
37	53139-908	SHELF BRACKET	4
38	Y-12620	SHELF LOCK CLIP	4
40	10111-HR06	HOSE AND REGULATOR	1
41	10342-E13	ELECTRODE	1
42	10342-E22	ELECTRODE	1
43	10342-E38	ELECTRODE	1
44	52006-007A	ELECTRONIC IGNITOR	1
44A	25070-925	WIRE - IGNITOR	1
44B	25070-93	BUTTON - IGNITOR	1
48	52004-007	GREASE PAN	1
49	51009-007	GREASE TRAY	1
50	52060-101	GREASE TRAY SUPPORT	1
51	18431	FLAV-R-WAVE ®	5
52	52149-004	GREASE SHIELD	4
56	24006-12A	HANDLE	1
58	54009-936	BEZEL	2
59	10081-BK630	NAMEPLATE	1
60	18013	HEAT INDICATOR	1
62	53409-138	SHELF END CAP	2
65	20005-000	MATCH LIGHT - STICK	1
68	51276-211A	DOOR	1
69	51276-231A	DOOR	1
70	21106-13	HANDLE	2
71	21070-13	BEZEL	4
78	56039-214A	MAGNET BRACKET	1
80	51189-101A	SIDE PANEL	2
82	51606-104	BASE TRIM	1
87	Y-11793	NUT 1/4-20	10
88	21306-921	PANEL - REAR	1
90	51626-131	BASE	1
99	32001-151	CASTOR BRACKET CAP	4
100	51639-108	CASTOR BRACKET	2
102	10892-286	CASTOR	4
103	21039-301	TANK BRACKET	1
113	10342-T14	SIDE BURNER ELECTRODE	1
114	53150-614	SHELF - RIGHT	1
115	53150-654	SHELF - SB - LEFT	1
123	Y-12117	BUSHING	2

PARTS LIST

<u>KEY #</u>	<u>ITEM #</u>	<u>DESCRIPTION</u>	<u>8762-83NZ</u>
124	23000-271	SIDE BURNER BODY	1
125	23000-253	SIDE BURNER COVER	1
126	10390-R81A	SIDE BURNER	1
128	23009-951	GRID	1
129	Y-11990	HEX NUT	1
130	27906-354	BURNER ROTISSERIE	1
133	S15278	ROTISSERIE HARDWARE	1
137	S15259	SPIT ROD	1
138	S15287	4 PRONG FORKS	2
139	20006-000	ROTISSERIE BRACKET	1
141	Y-11559	BOLT 1/4-20 X 1	2
142	S21125	SCREW #8 X 1/2	8
145	S21235	HINGE PIN	2
146	S21233	HITCH PIN CLIP	2
147	Y-11231	LID BUMPER	4
148	10240-20	DOOR PIN	2
149	Y-11551	SHOULDER SCREW 1/4-20 X 1	2
150	Y-12124	DOOR PIN CAP	2
151	Y-12857	WASHER	4
152	Y-12229	MAGNET	1
153	Y-12223	MAGNET - PUSH IN	2
155	S21124	SCREW #8 X 1/2	8
157	Y-12835	SCREW #6-32 X 1/4	4
158	Y-12641	SCREW SHOULDER #8 X 1/2	2
159	S21127S	SCREW #8-32 X 7/16	14
160	Y-29304	BOLT #10-24 X 3/8	10
161	Y-12310	SCREW 1/4-20 X 3/4	12
162	S21084	SCREW #14 X 5/8	8
167	Y-11981	BOLT 1/4-20 X 1	6
169	S21061	WING NUT	2
171	S15247	MOTOR	1
172	S15509	ELECTRODE	1
173	S21362	SPRING	1
180	S35095	SCREW #10-24 X 5/8	2
181	25030-73	WIRE - BATTERY PACK	1
181A	25070-95	LIGHT SWITCH	1
184	20026-809	BATTERY PACK	1
186	Y-12865	SCREW 1/4-20 X 3/4	14
190	25020-83	WIRE - LED LIGHT	1
191	25020-84	WIRE - LED LIGHT	1

